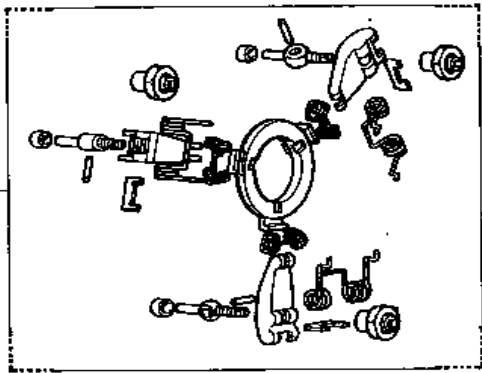


31210
COVER

91611-60818



31222K
LEVER KIT

31221A
SPRING

31250
DISC

31221
PLATE

31201
COVER

90204-08038

90109-08027

31224
PLATE

31226B
BUSH

31224A
SPRING

31226A
PIN

31226
BOLT

31217
PLATE

31222D
SPRING

31222E
NUT

31232
CLIP

31231
HUB

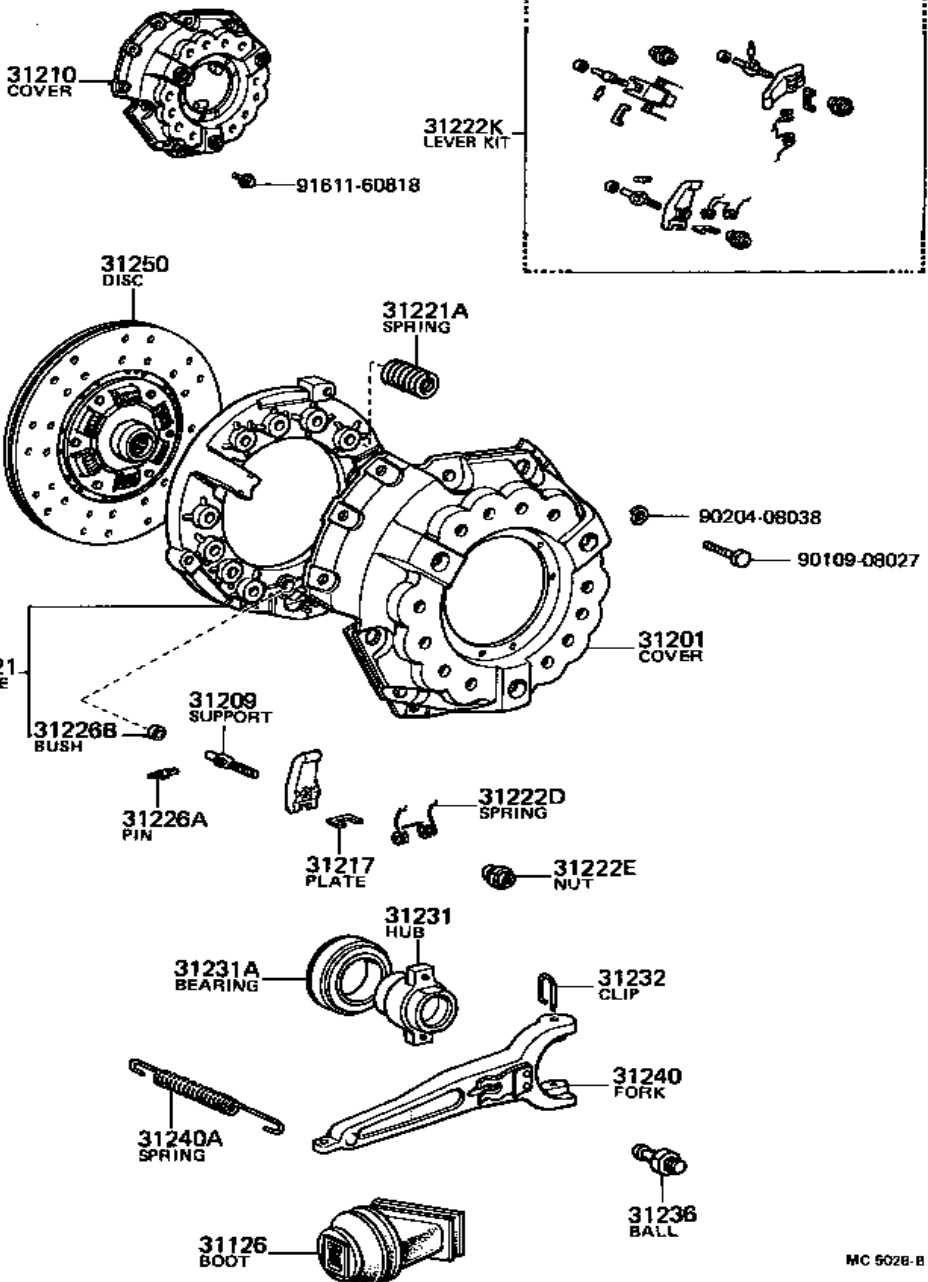
31240
FORK

31231A
BEARING

31236
BALL

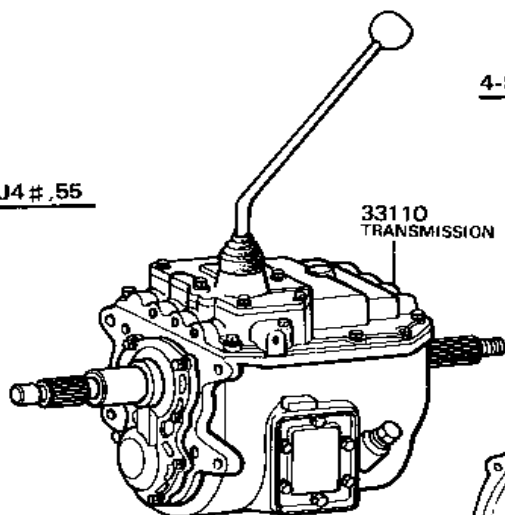
31240A
SPRING

31126
BOOT

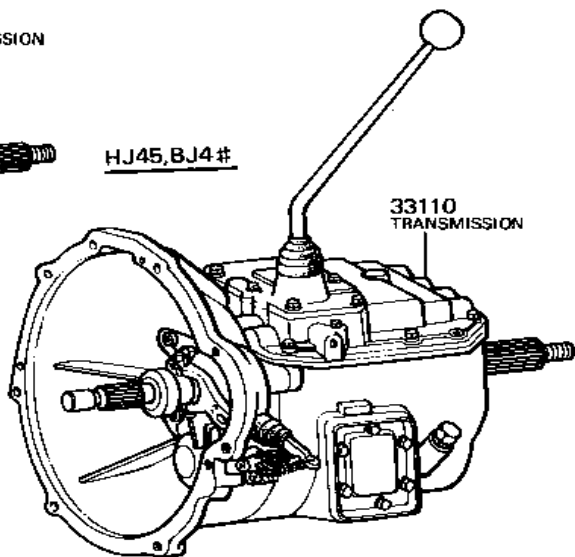


4-Speed Transmission (H41)

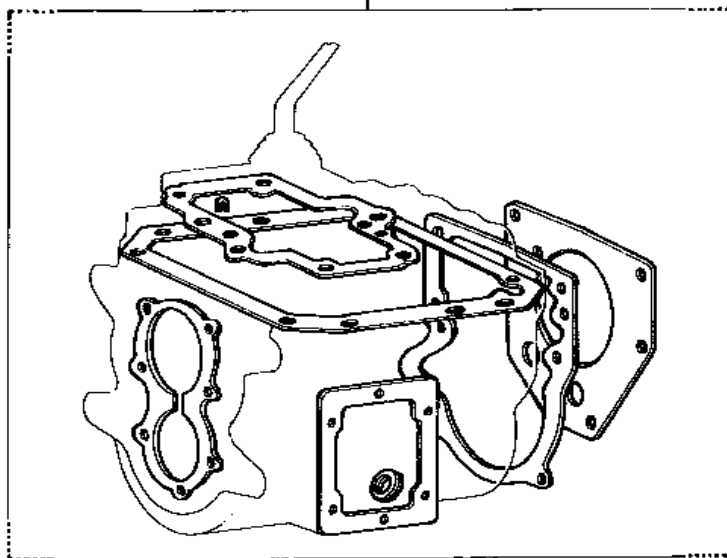
FJ4 # ,55



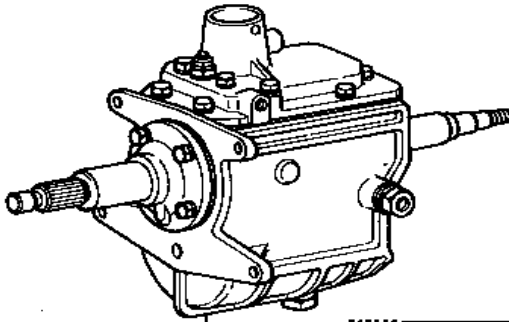
HJ45,BJ4 #



33110K
GASKET KIT

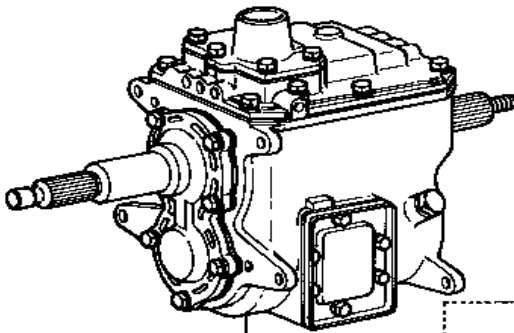
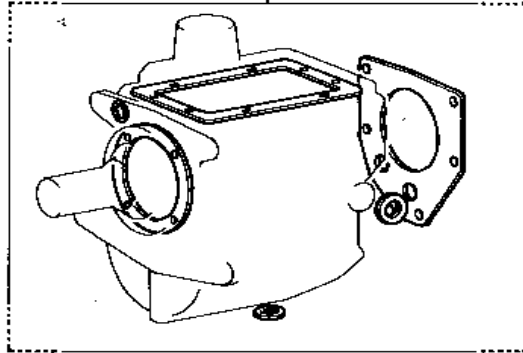


3-Speed Transmission (J30)



33110
TRANSMISSION

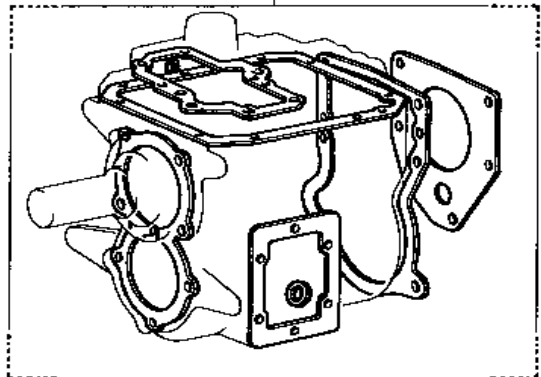
33110K
GASKET KIT



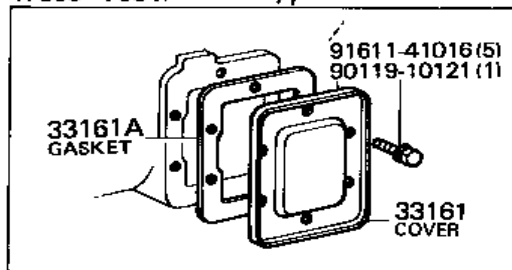
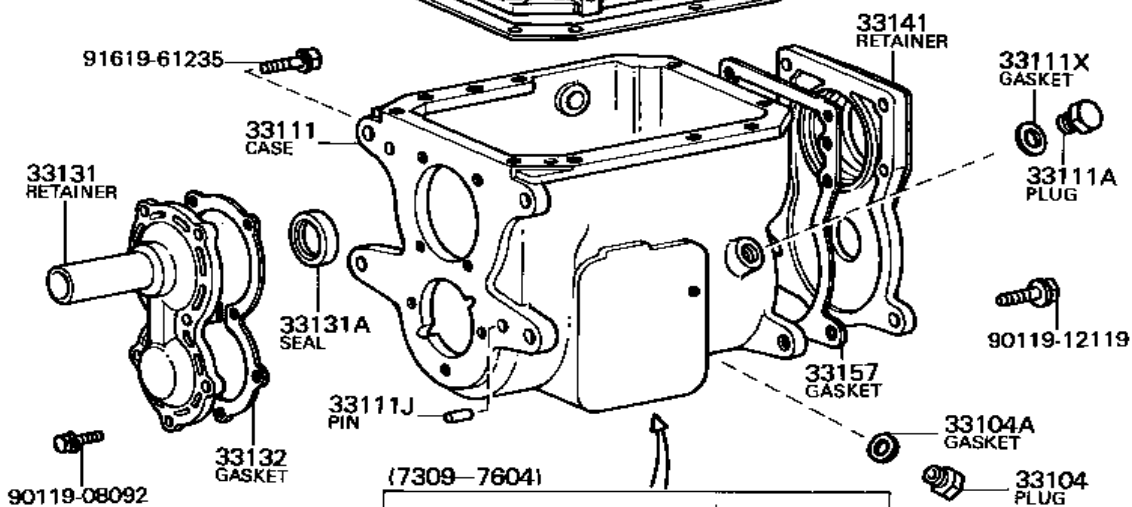
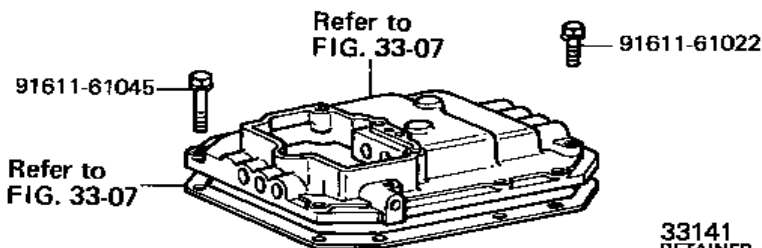
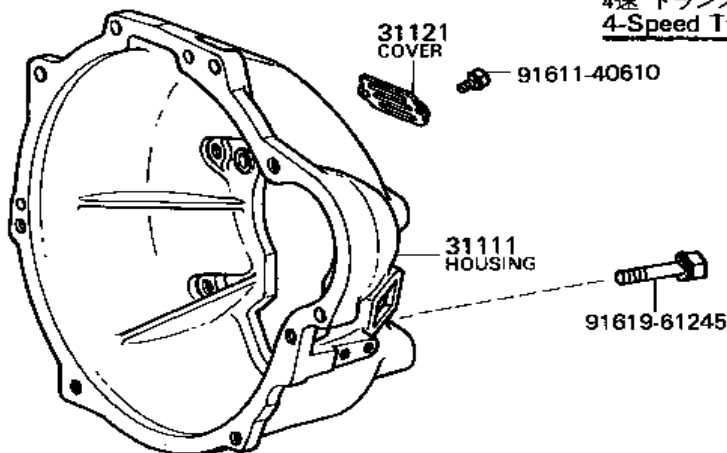
33110
TRANSMISSION

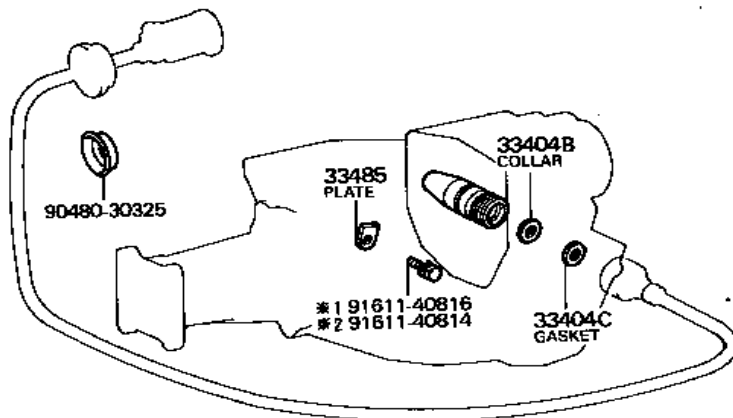
4-Speed Transmission (H41)

33110K
GASKET KIT

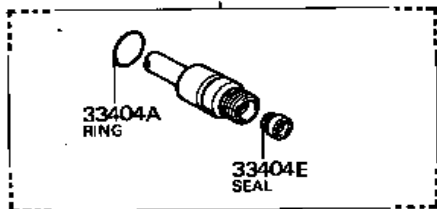


4速 トランスミッション
4-Speed Transmission (H41)



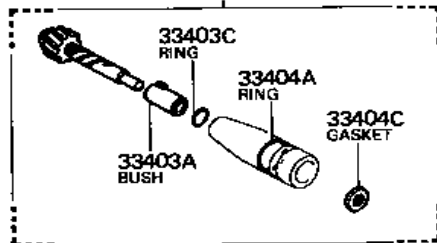


*2 33404 SLEEVE

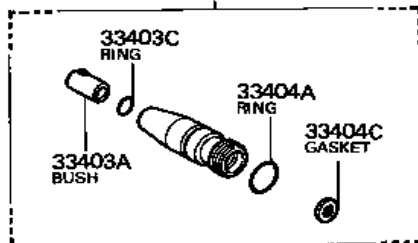


*1 (-7811)
*2 (7811 -)

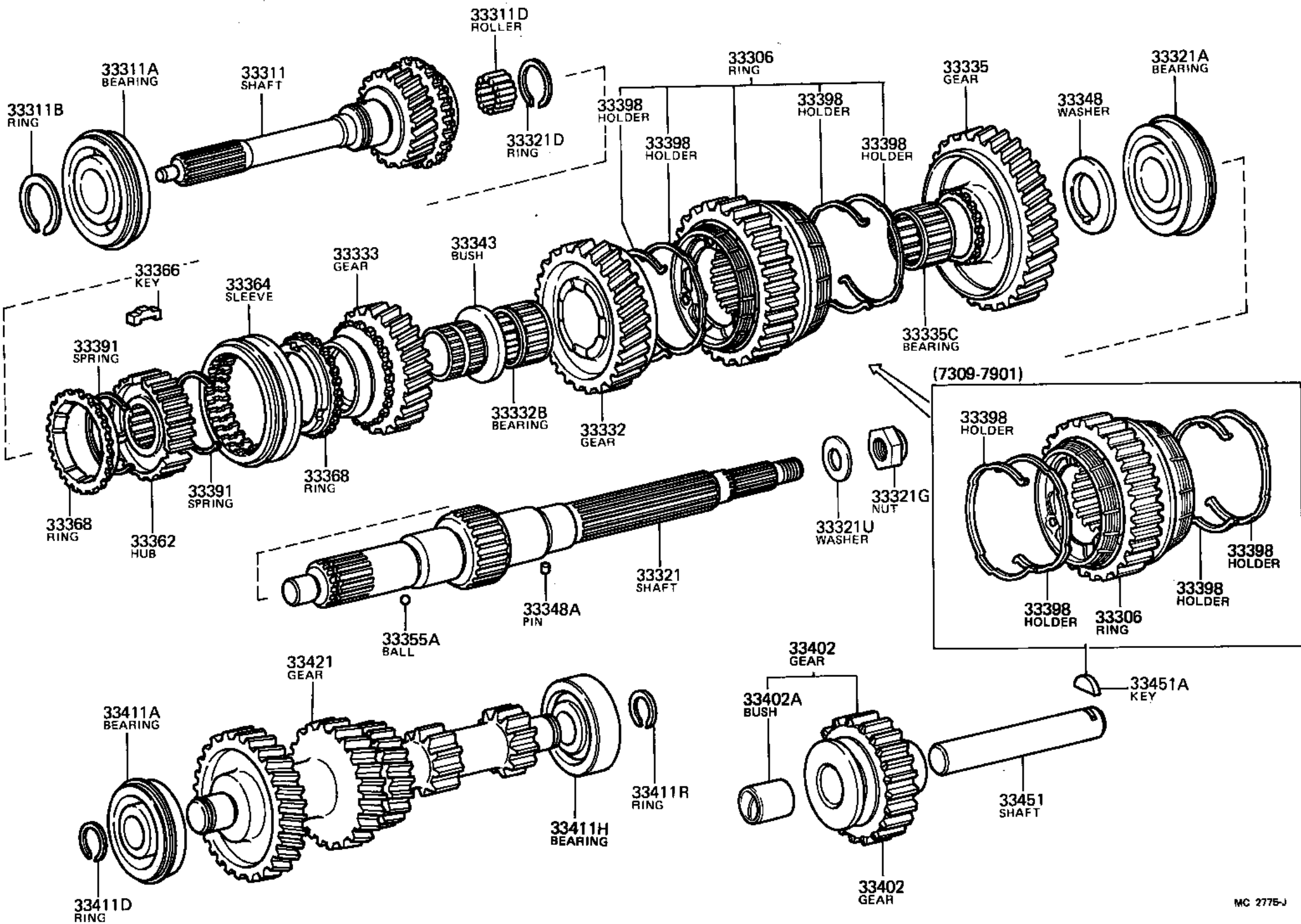
33403 GEAR



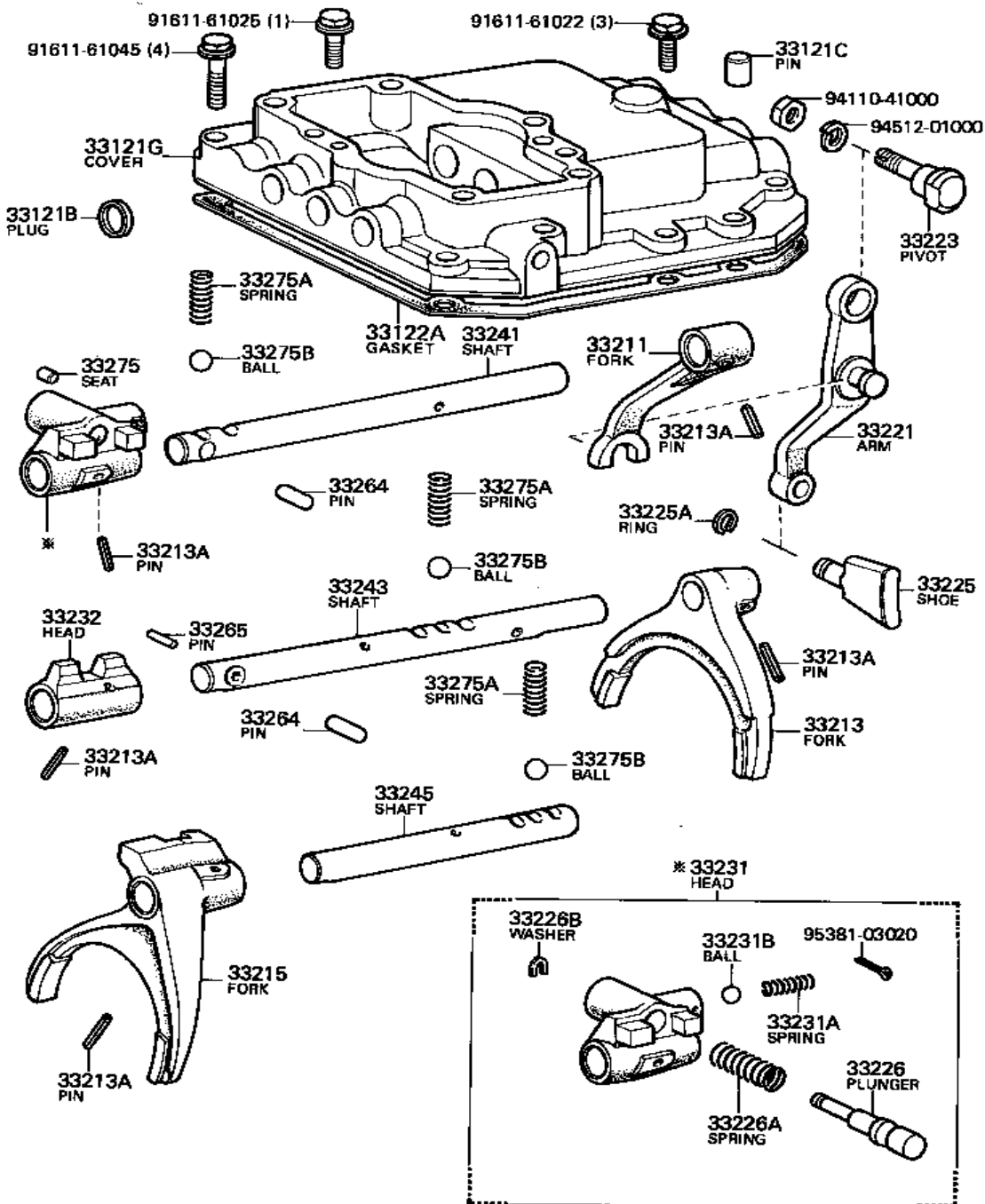
*1 33404 SLEEVE



90461-08002	90461-08008	90463-08432	90461-10101	90461-10883	90461-10875	90461-10432

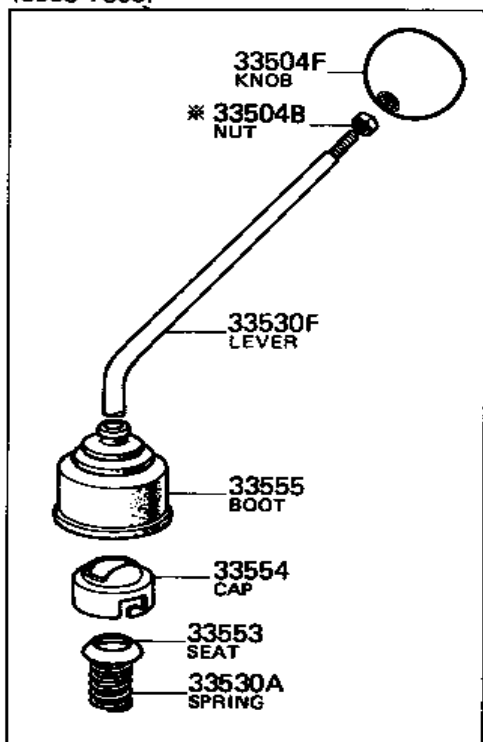


4-Speed Transmission (H41) (H42)

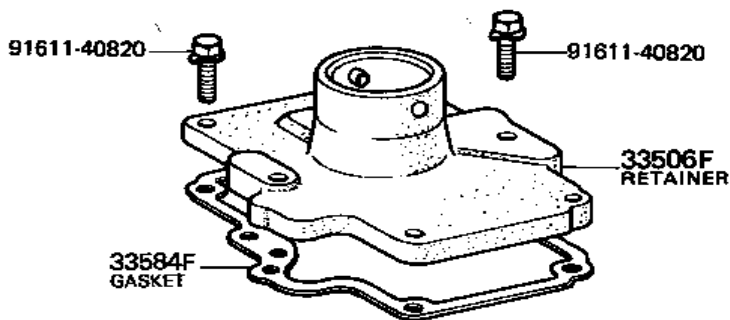
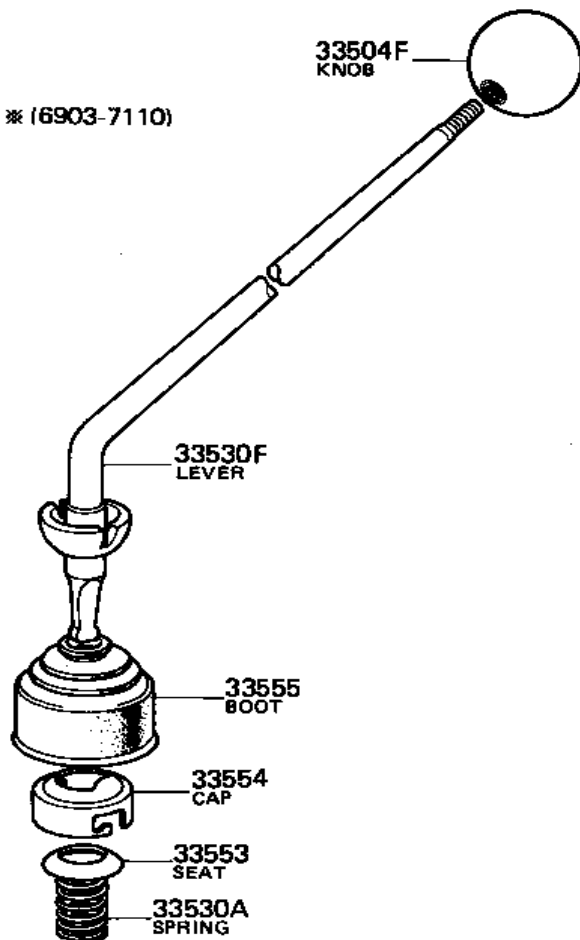


4-Speed Transmission

(6903-7309)

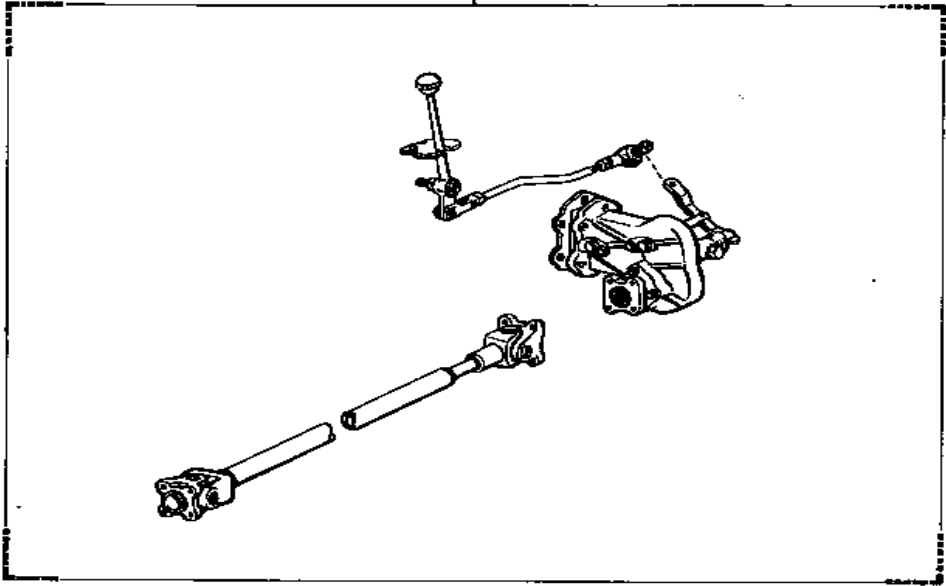


* (6903-7110)

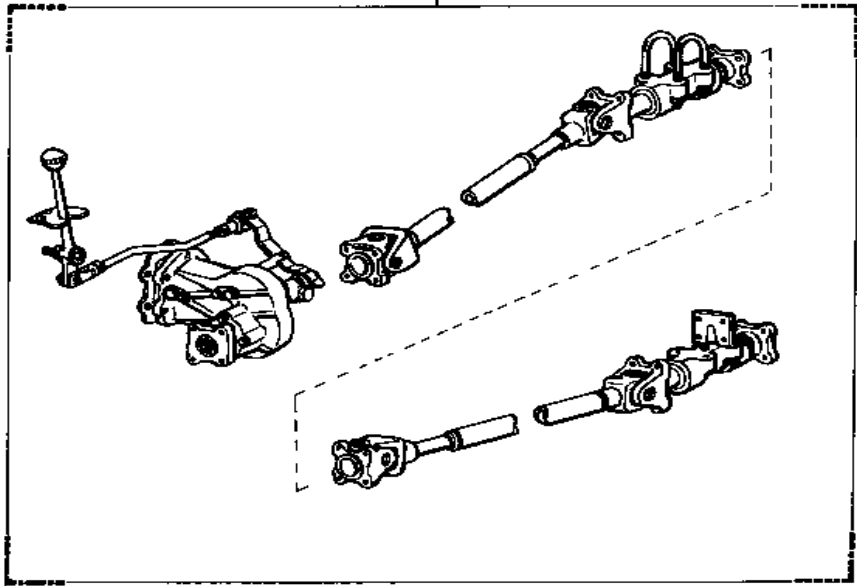


MC 2777-D

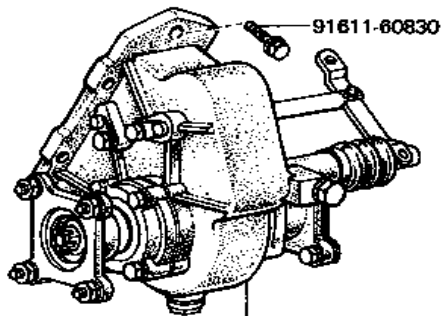
36610K
POWER TAKE-OFF AND DRIVE SHAFT KIT



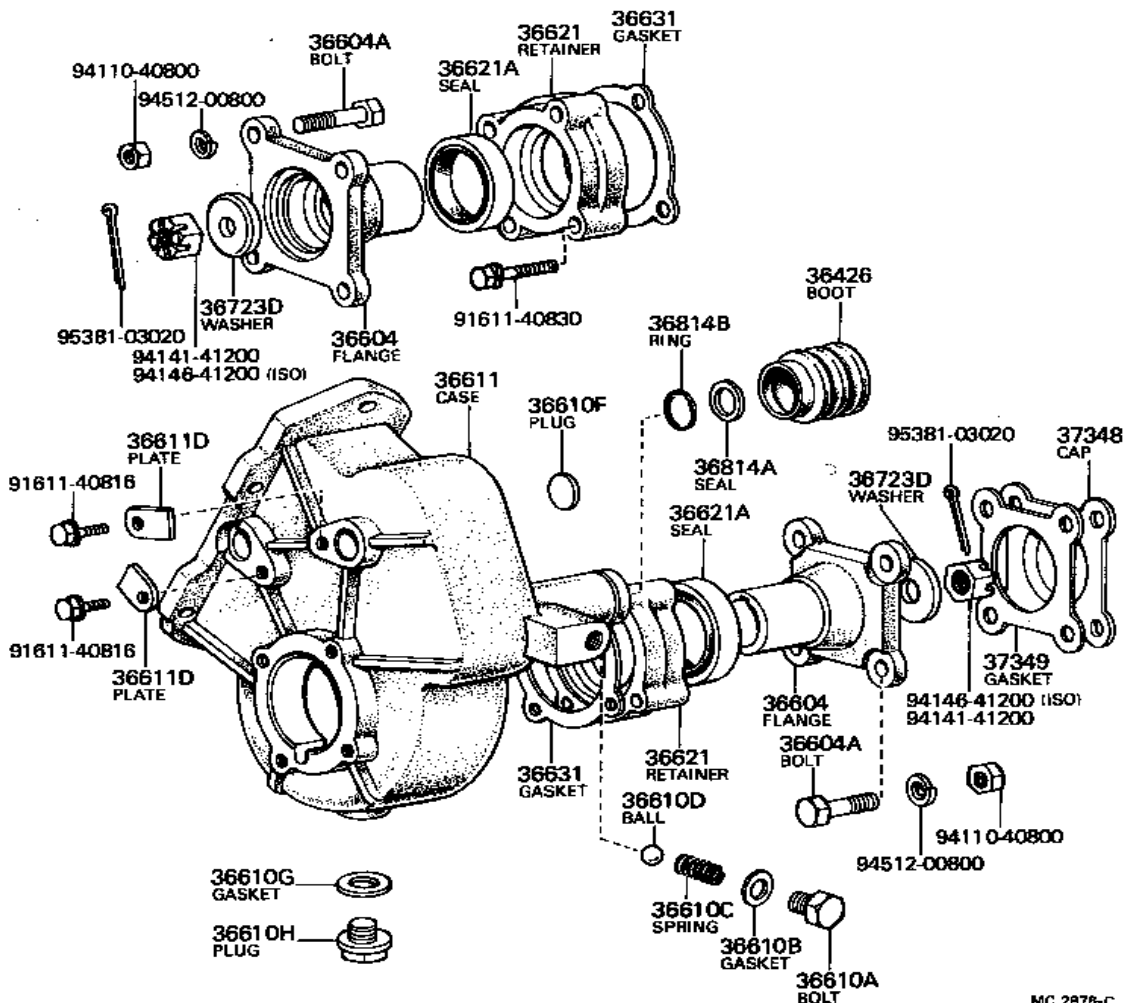
36610L
POWER TAKE-OFF AND DRIVE SHAFT KIT



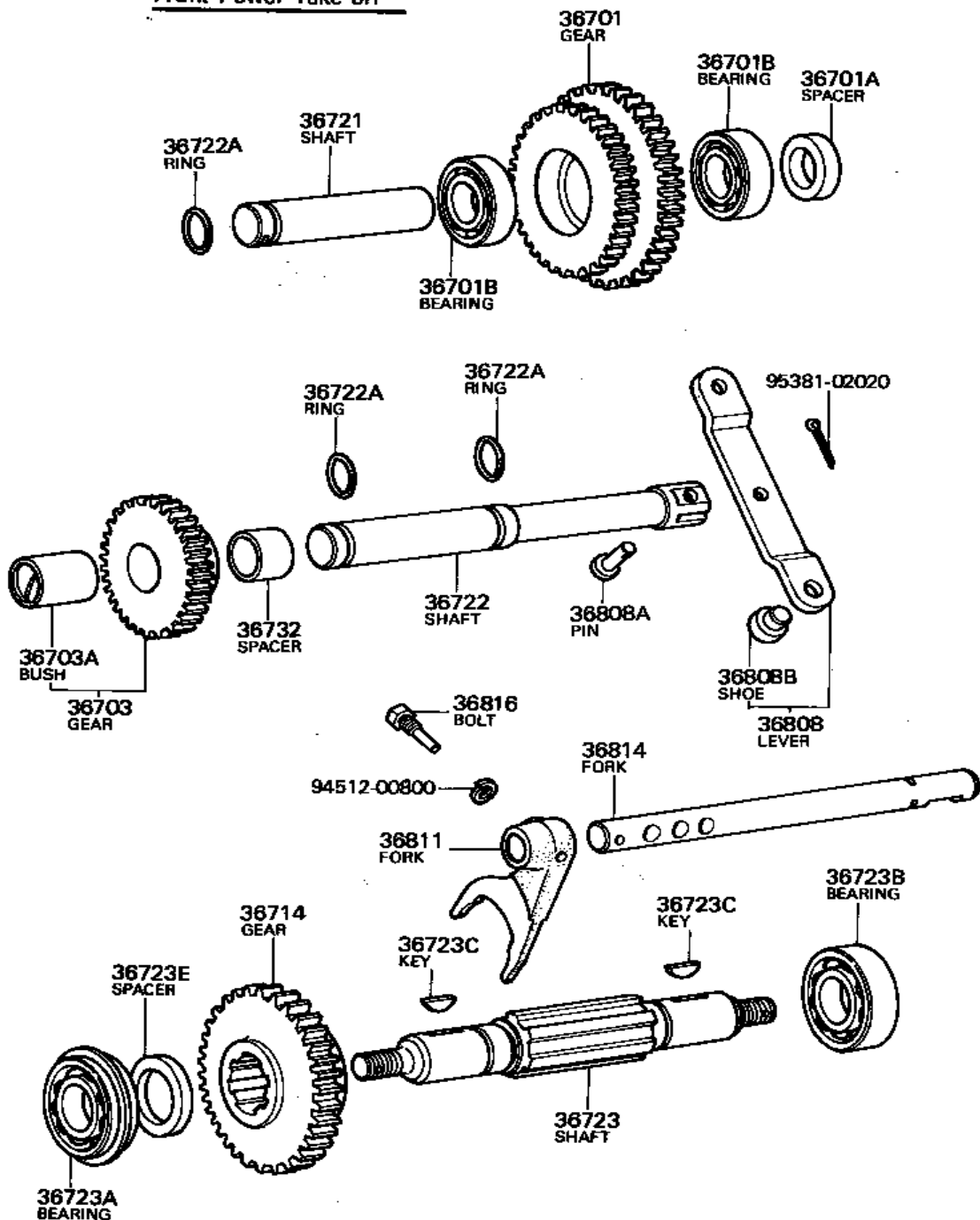
Front Power Take-off



36610
POWER TAKE-OFF



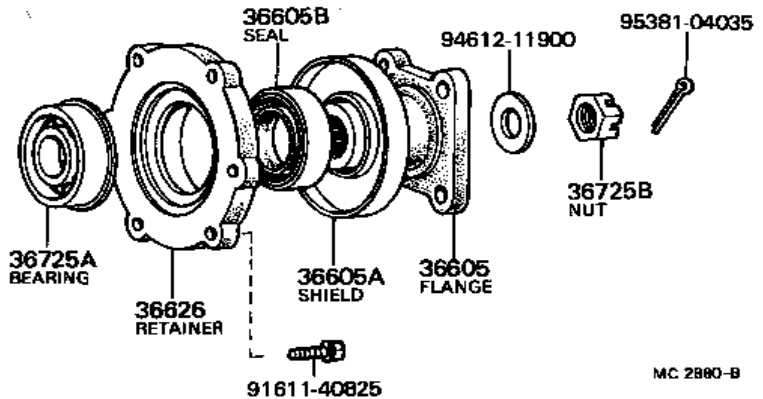
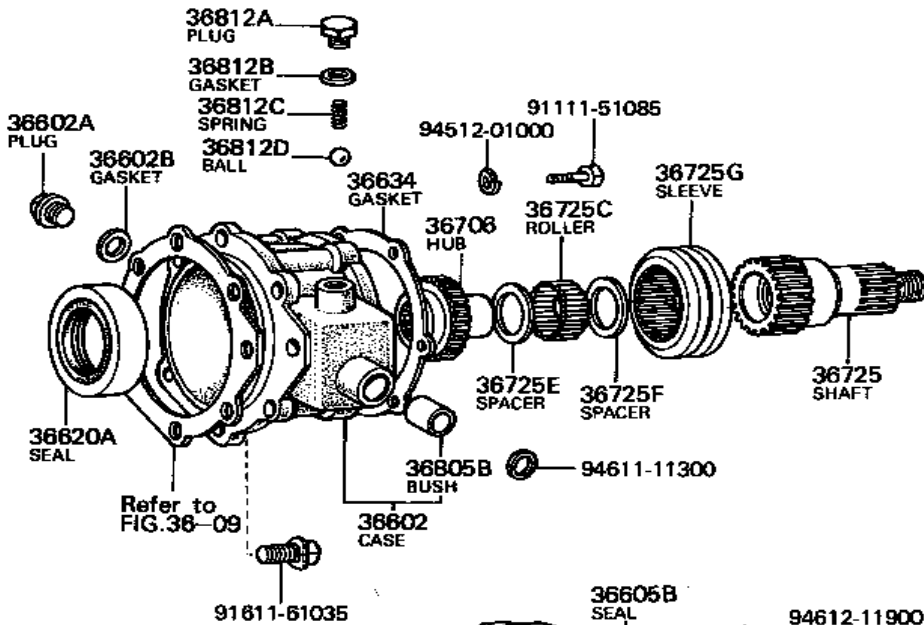
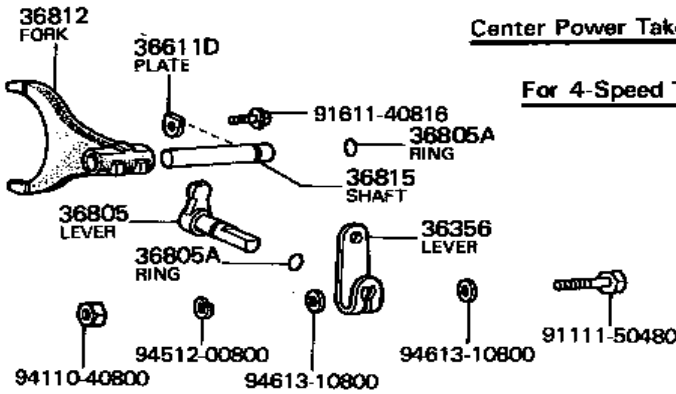
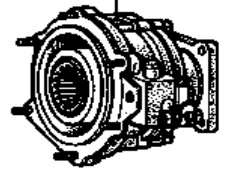
Front Power Take-off



Center Power Take-off

For 4-Speed Transmission

36620
POWER TAKE-OFF



フロント パワー テークオフ
Front Power Take-off

94110-41000

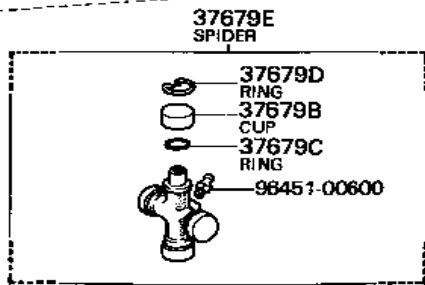
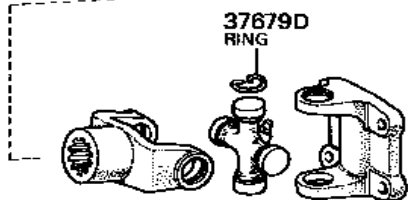
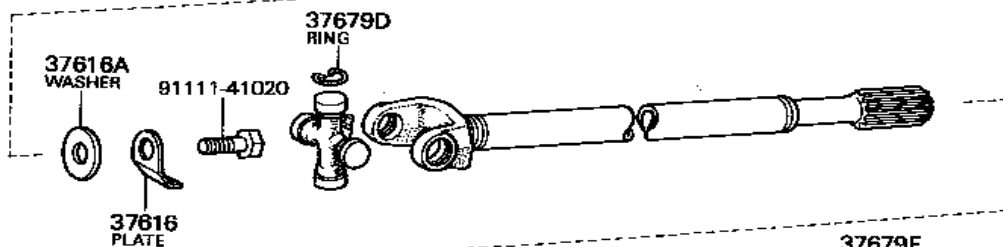
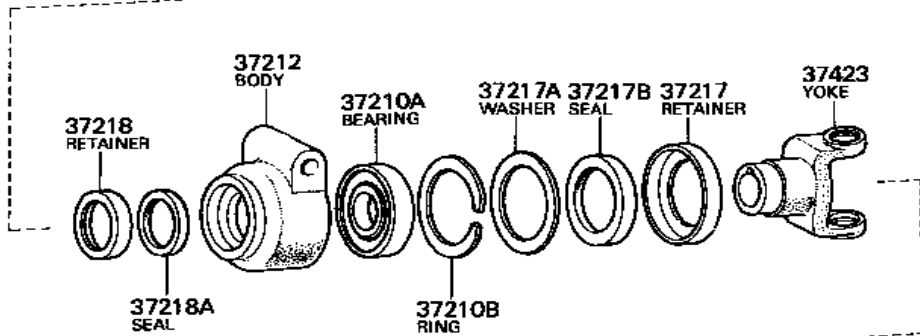
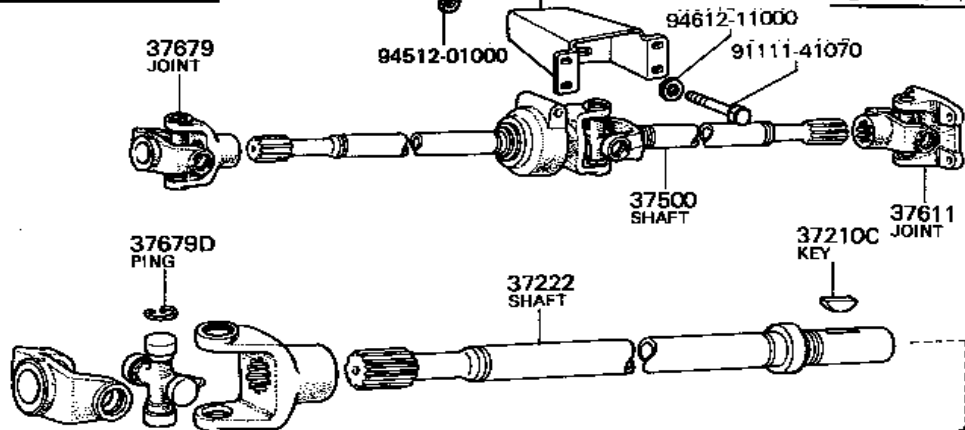
91651-40825 ※1
91616-40820 ※2

※1 BJ4 #

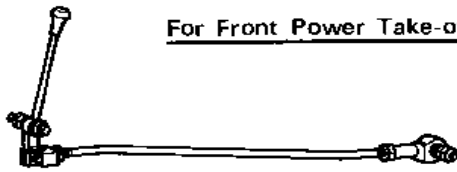
※2 FJ5 #

※1 FJ4#, BJ4 #

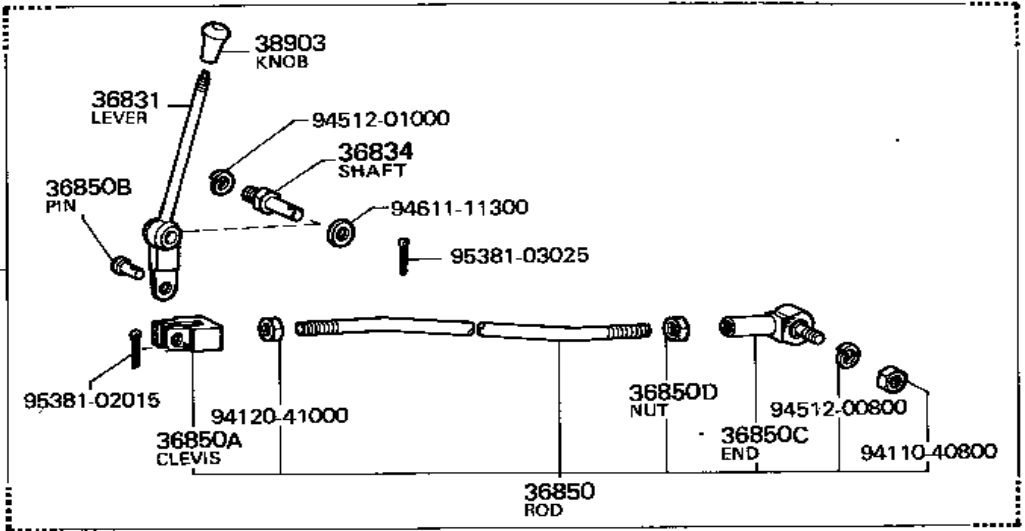
※2 FJ45, 55, HJ45



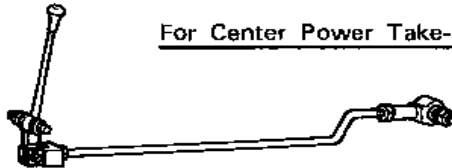
For Front Power Take-off



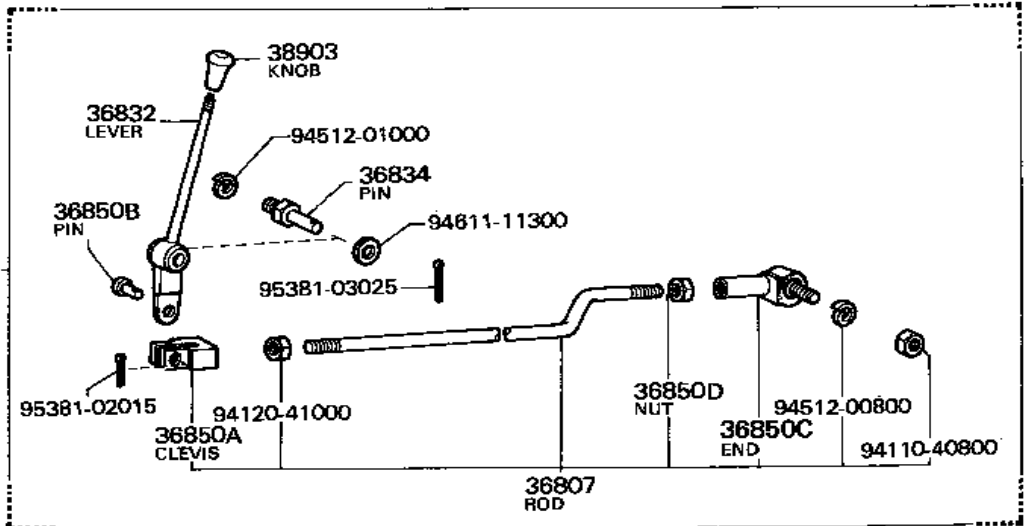
36810
LINK

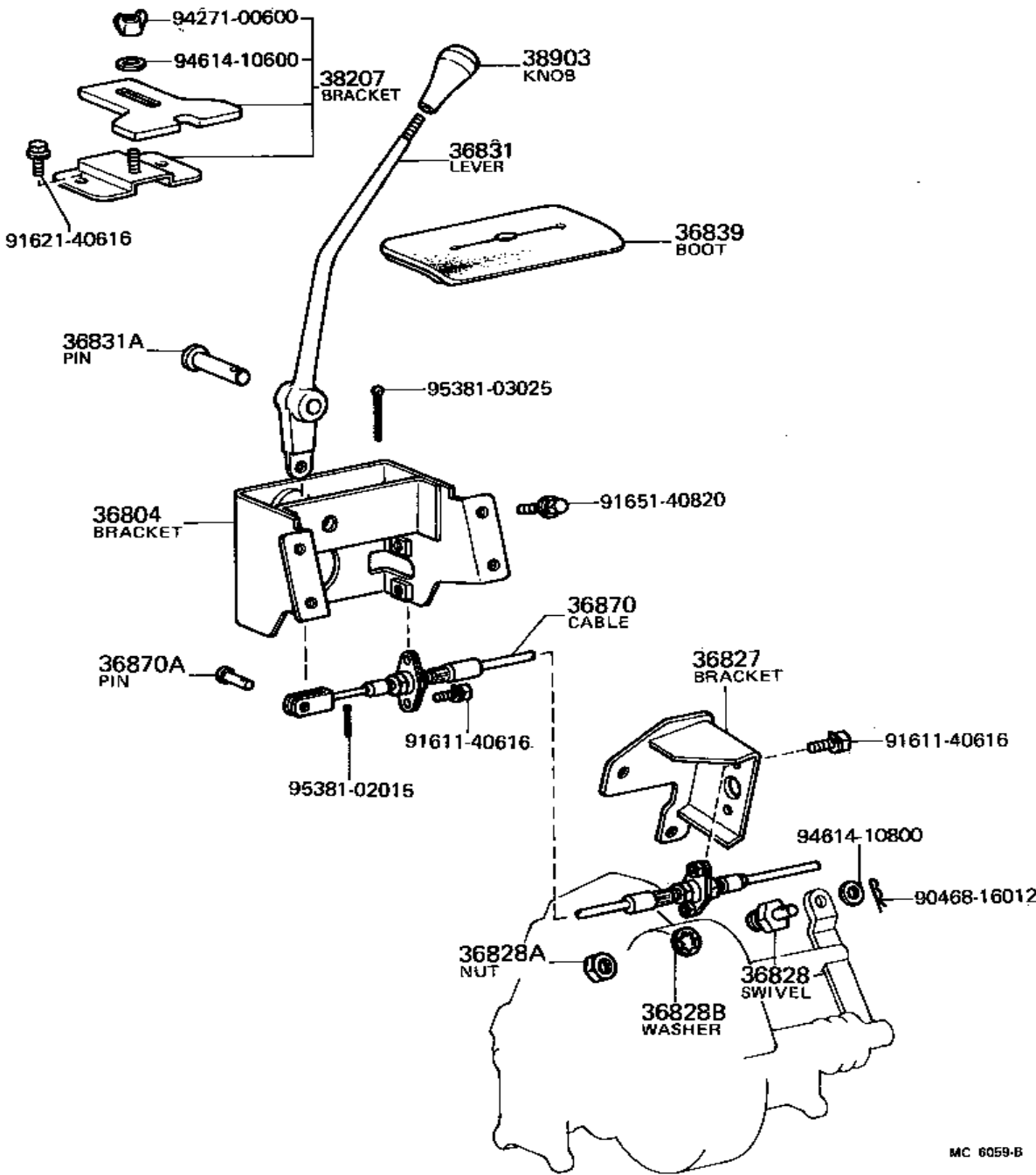


For Center Power Take-off



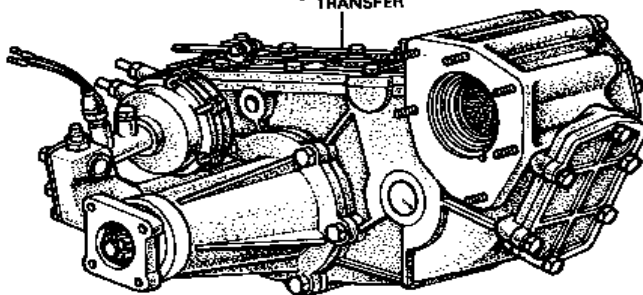
36820
LINK





- ※1 Vacuum Type
- ※2 Direct Type
- ※3 Magnet Type

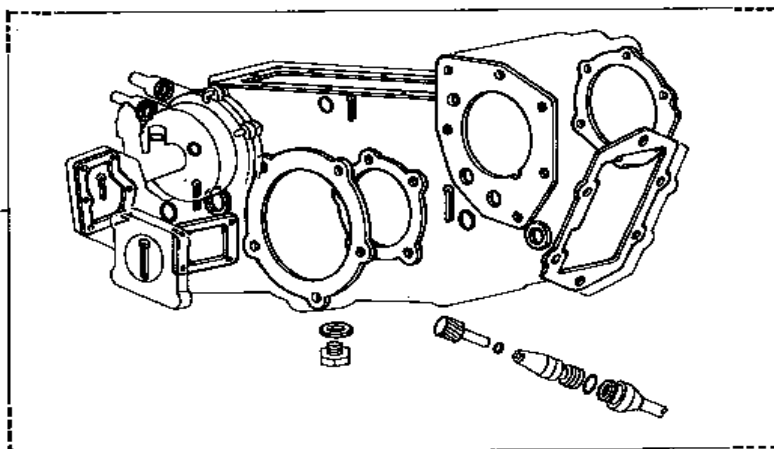
※1 36100
 ※2 38200
 ※3 36300
 TRANSFER



Vacuum Type

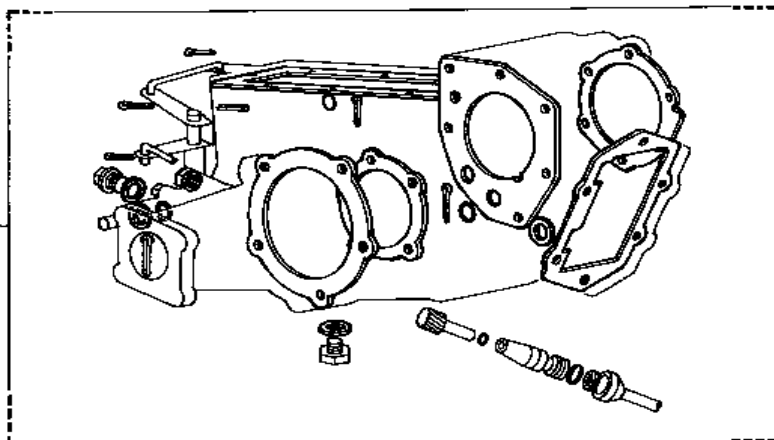
Magnet Type

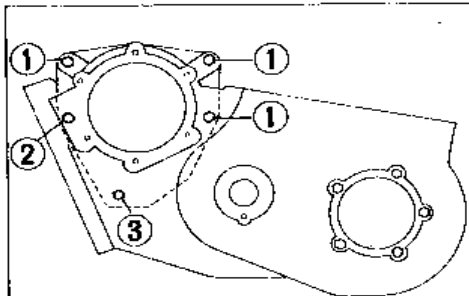
36100K
 GASKET KIT



Direct Type

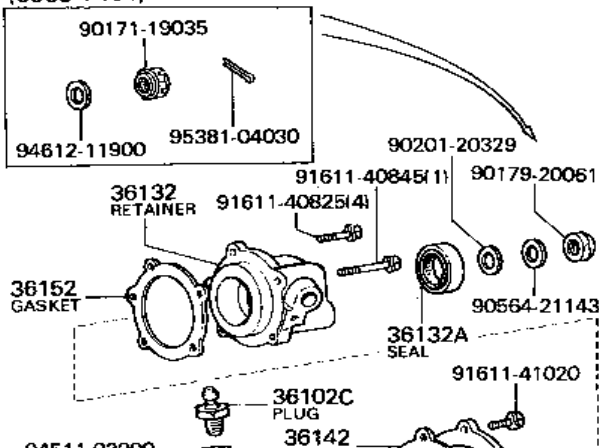
36100K
 GASKET KIT



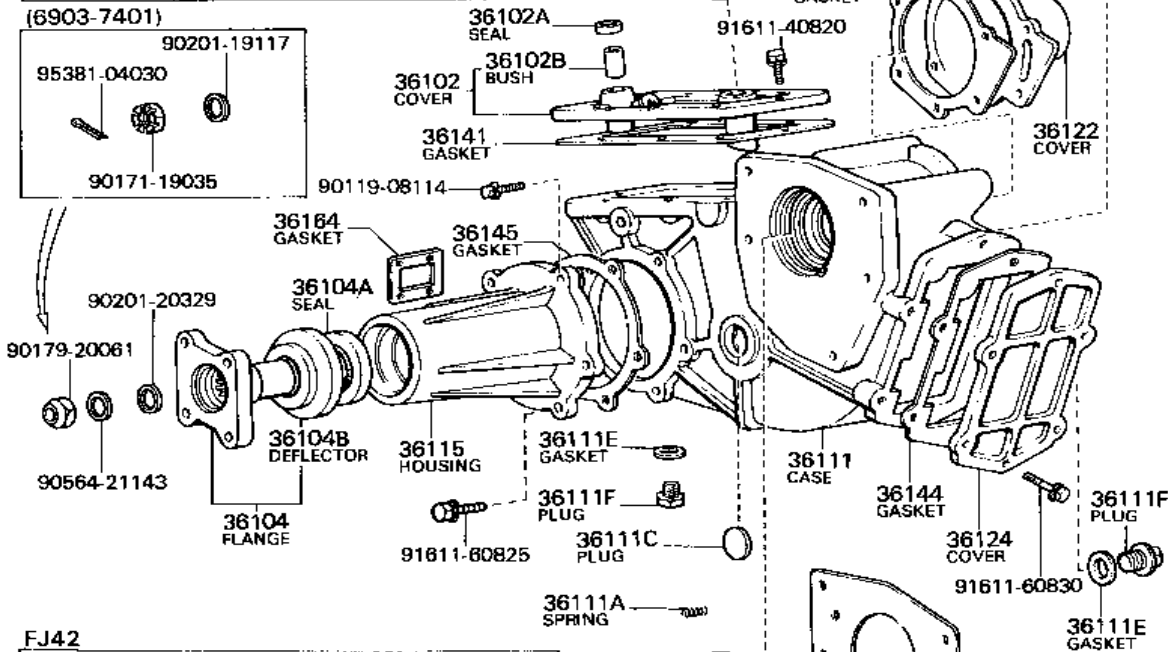
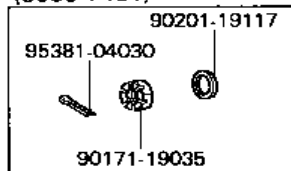


	BOLT		WASHER
	3-SPEED T/M	4-SPEED T/M	
1	90101-12317	90101-12408	94512-01200
2	91619-61240	91619-61255	
3	91619-61240	91619-61228	

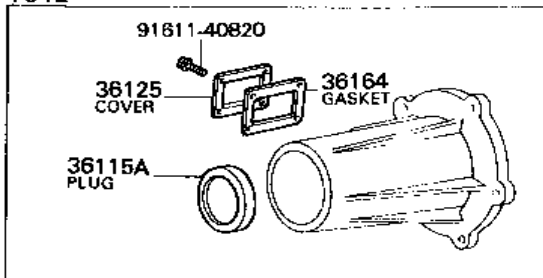
(6903-7401)

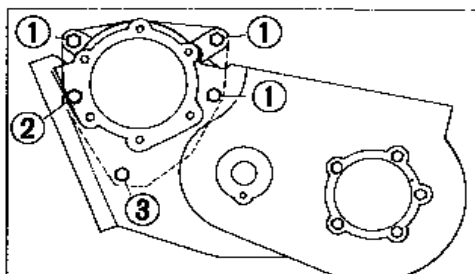


(6903-7401)

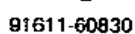
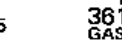
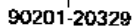
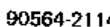
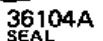
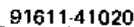
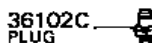
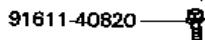
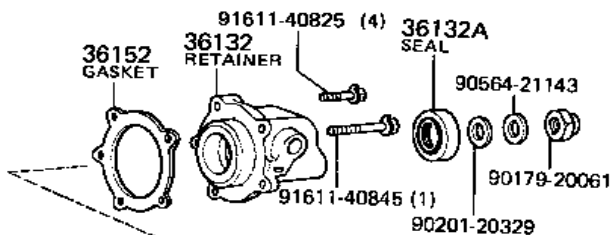


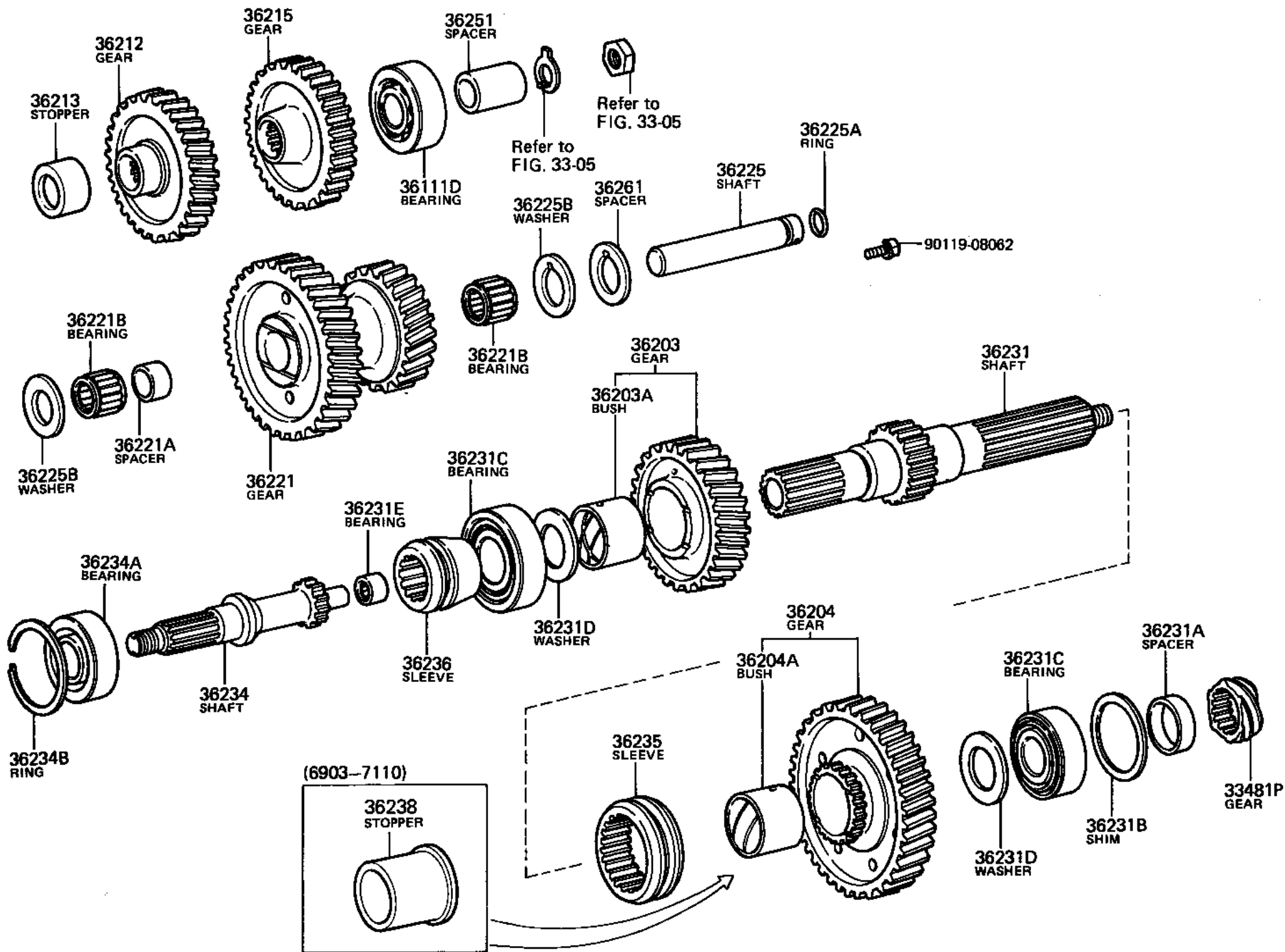
FJ42



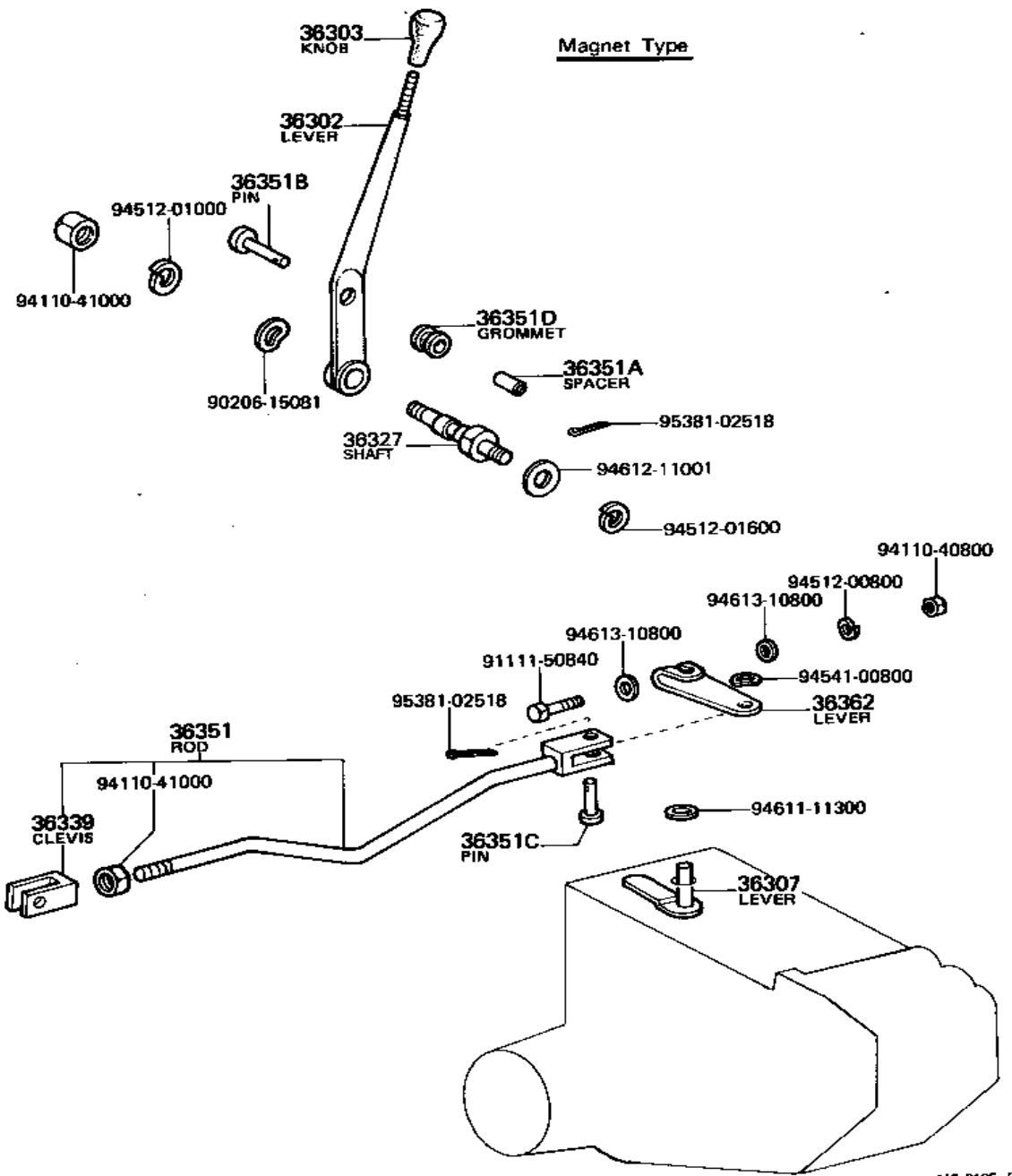


BOLT		WASHER
3-SPEED T/M	4-SPEED T/M	
1 90101-12317	90101-12408	94512-01200
2 91619-61240	91619-61255	
3 91619-61240	91619-61228	

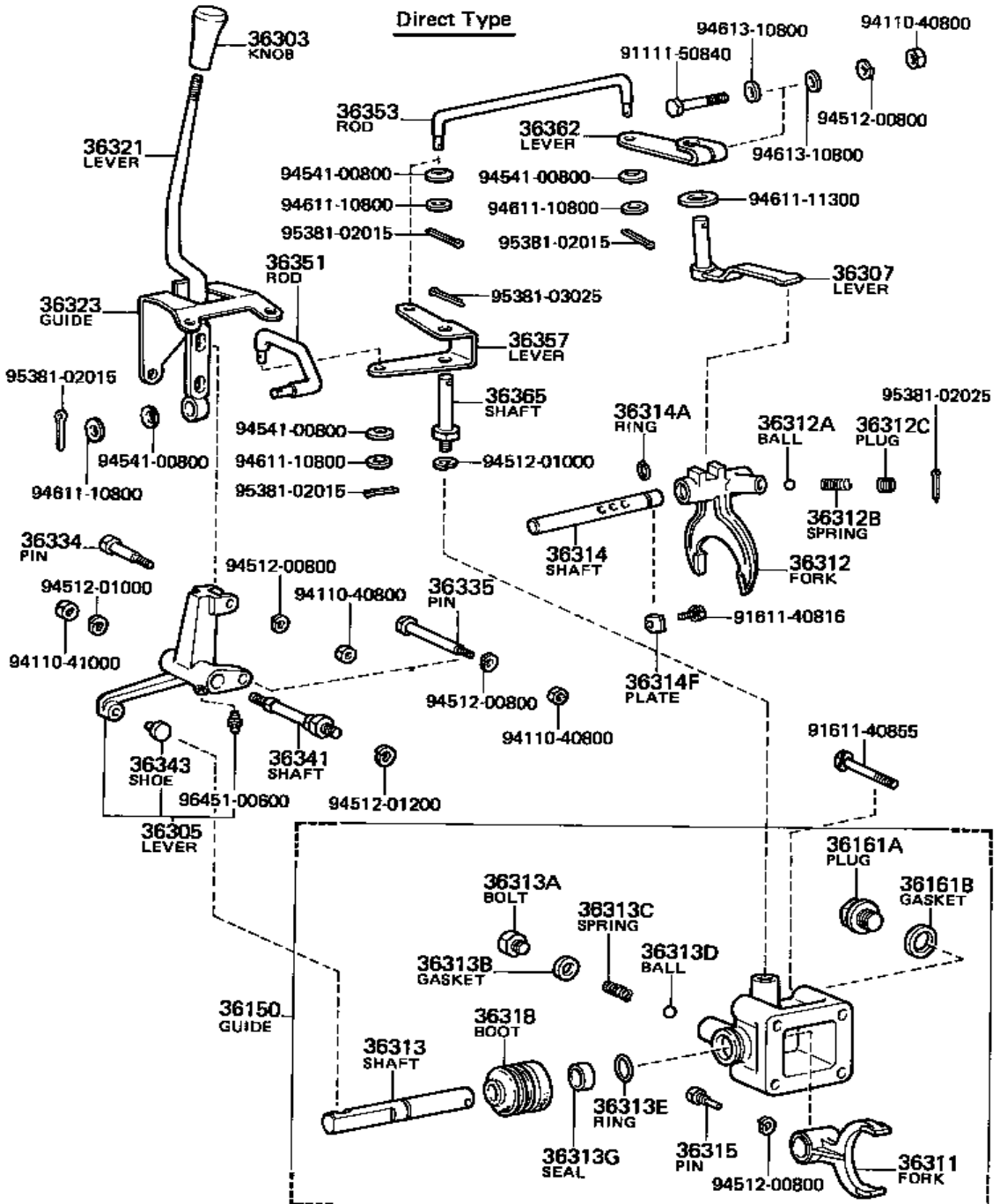


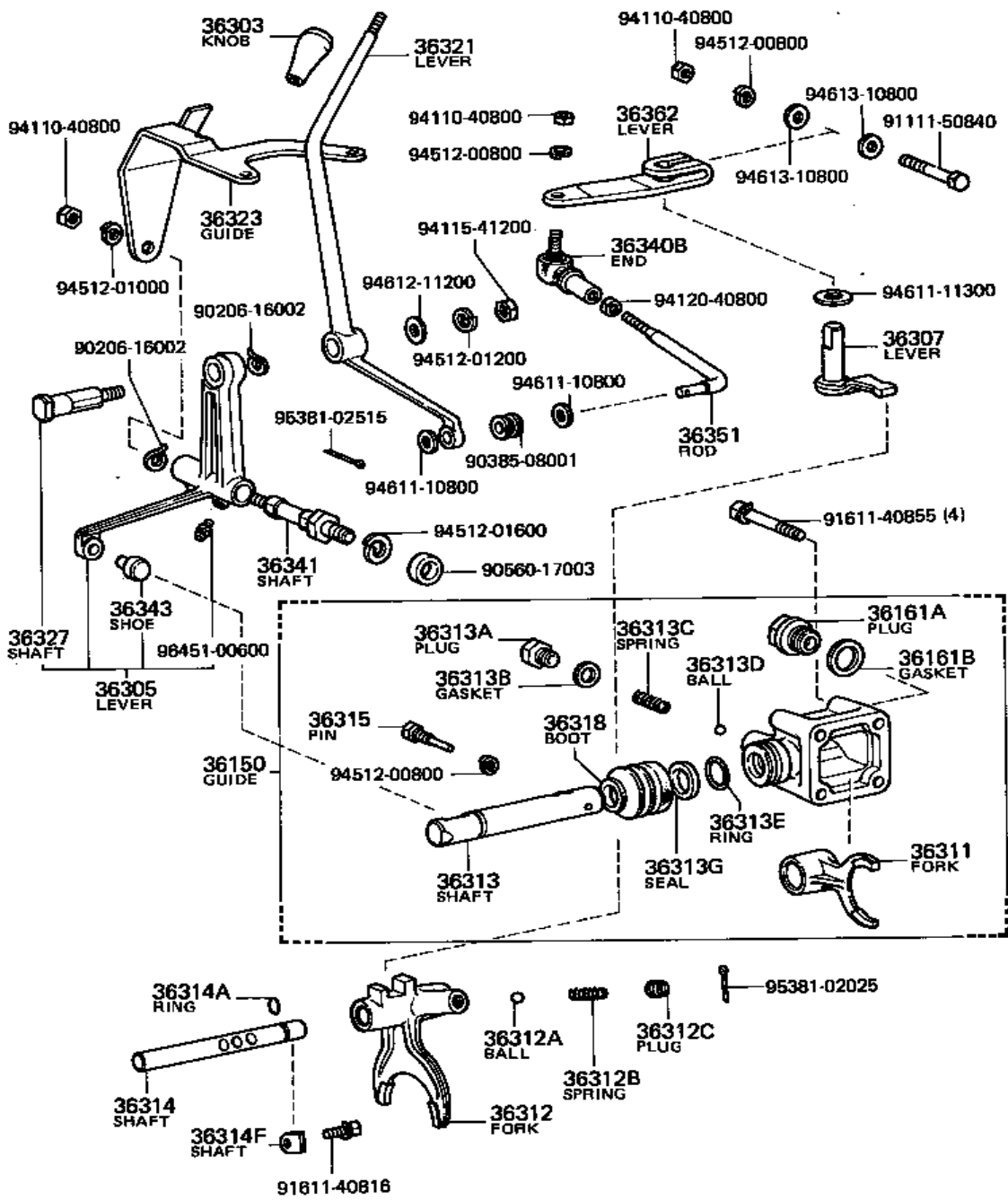


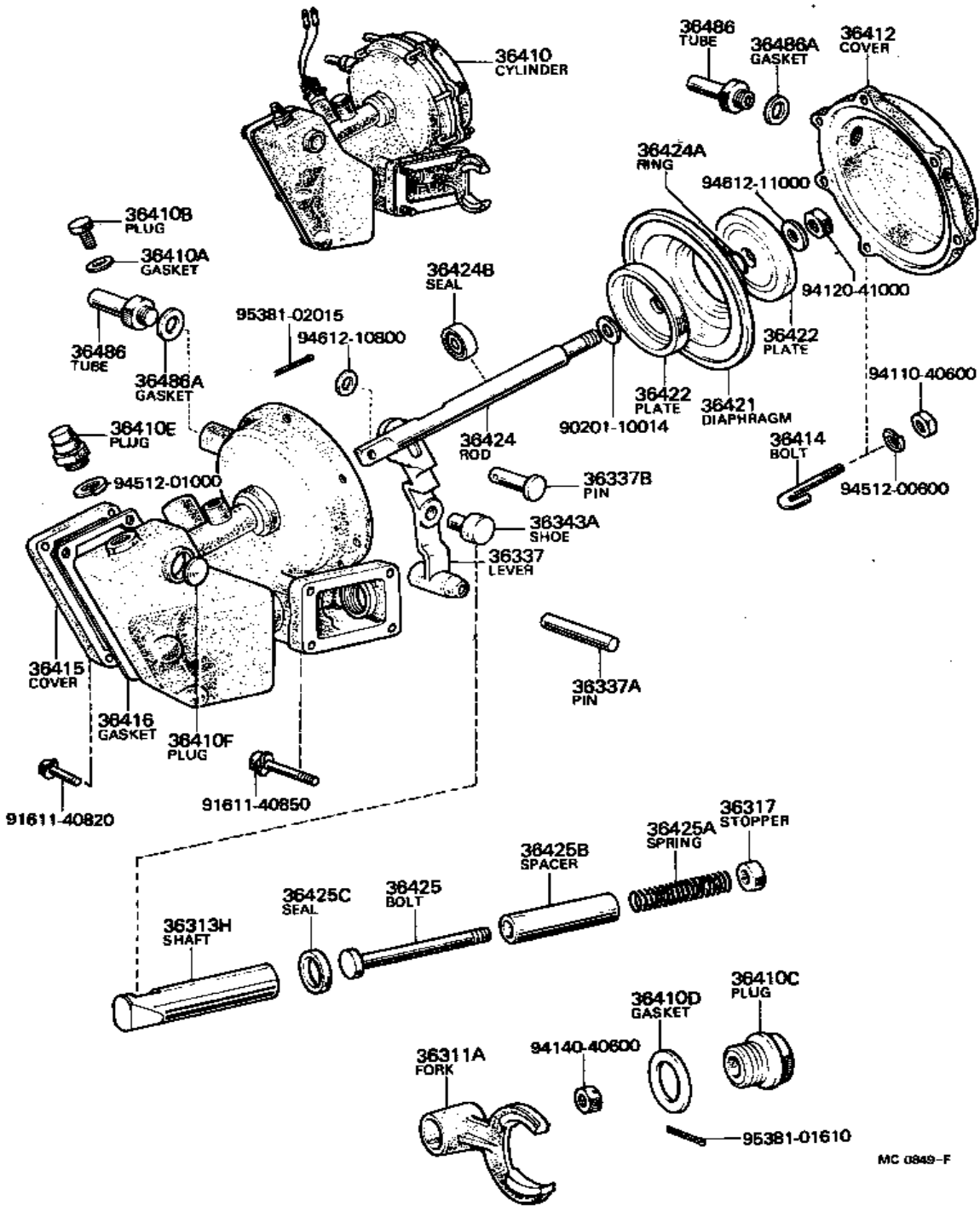
Magnet Type



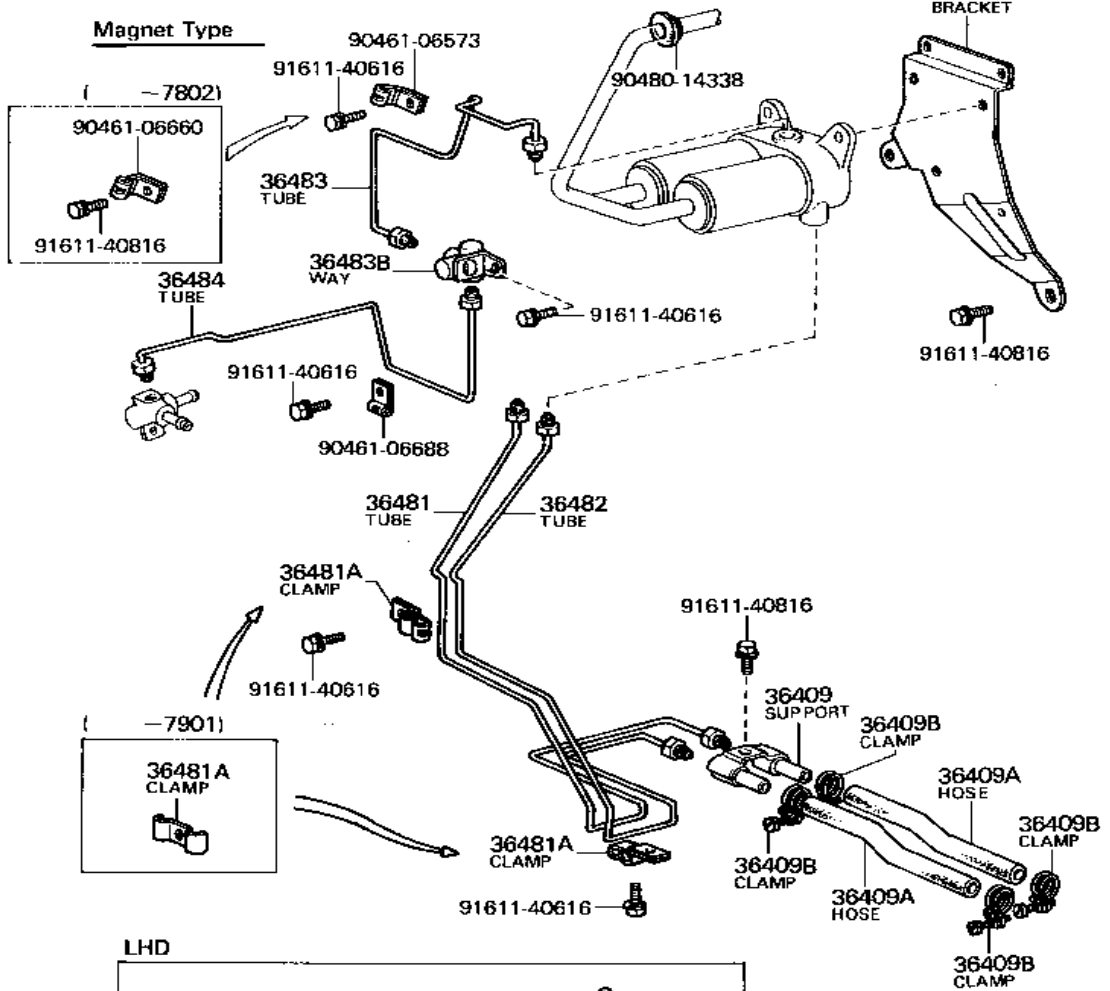
Direct Type



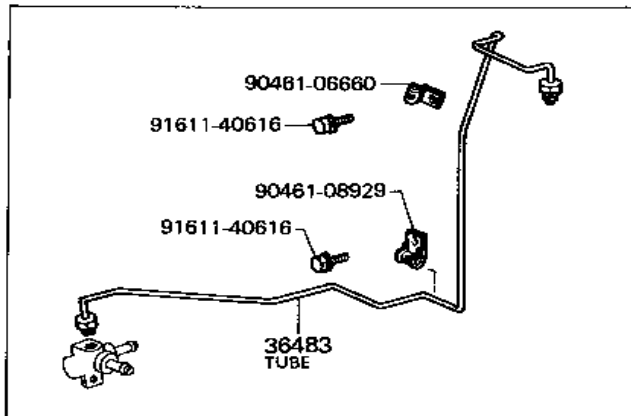




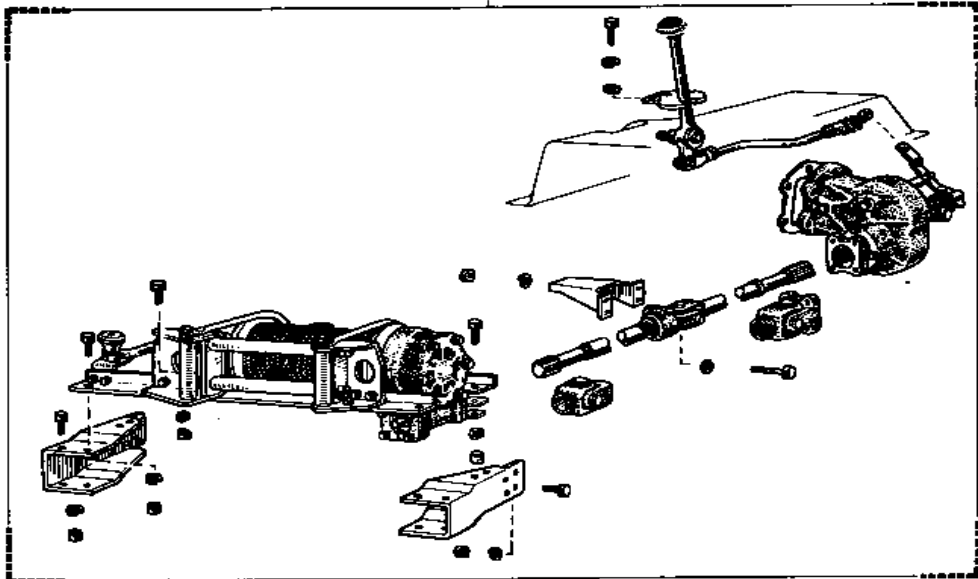
Magnet Type



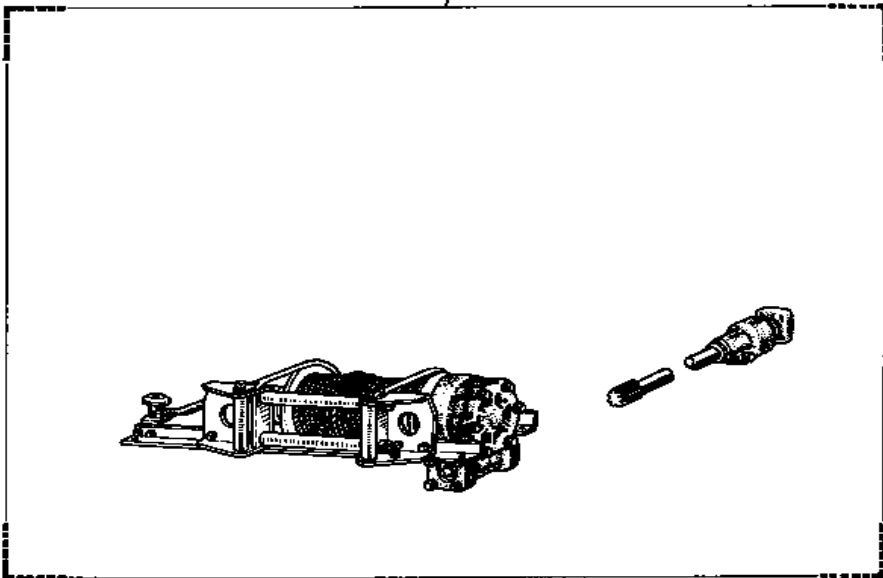
LHD



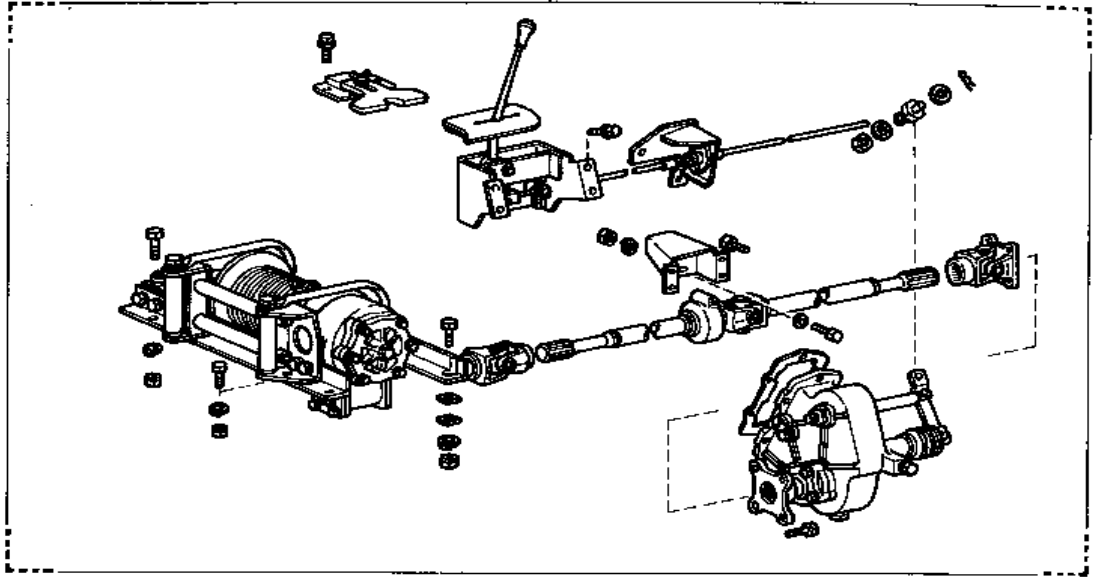
**38110K
POWER TAKE-OFF AND WINCH KIT**

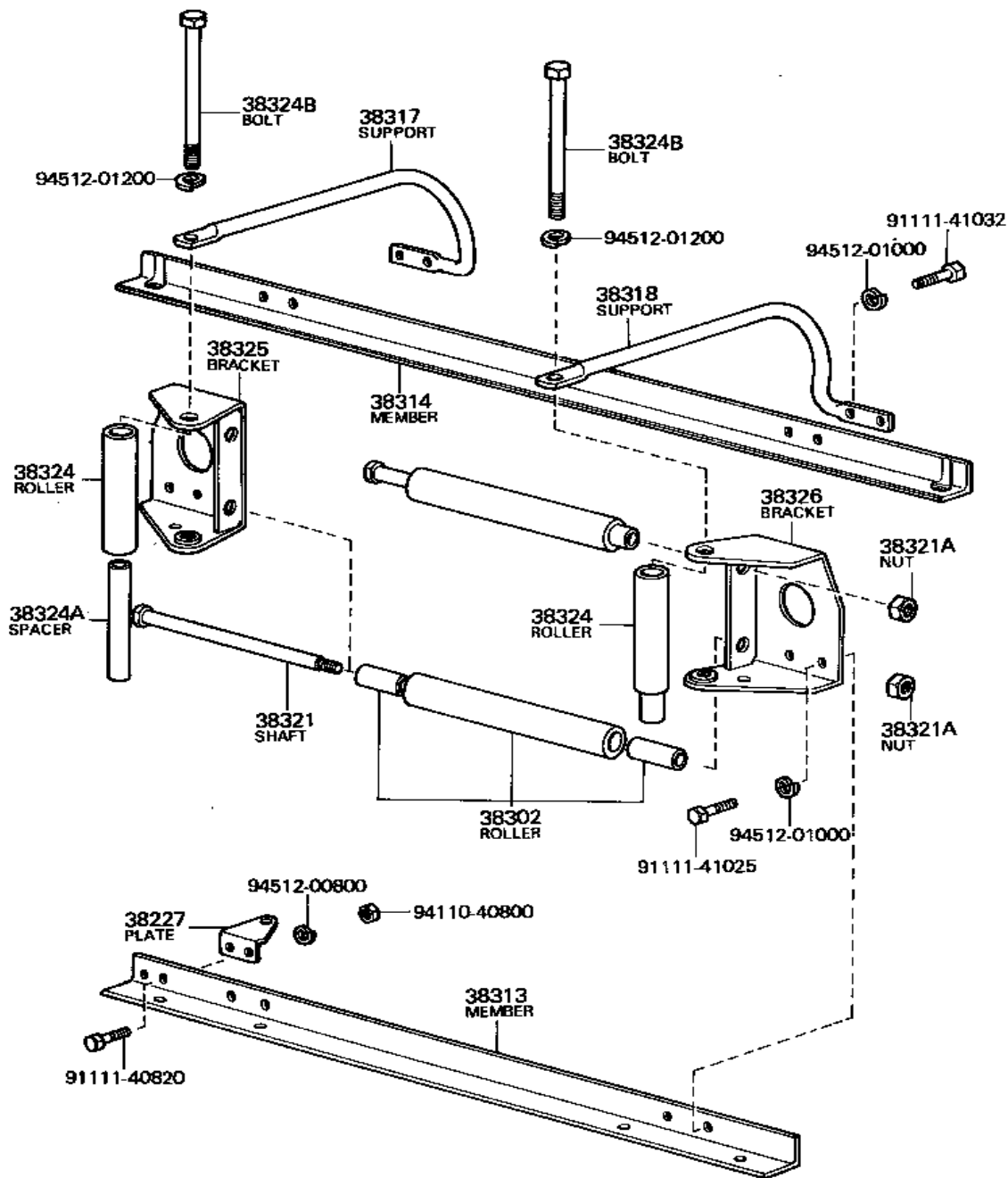


**38110L
WINCH KIT**



38110K
POWER TAKE-OFF AND WINCH KIT





38340
WIRE

*1 FJ55,56
*2 FJ40,43,45,HJ45,BJ40,43

38110
WINCH

*1 91161-51225
*2 91161-51260

38143
LOCK

91111-40816

91111-51025

94512-01000

94110-41000

38101
CASE

38101B
PLUG

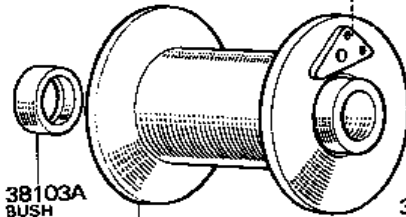
94512-01200

94115-41200

94110-40800

38333
SPACER

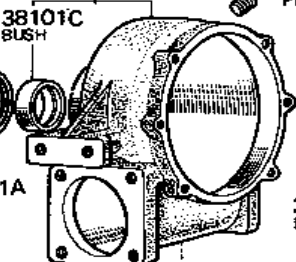
38335
SPACER



38103A
BUSH

38103
DRUM

38101A
SEAL



38101C
BUSH

38101B
PLUG

38121
GASKET

38105D
BUSH

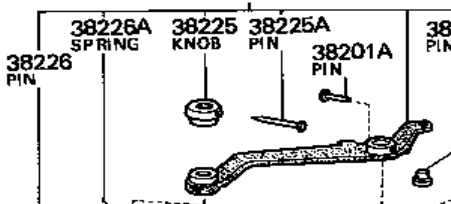
38105
COVER

38105A
PLUG

94512-00800

91111-40825

38201
LEVER



38226
PIN

38226A
SPRING

38225
KNOB

38225A
PIN

38201A
PIN

38201B
PIN

38201B
PIN

38231
SHOE

38233
PLATE

93229-15012

38211A
KEY

38131A
KEY

38301A
BUSH

38301
BRACKET

38213
SPACER

38211A
KEY

38211
CLUTCH

38213
SPACER

38133
SHAFT

38131
GEAR

38201B
PIN

38222
LEVER

38222A
SPRING

38135C
PIN

38123
SHIM

38113
RETAINER

38123
SHIM

38135A
SEAL

38135B
BEARING

38135A
SEAL

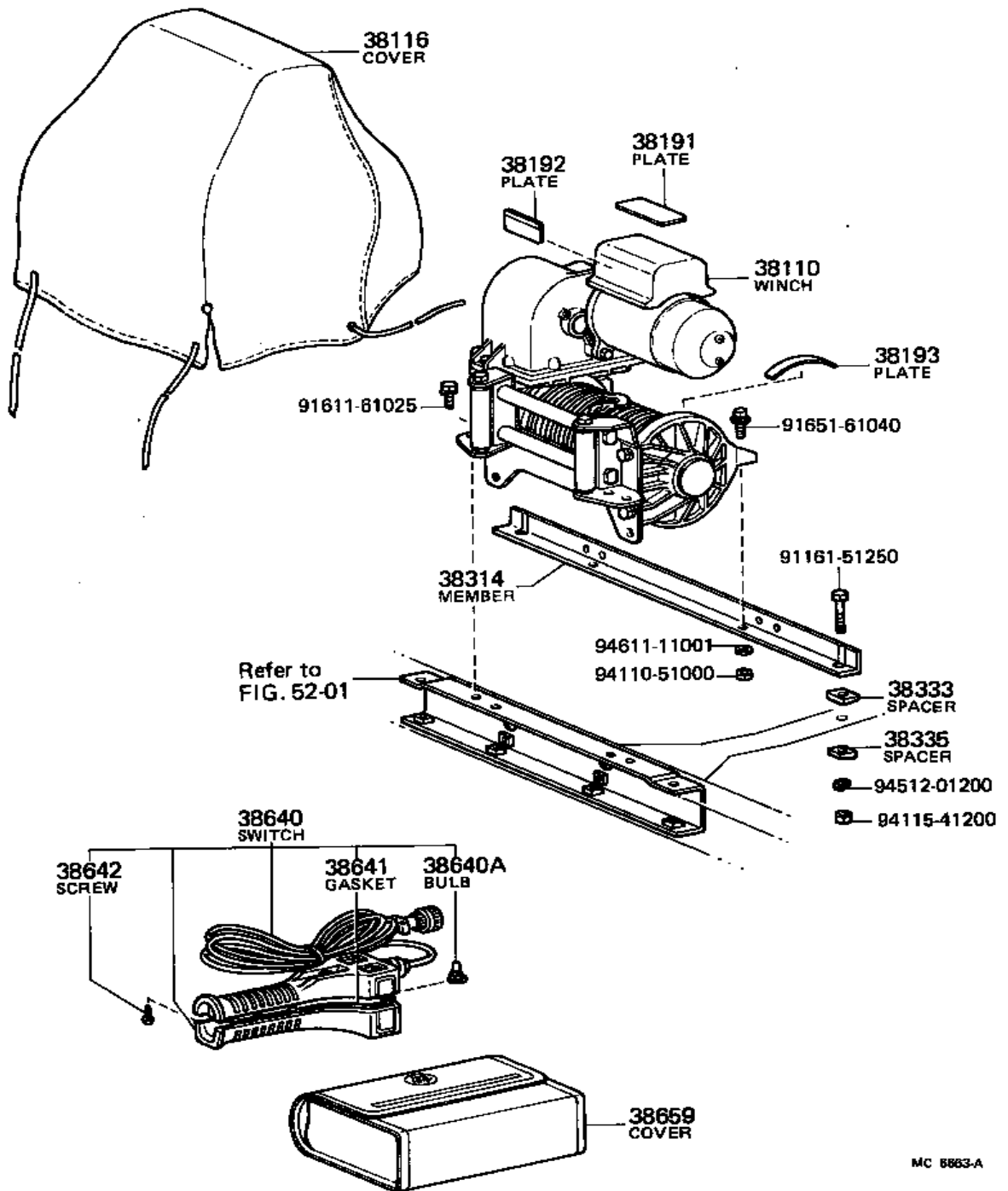
38135B
BEARING

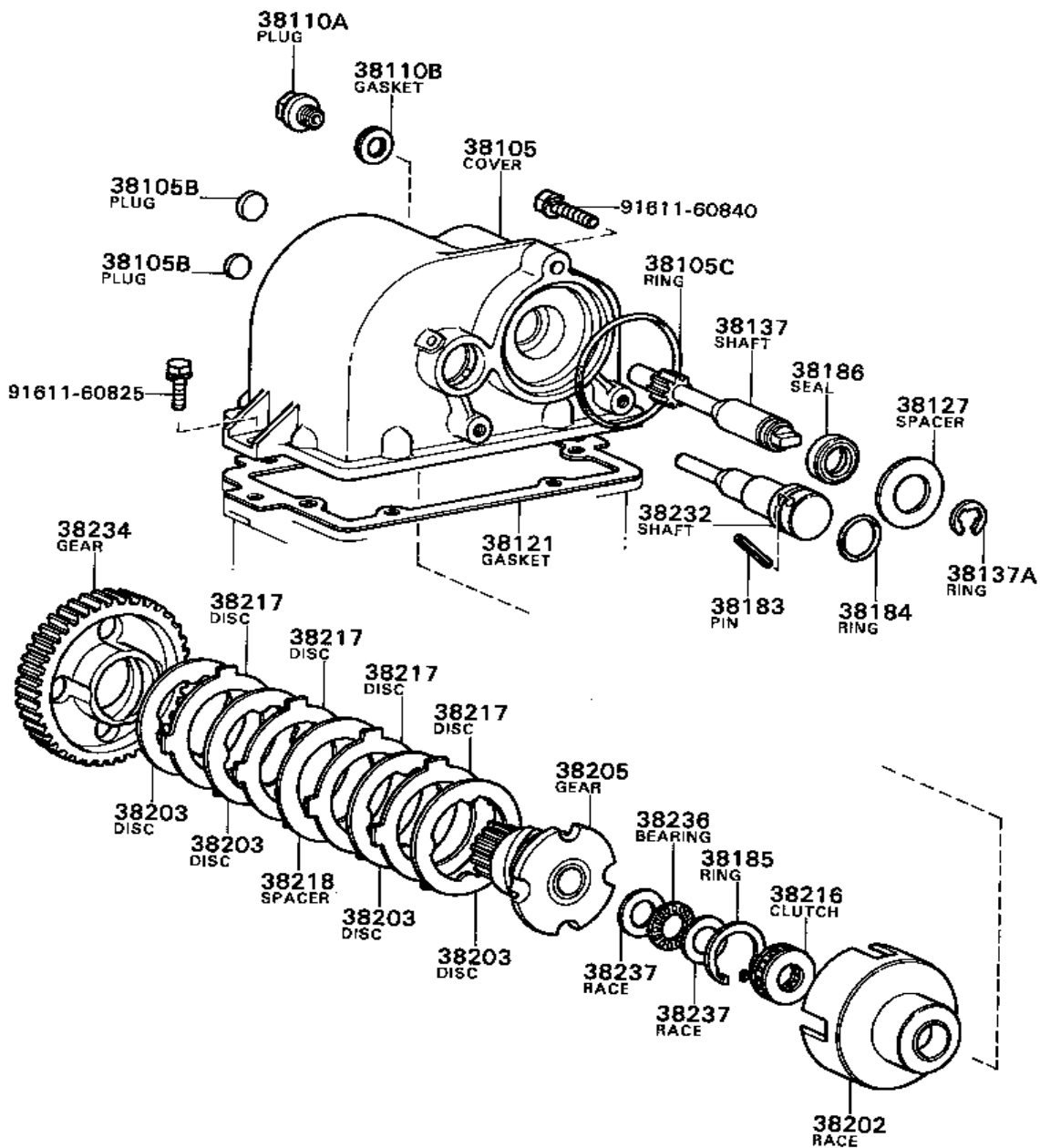
38135
WORM

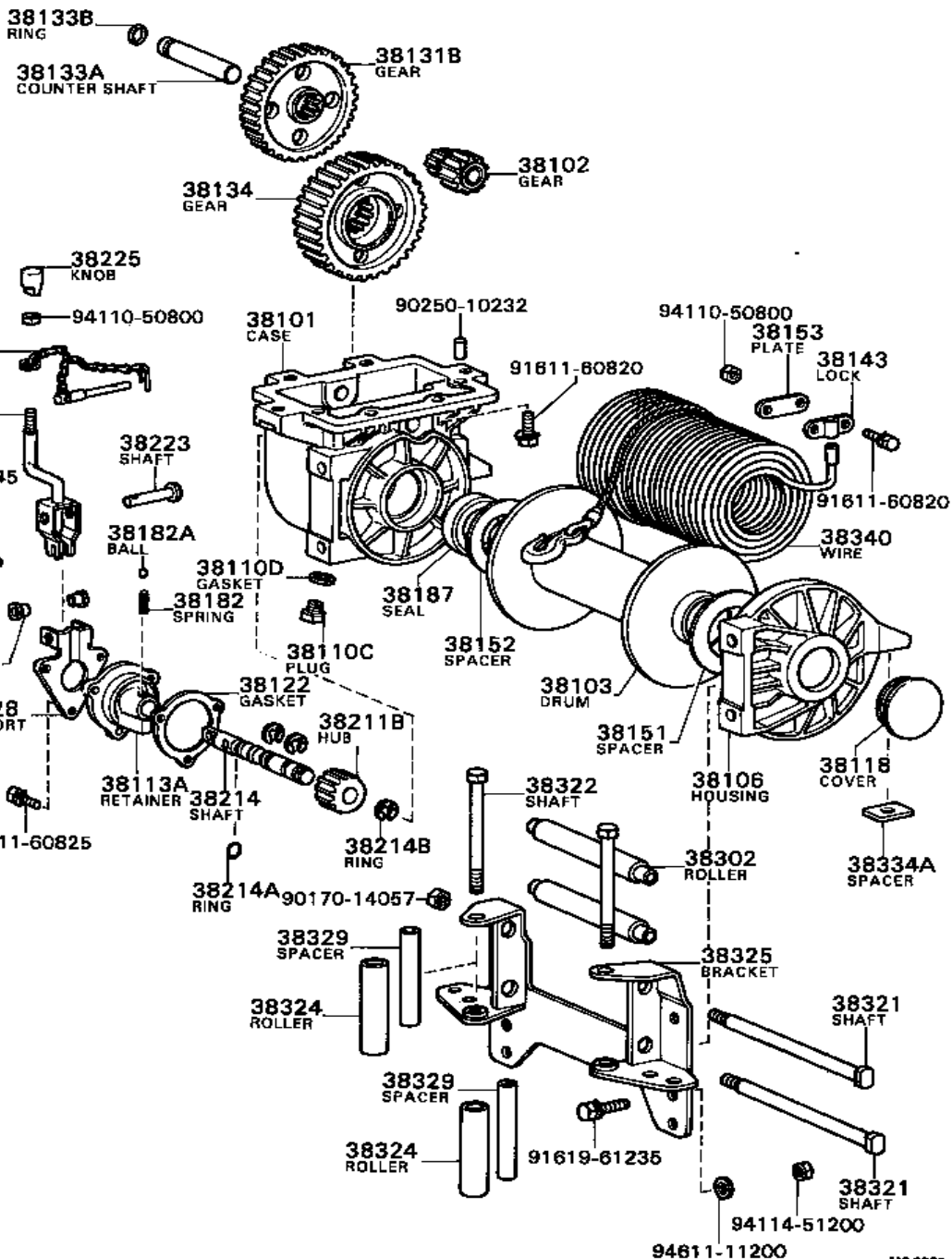
95381-01215

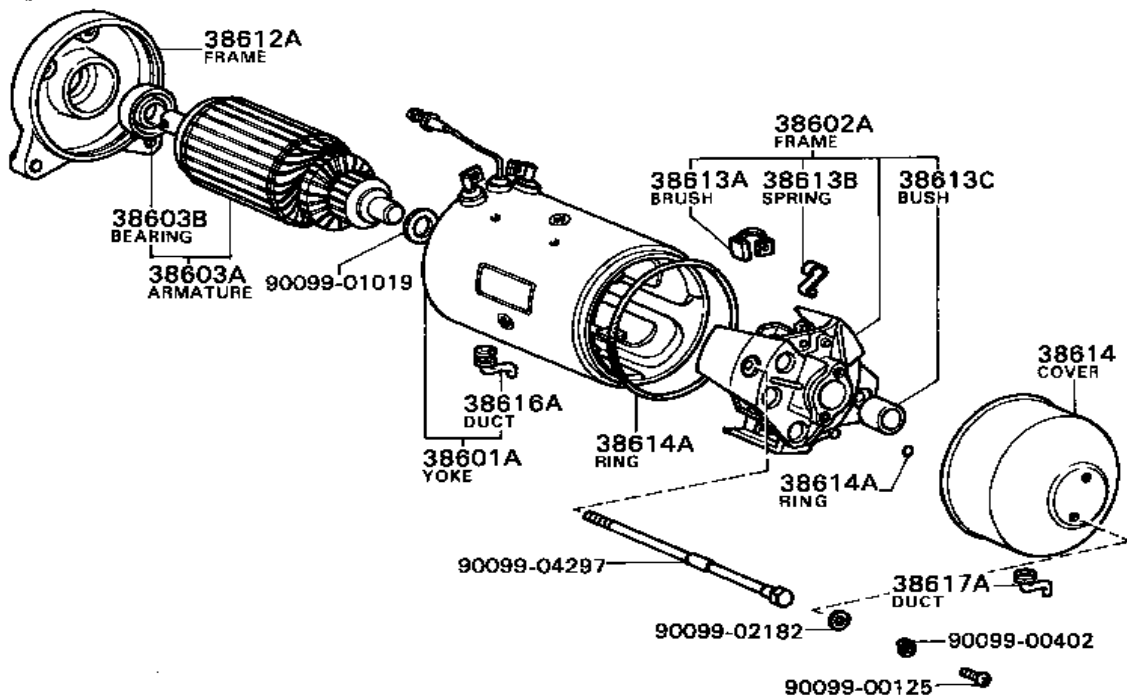
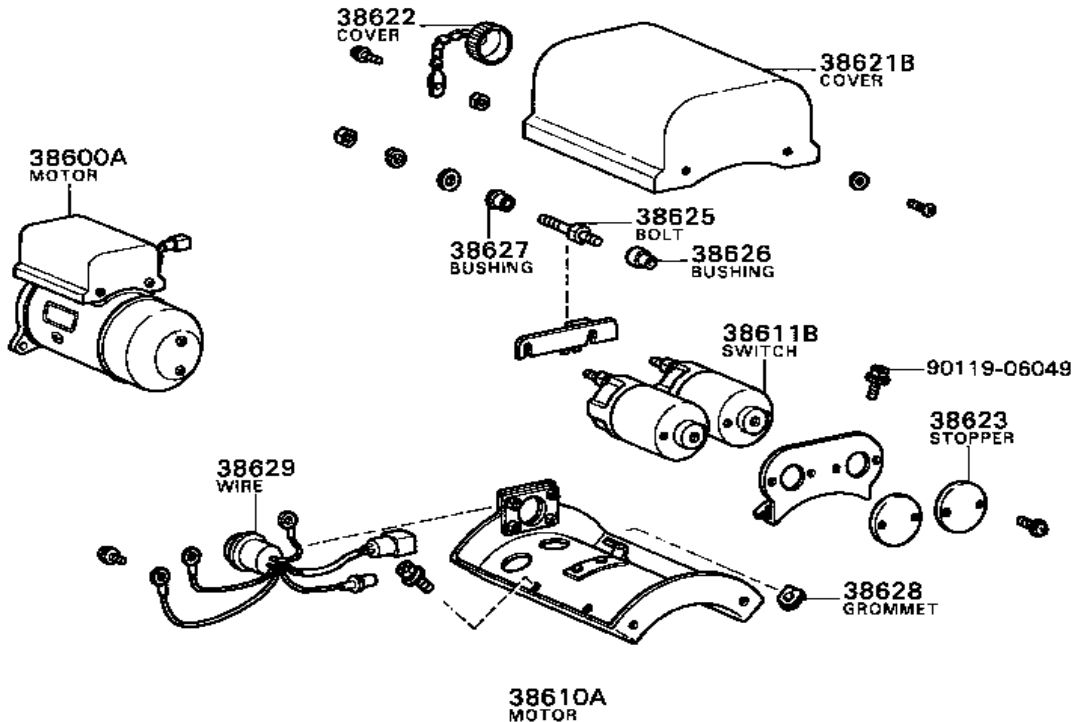
91111-41020
91111-41025

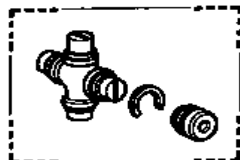
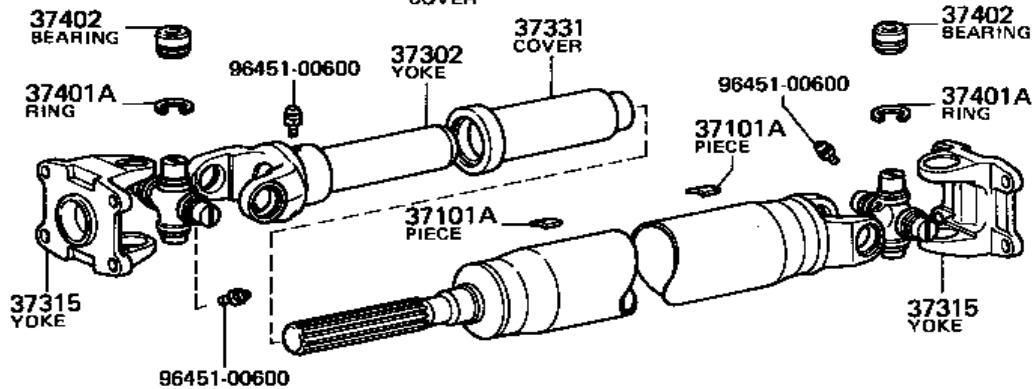
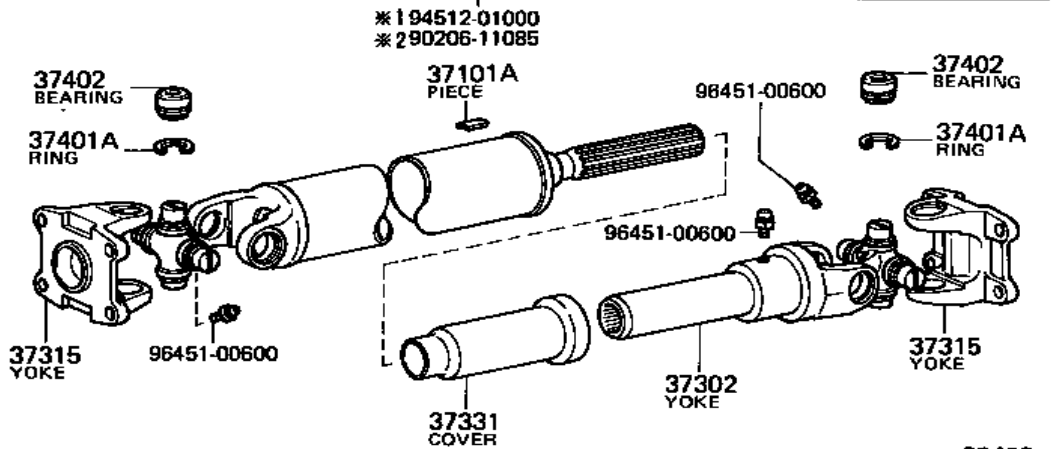
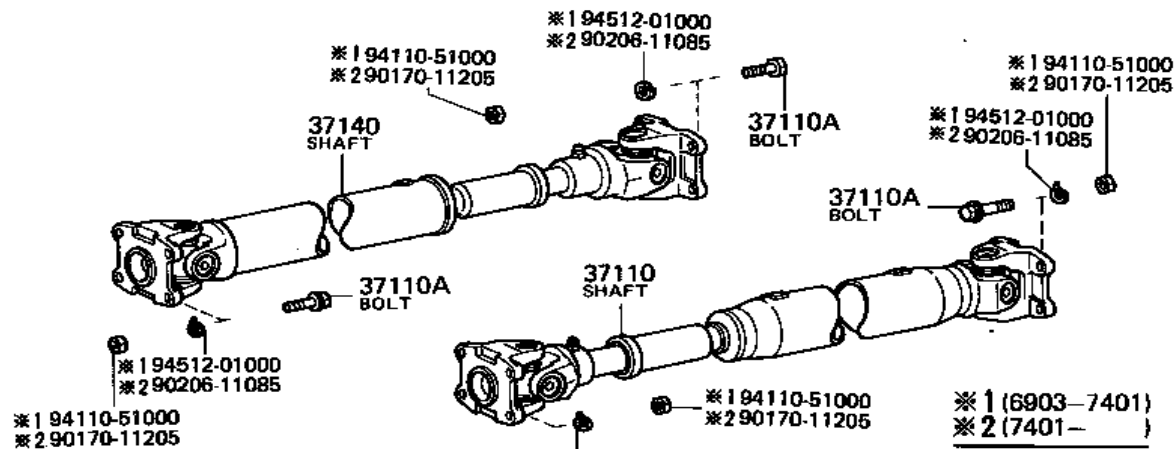
94512-01000







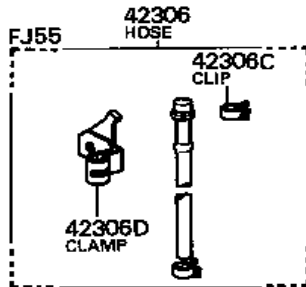
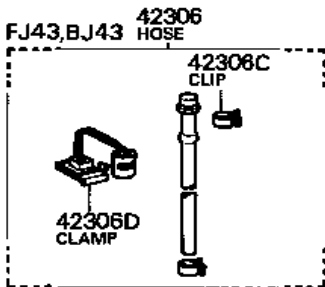
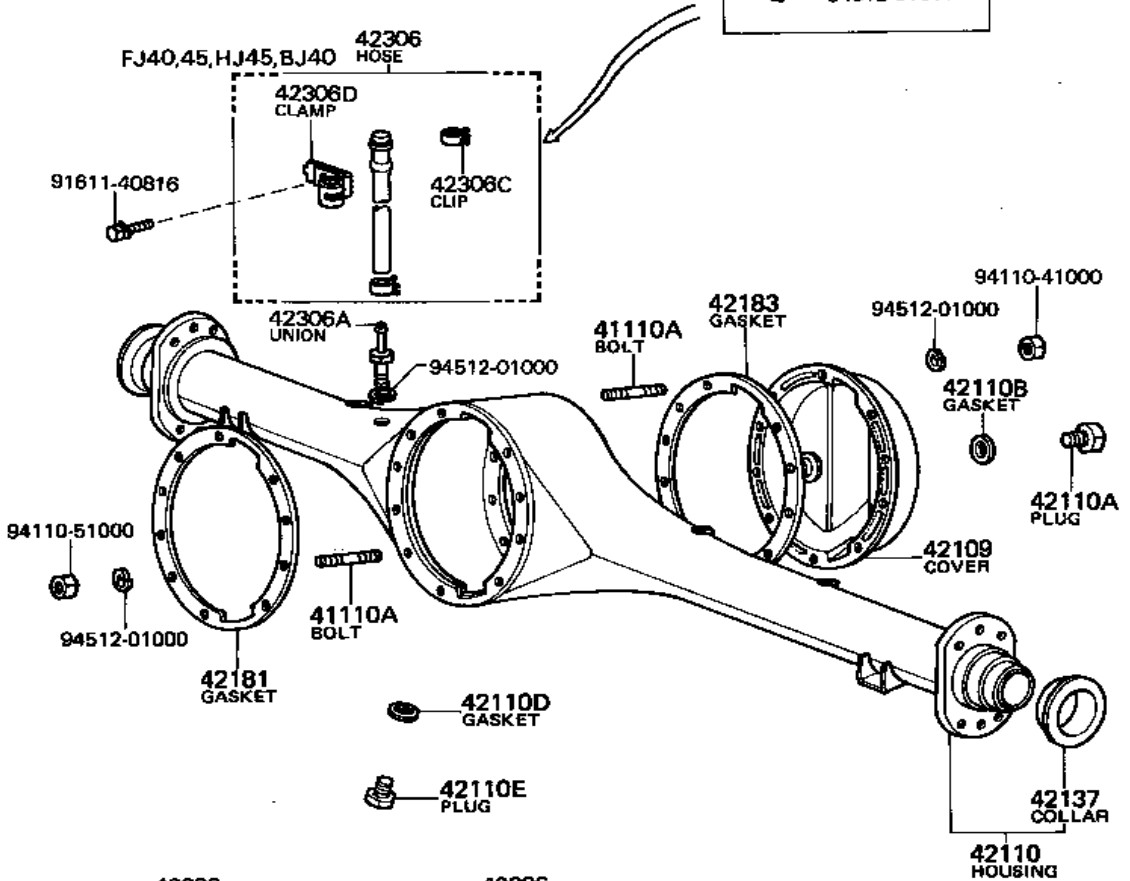
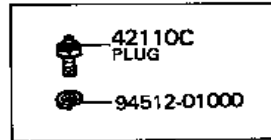




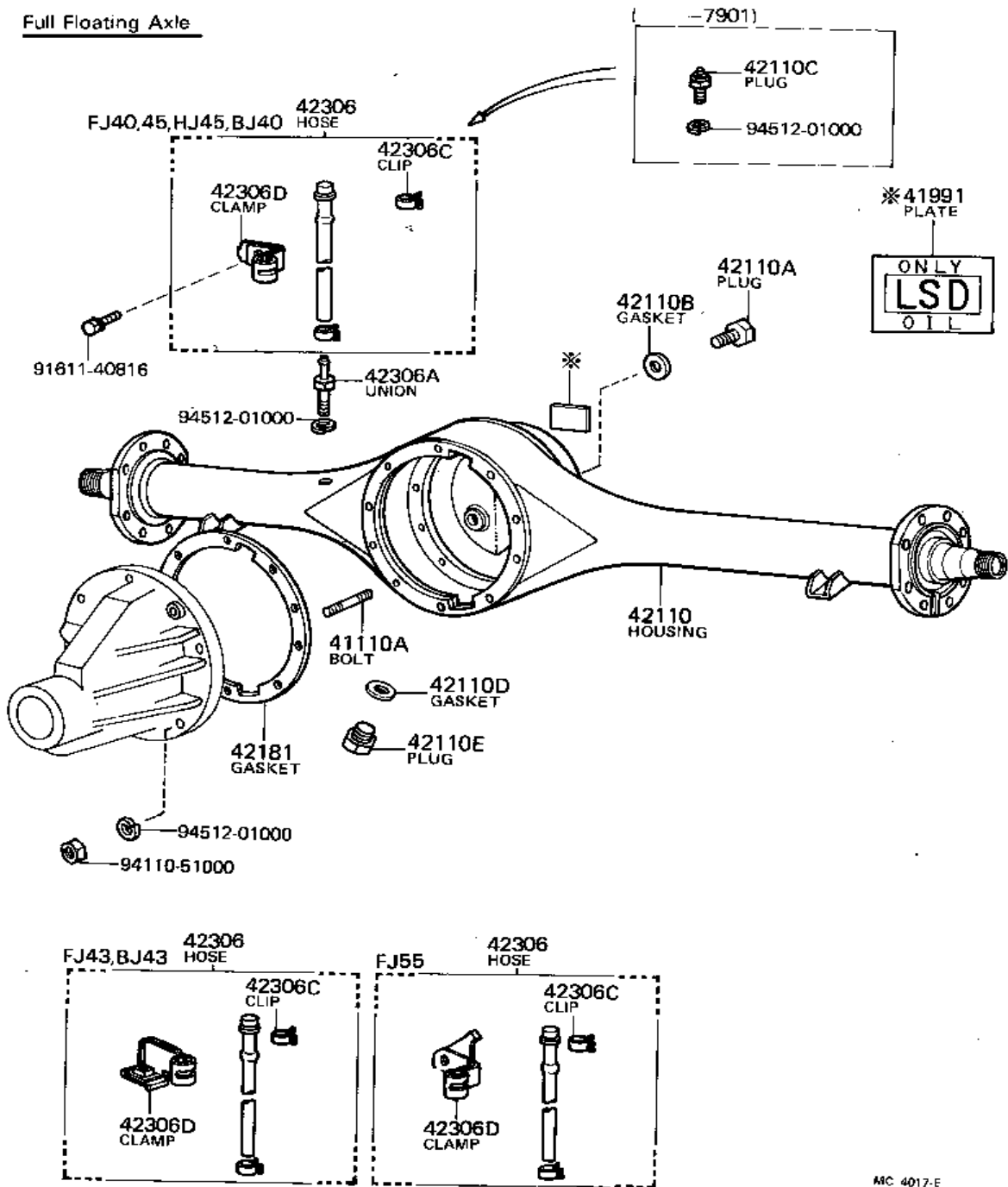
37401 SPIDER KIT

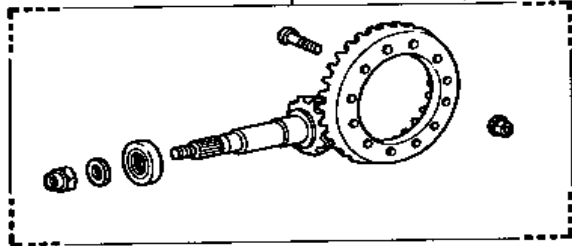
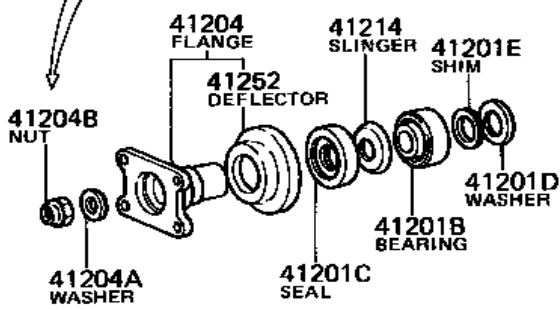
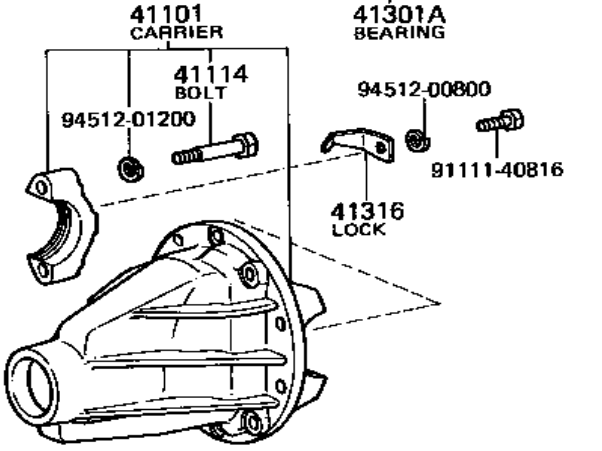
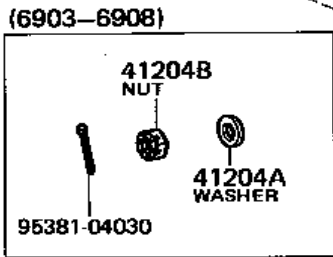
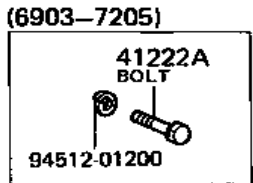
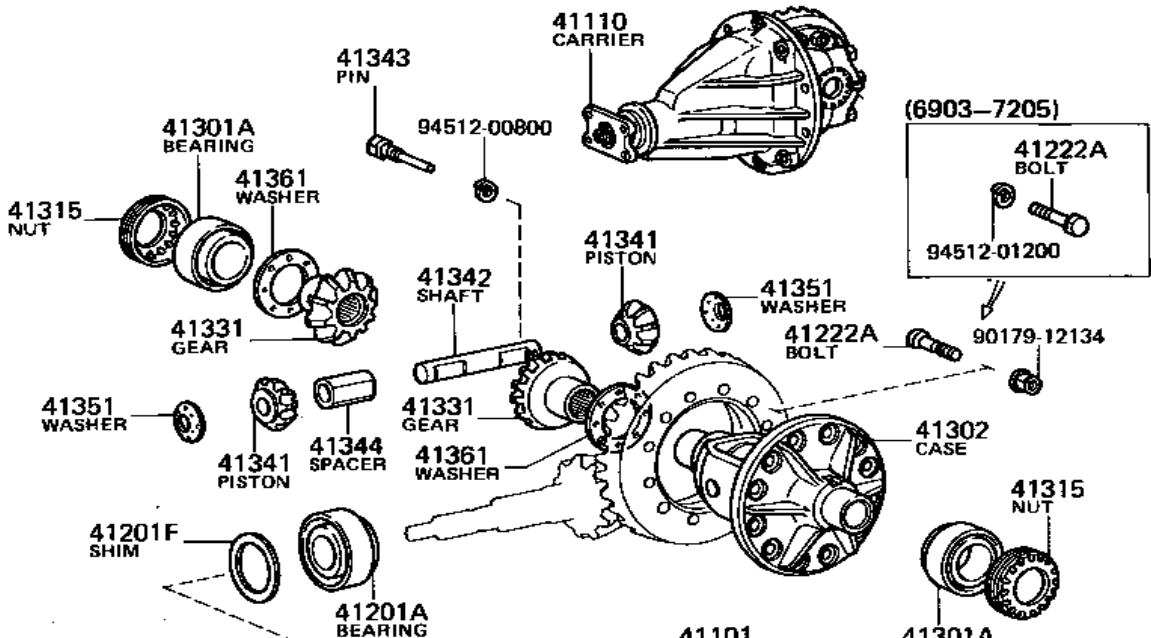
Semi Floating Axle

(-7901)

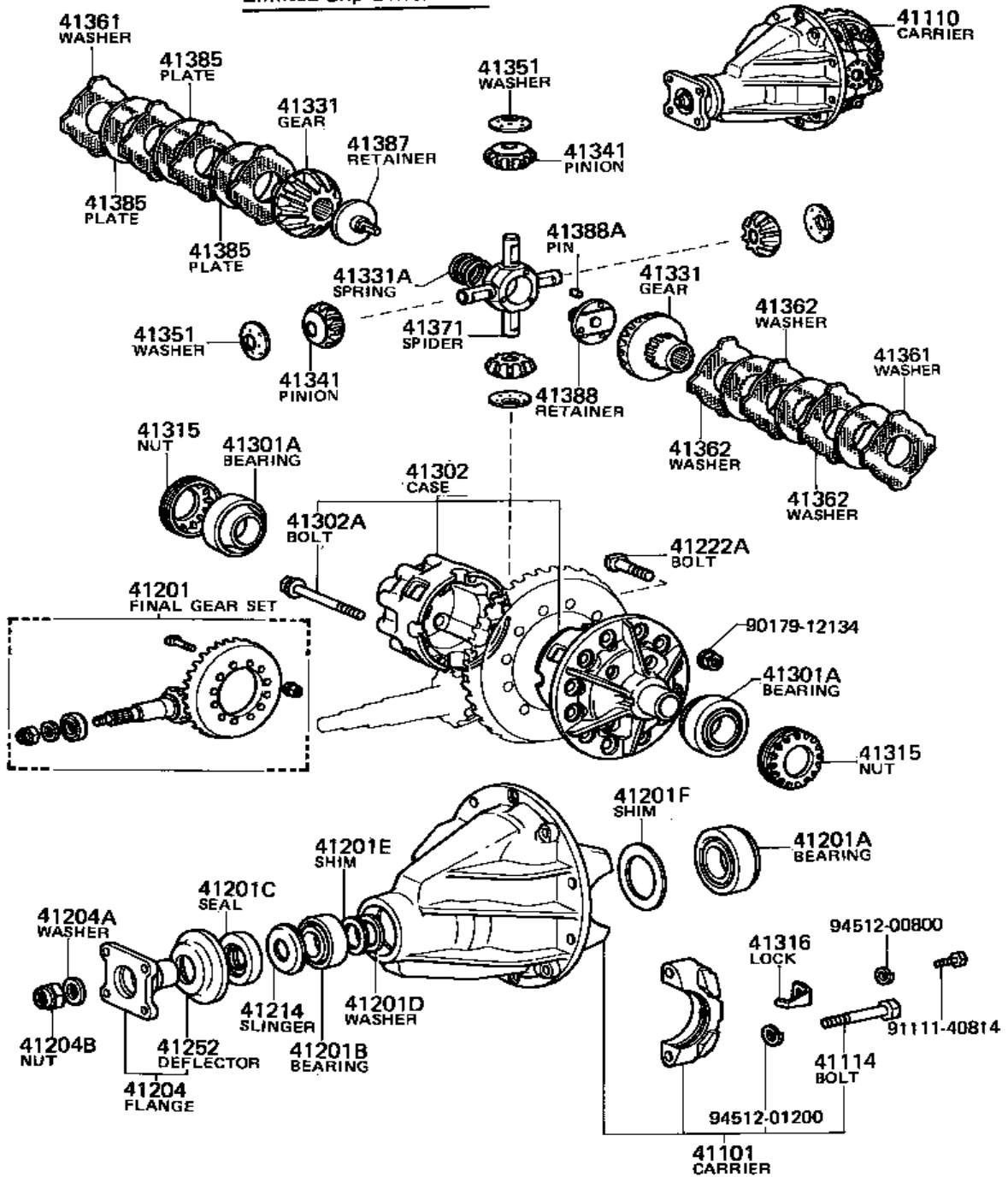


Full Floating Axle

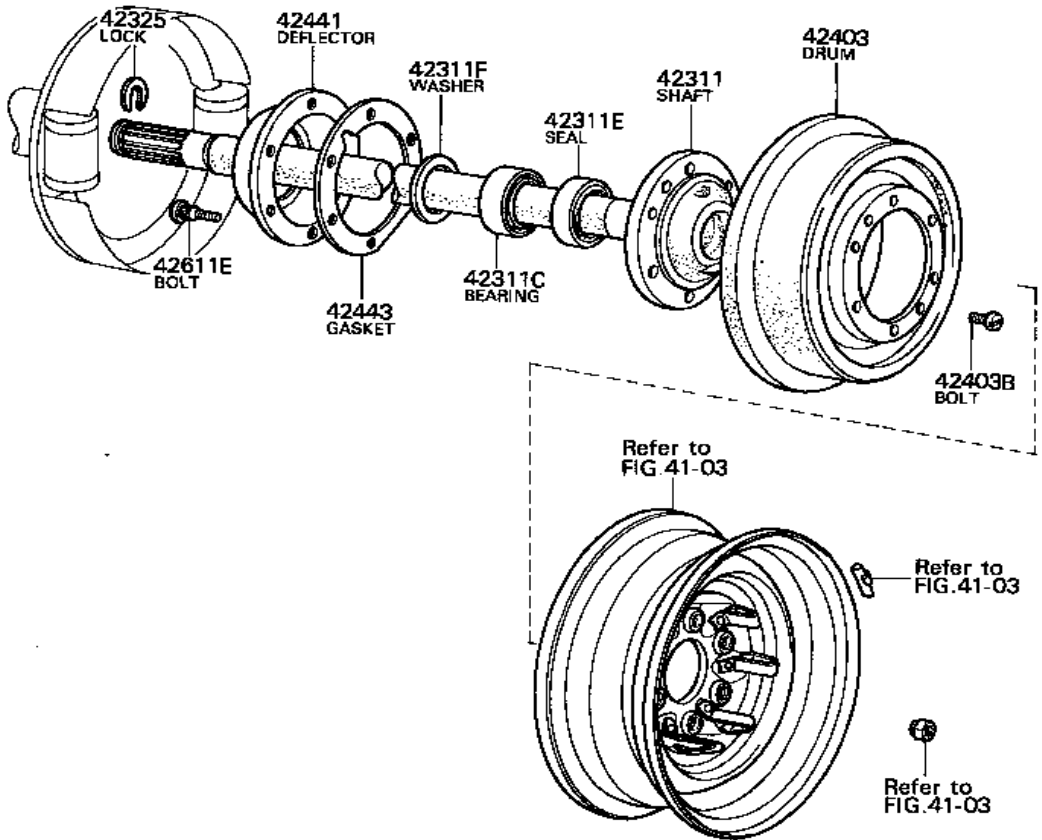




Limited Slip Differential

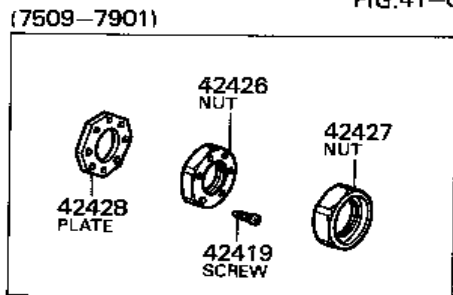
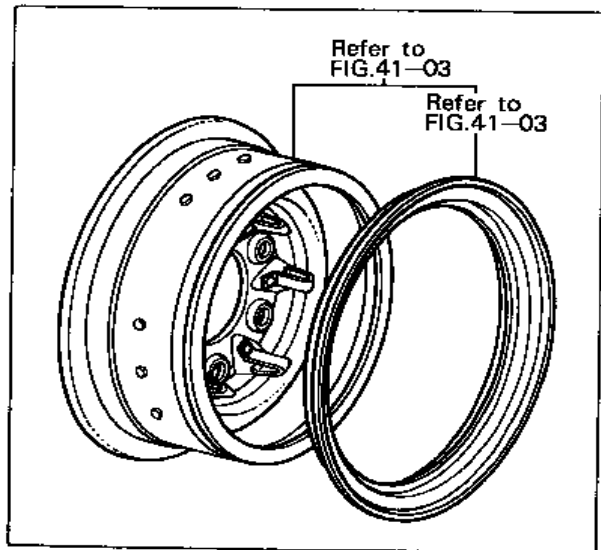
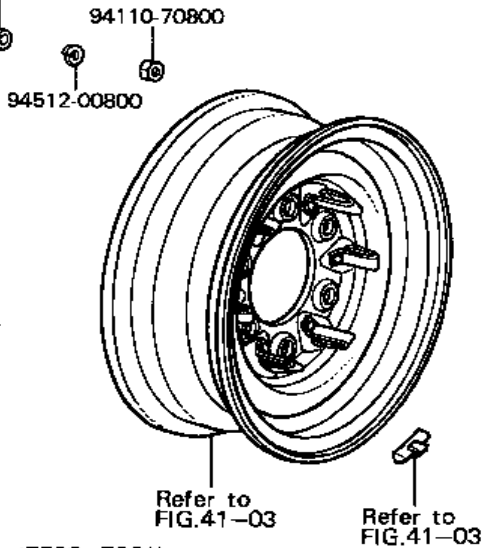
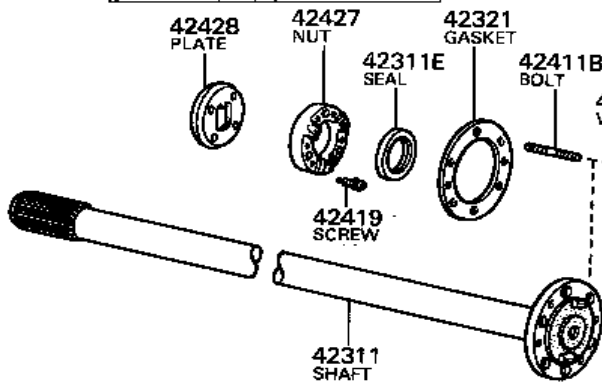
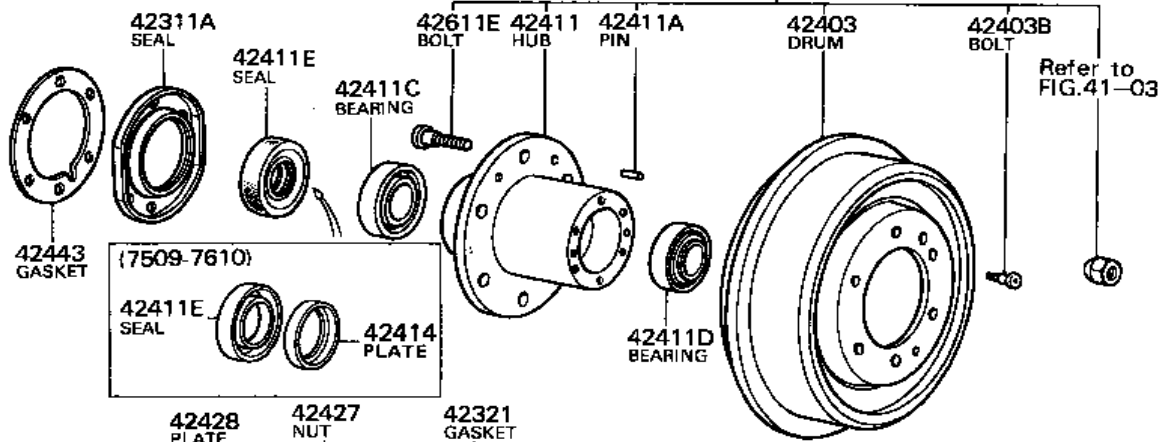


Semi Floating Axle



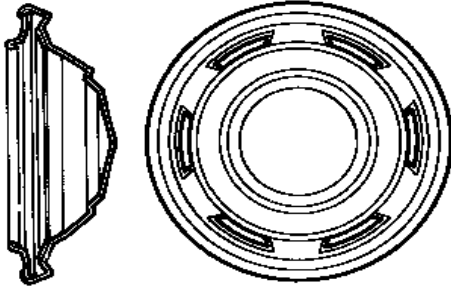
For Full Floating Axle

42420 (RH)
42430 (LH)
HUB & BRAKE DRUM

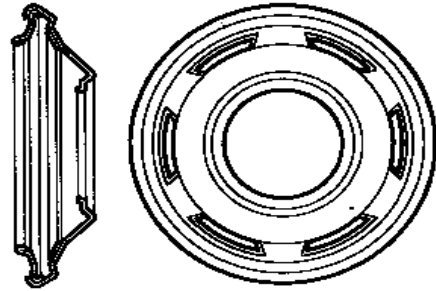


42621 CAP

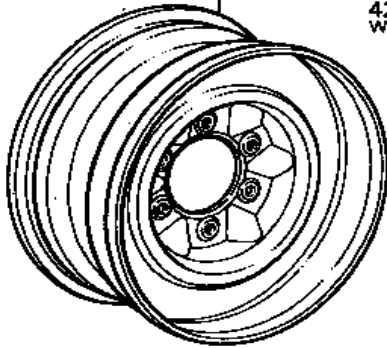
42621-60010



42621-60020



42601F (FRONT)
42601R (REAR)
WHEEL



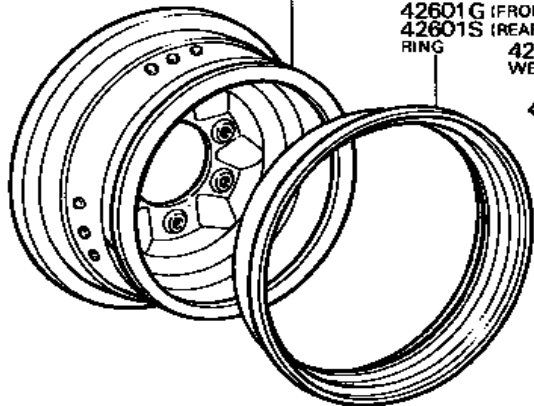
42601D
WEIGHT



42601C
NUT



42601F (FRONT)
42601R (REAR)
WBELL



42601G (FRONT)
42601S (REAR)
RING

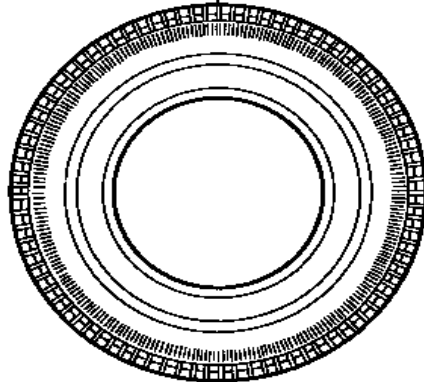
42601D
WEIGHT

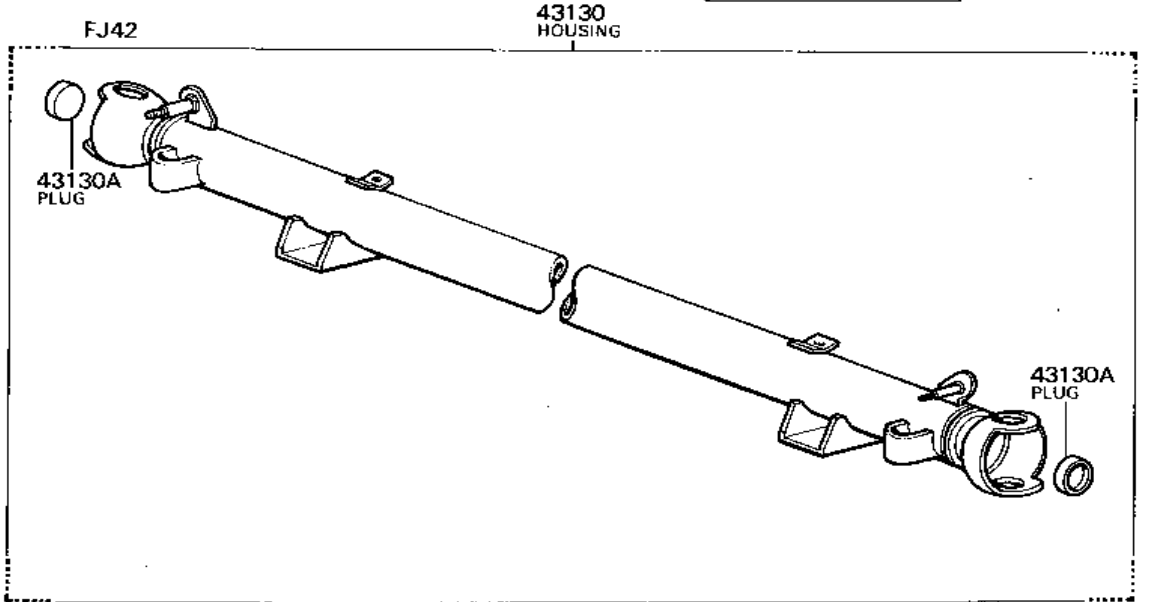
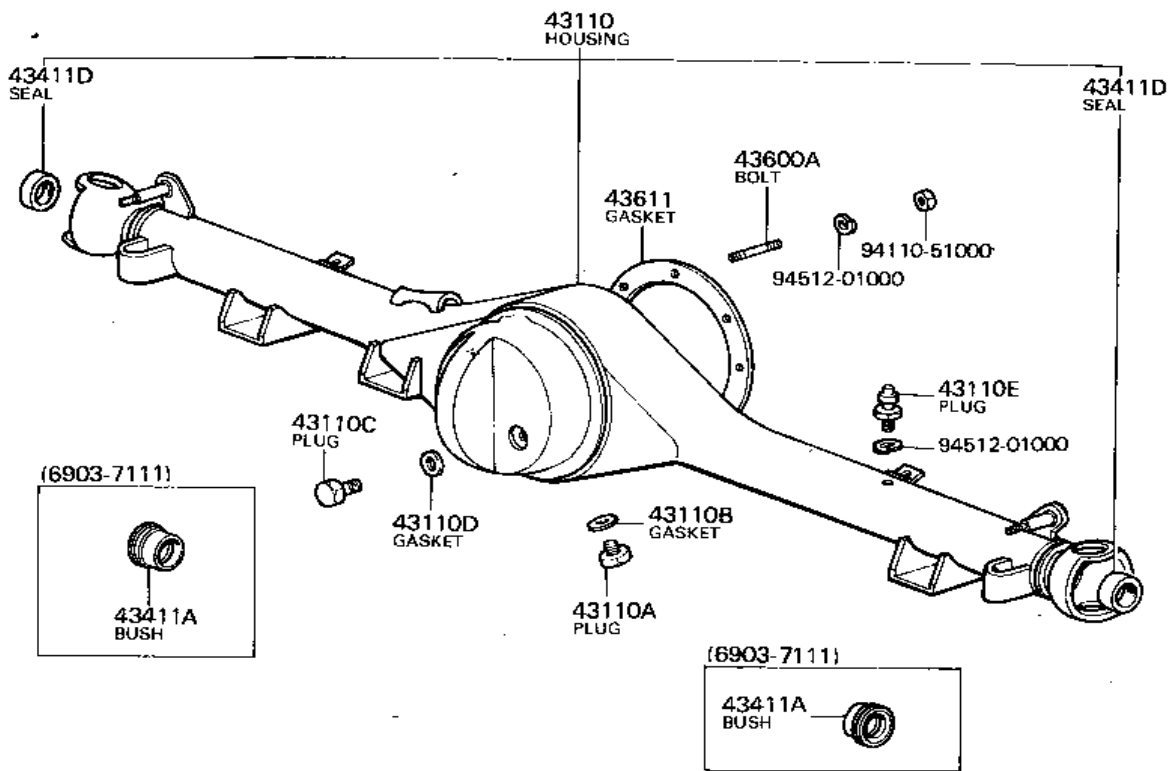


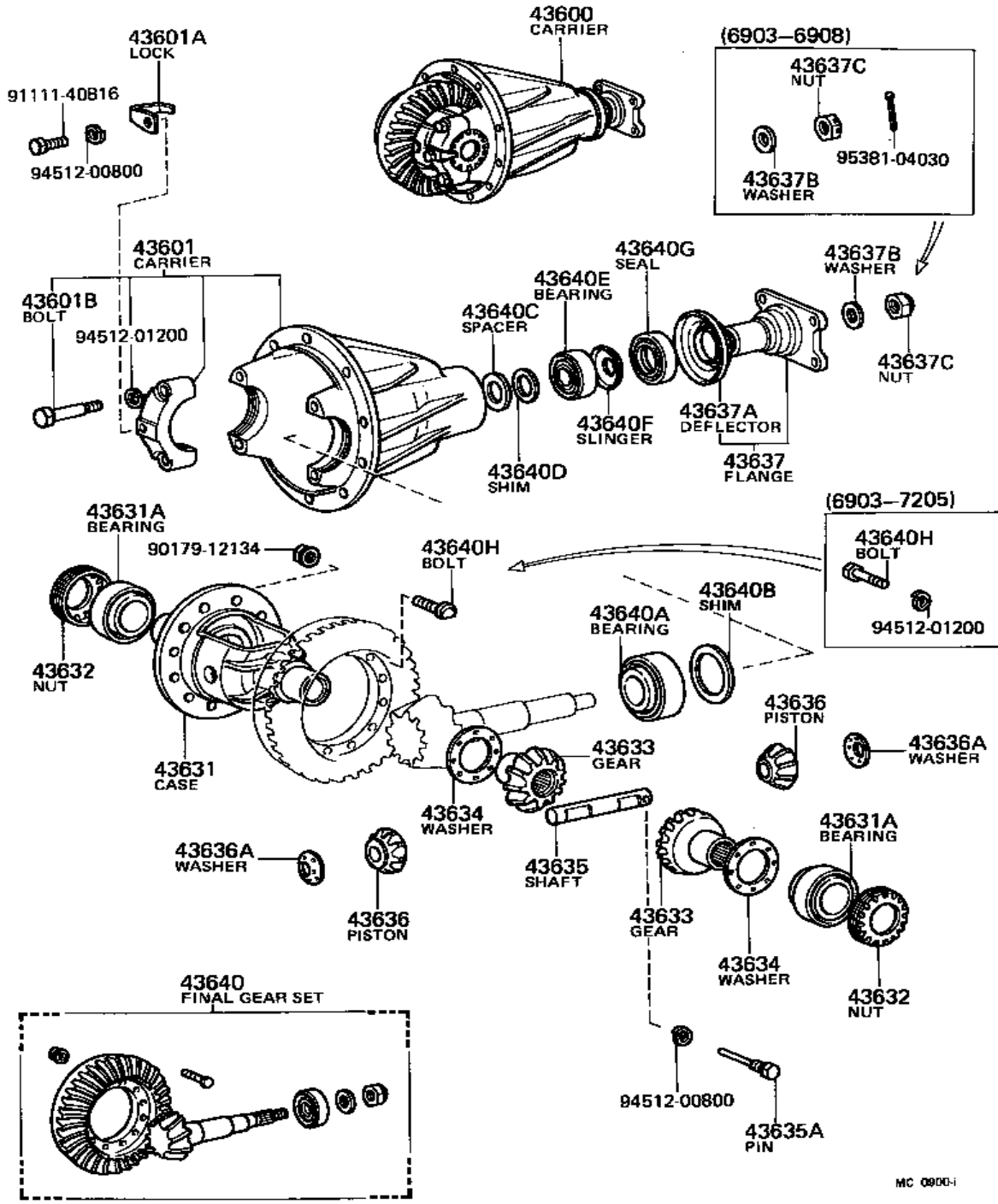
42601C
NUT



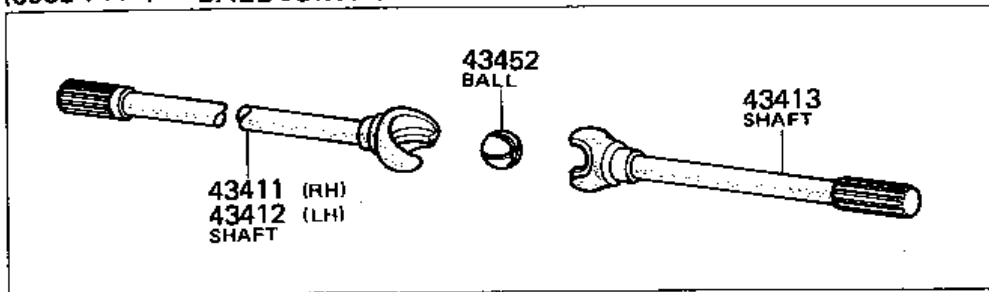
42611A
TIRE TUBE SET



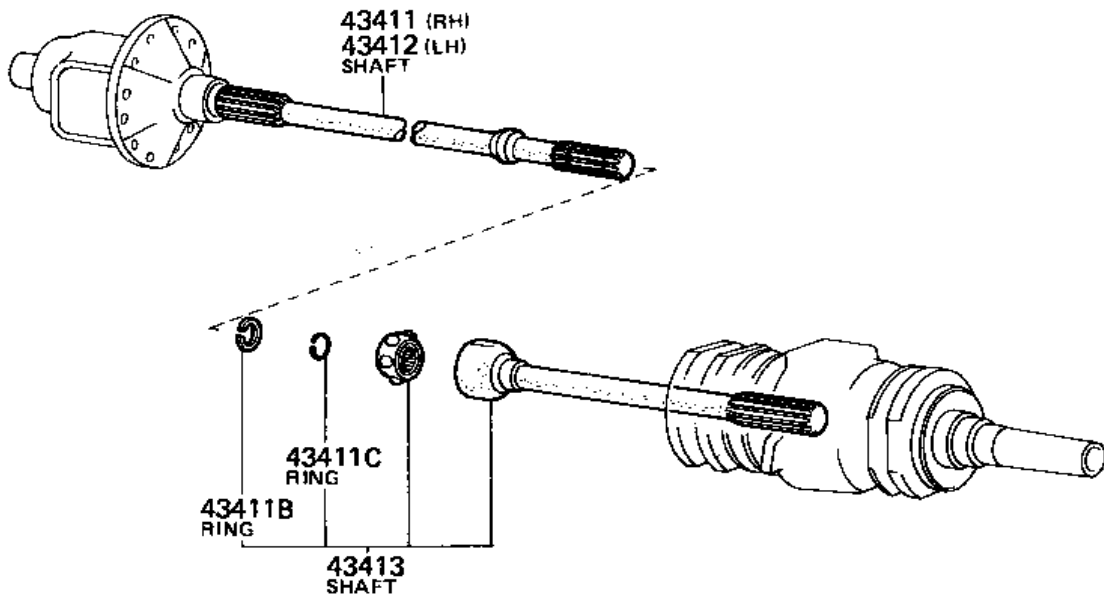




(6903-7111) BALL JOINT TYPE

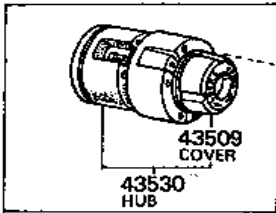


BIRFIELD TYPE



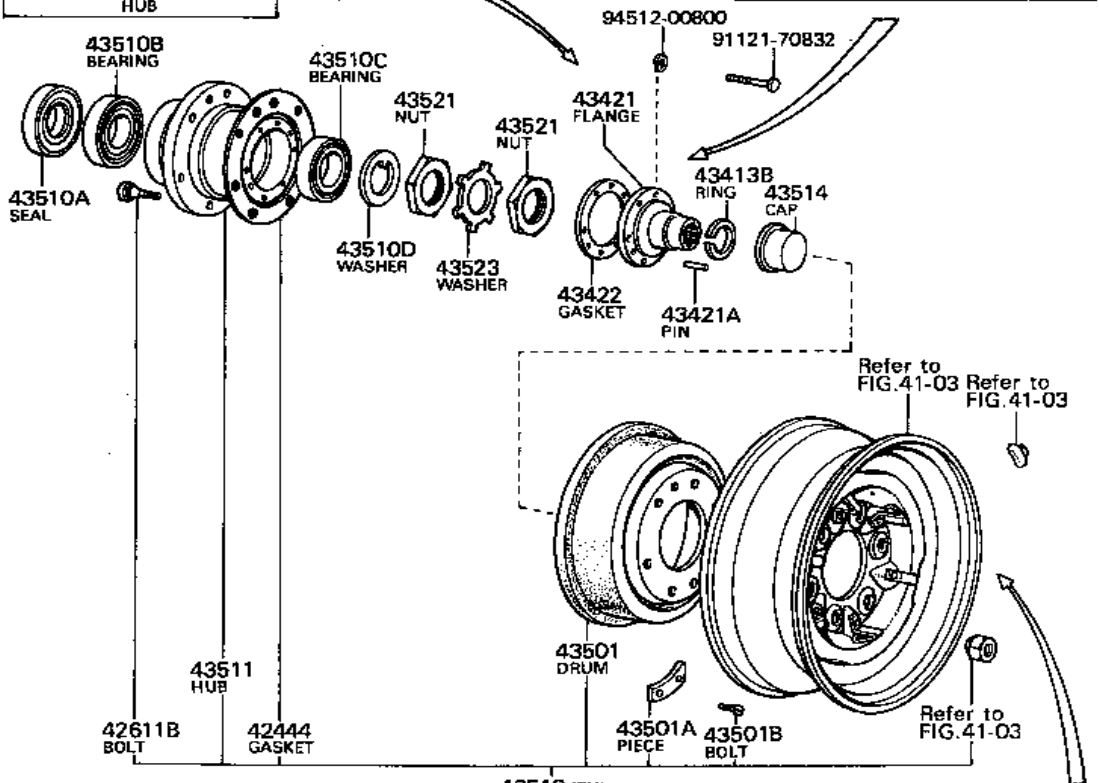
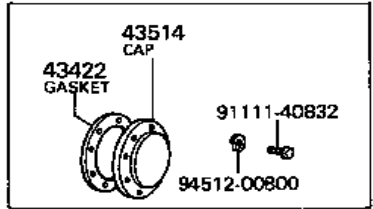
Free Wheel Hub

FJ42 (6903-7203)

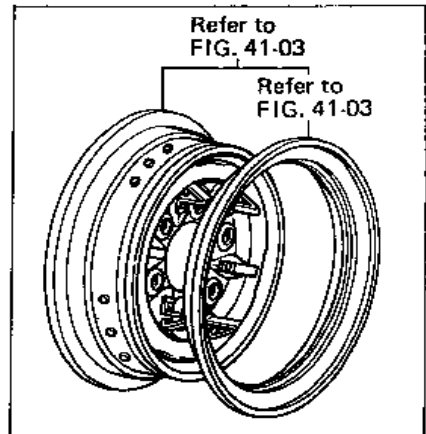


902D1-08002

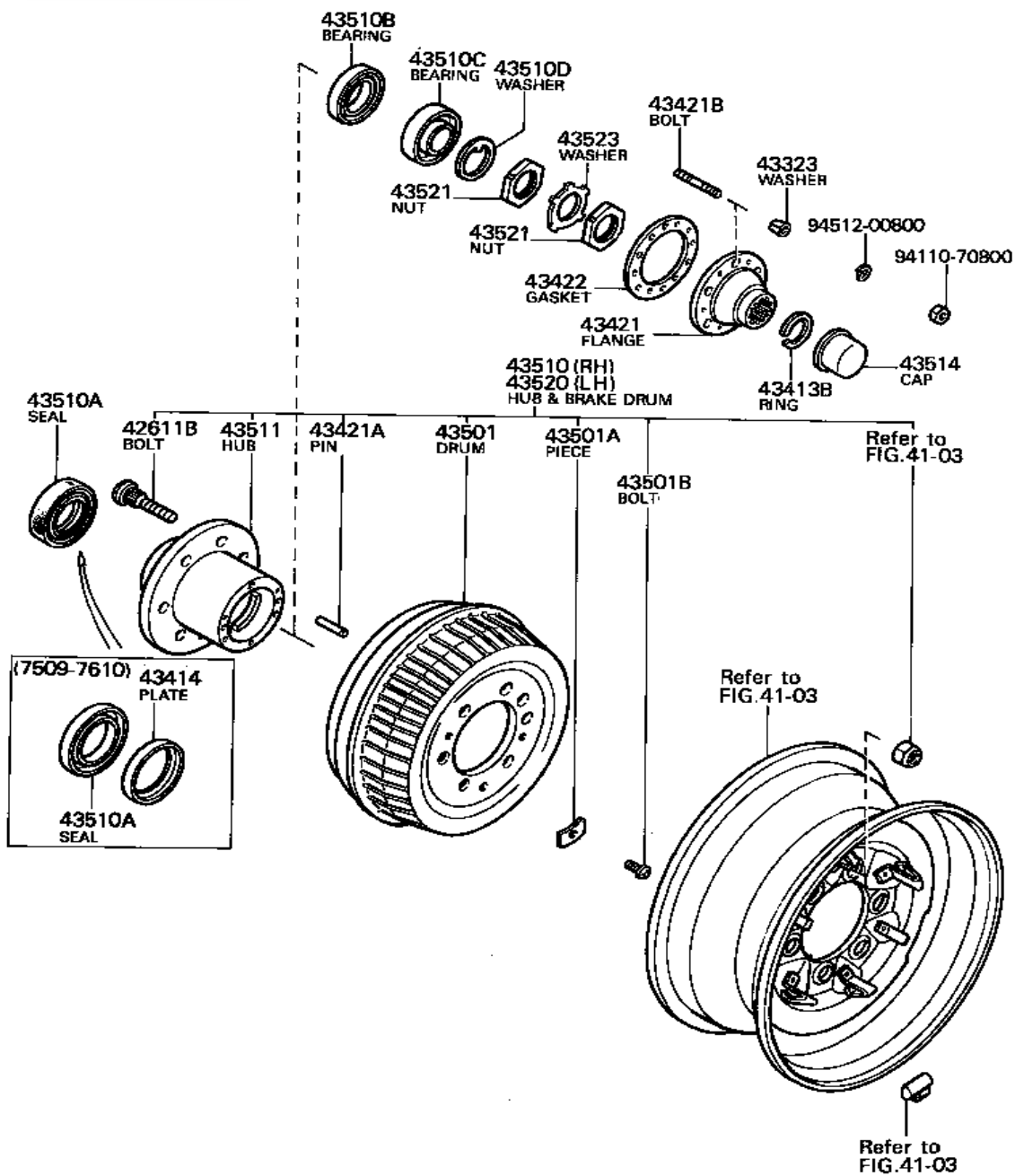
90101-08474



43510 (RHI)
43520 (LH)
HUB & BRAKE DRUM



For Front Drum Brake



(7509-7610)

For Front Disc Brake

91112-71025

94512-00800

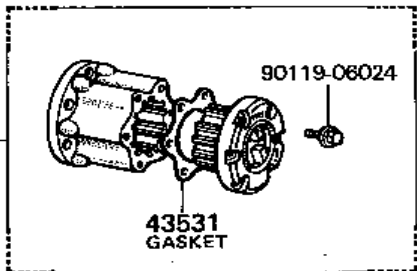
43512
DISC

43510A
SEAL

43414
PLATE



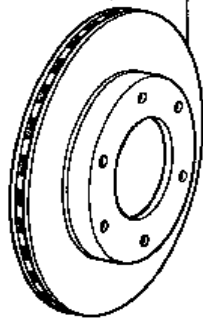
43530
HUB



90119-06024

43531
GASKET

42611B
BOLT



43510A
SEAL

43510B
BEARING

43510C
BEARING

43521
NUT

43521
NUT

43510D
WASHER

43523
WASHER

43511
HUB

43501A
PIECE

43323
WASHER

43421B
BOLT

94110-70800

94512-01000

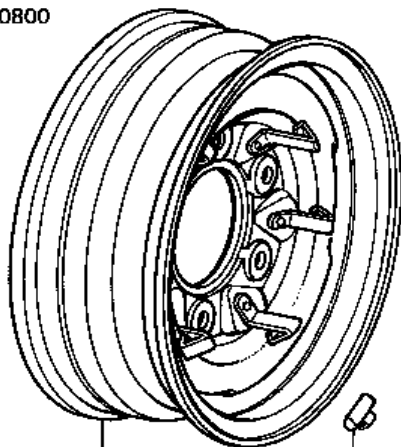
43422
GASKET

43421A
PIN

43421
FLANGE

43413B
RING

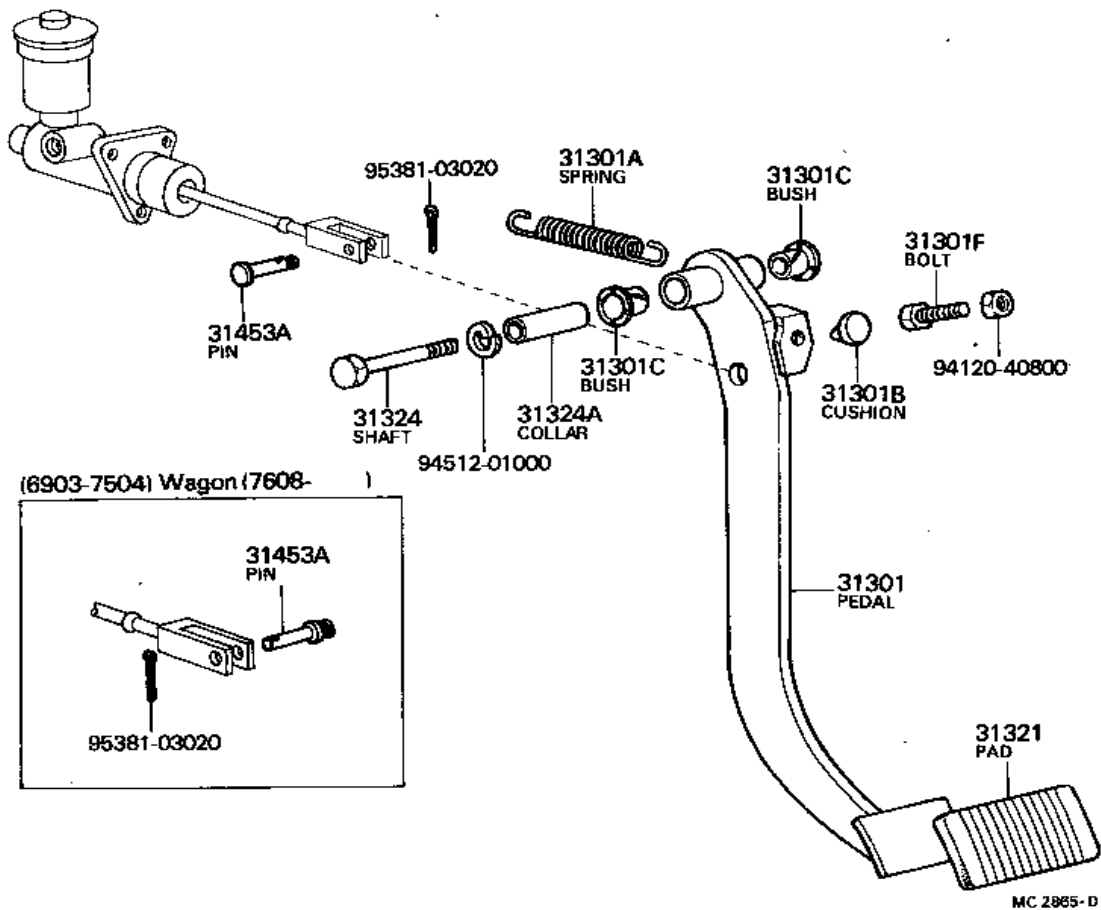
43514
CAP



Refer to
FIG.41-03

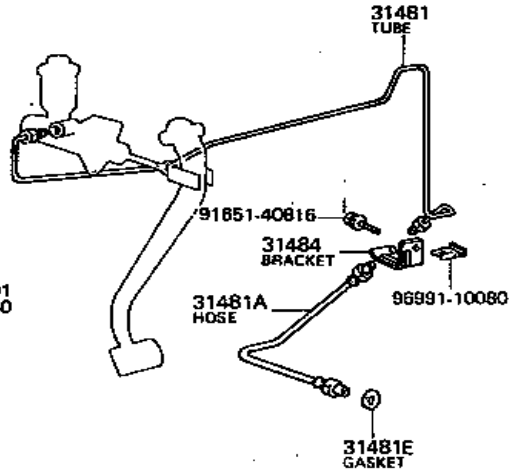
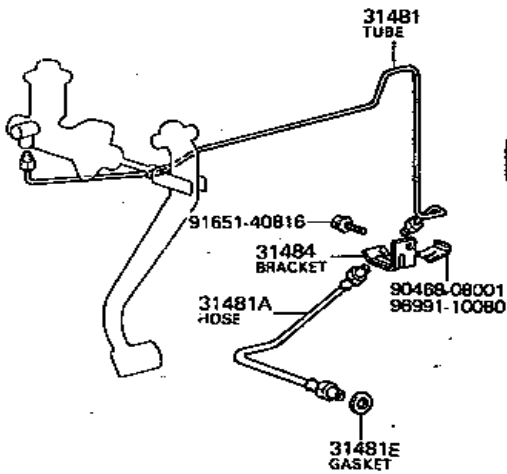
Refer to
FIG.41-03

Refer to
FIG.41-03



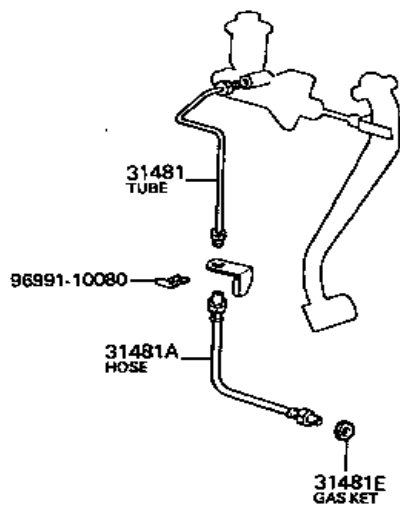
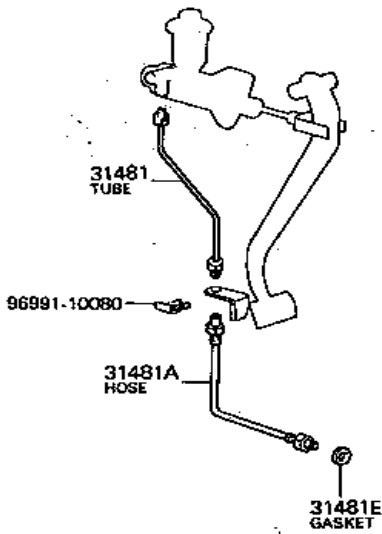
FJ55 (6903-7501)

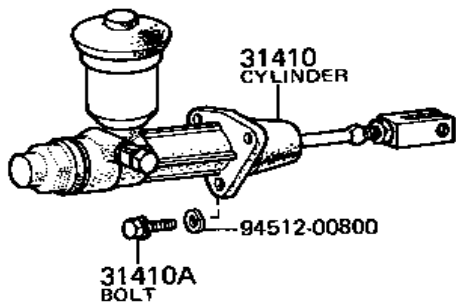
FJ55 (7501-)



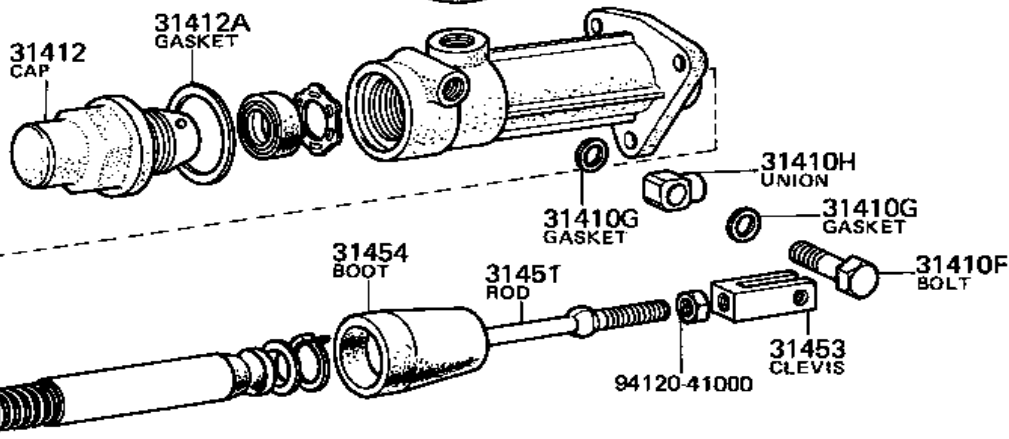
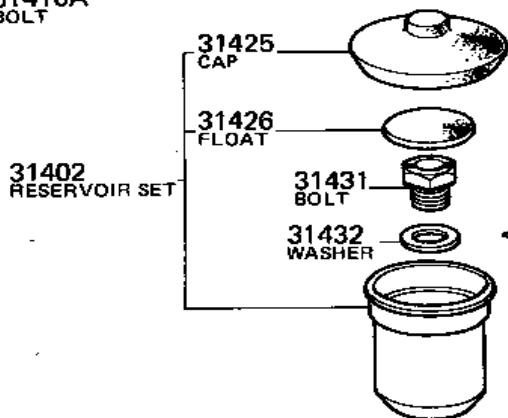
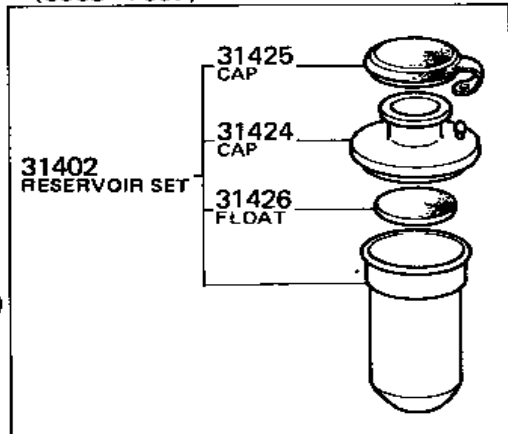
BJ4 (7402-7501)

BJ4 (7501-)

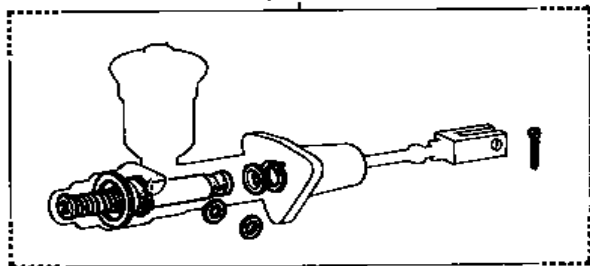


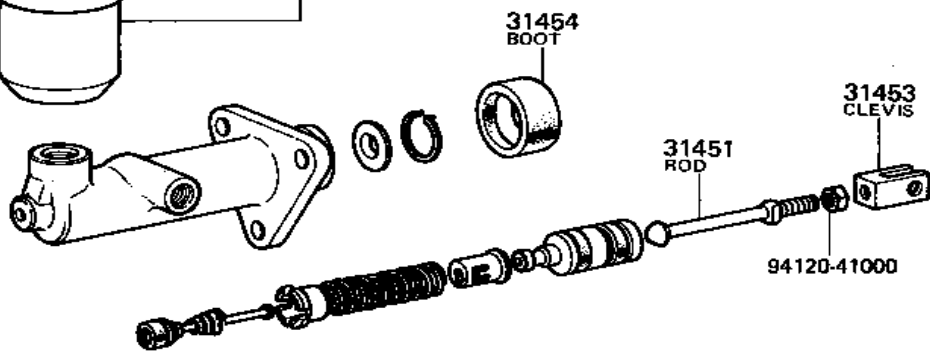
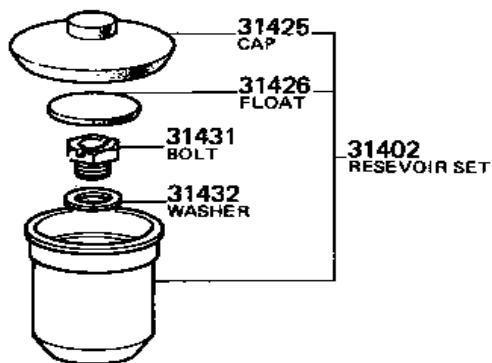
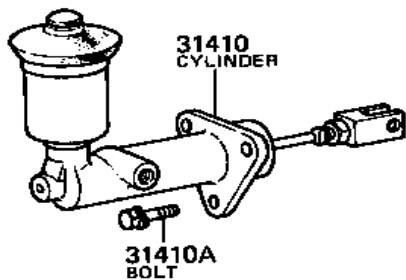


(6903-7007)

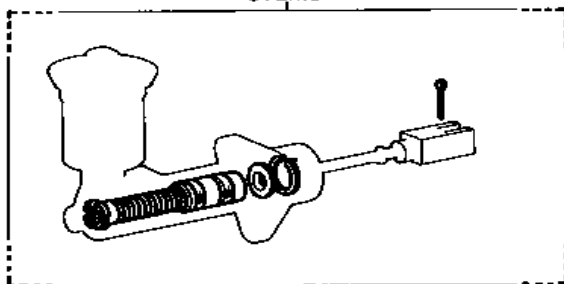


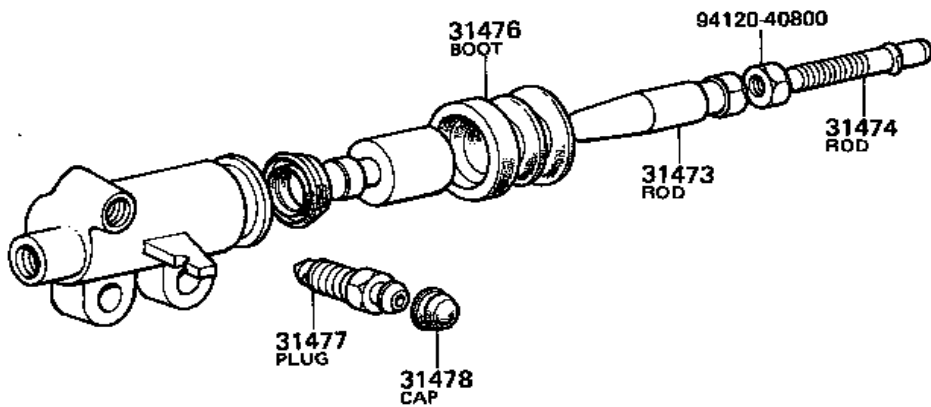
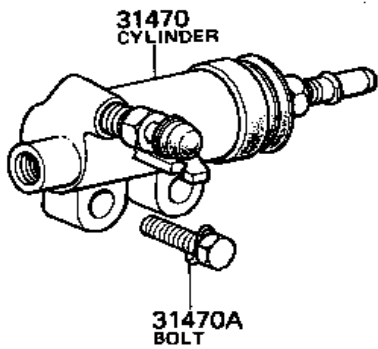
31410K
CYLINDER KIT



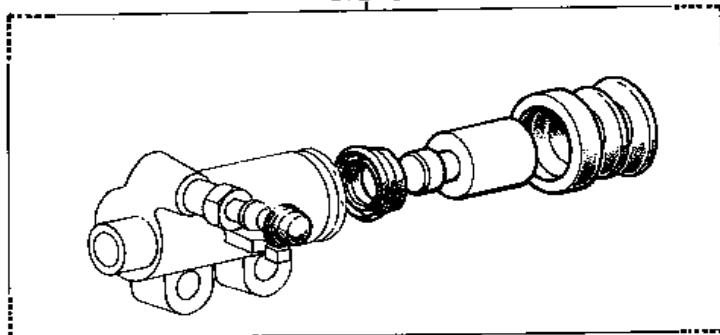


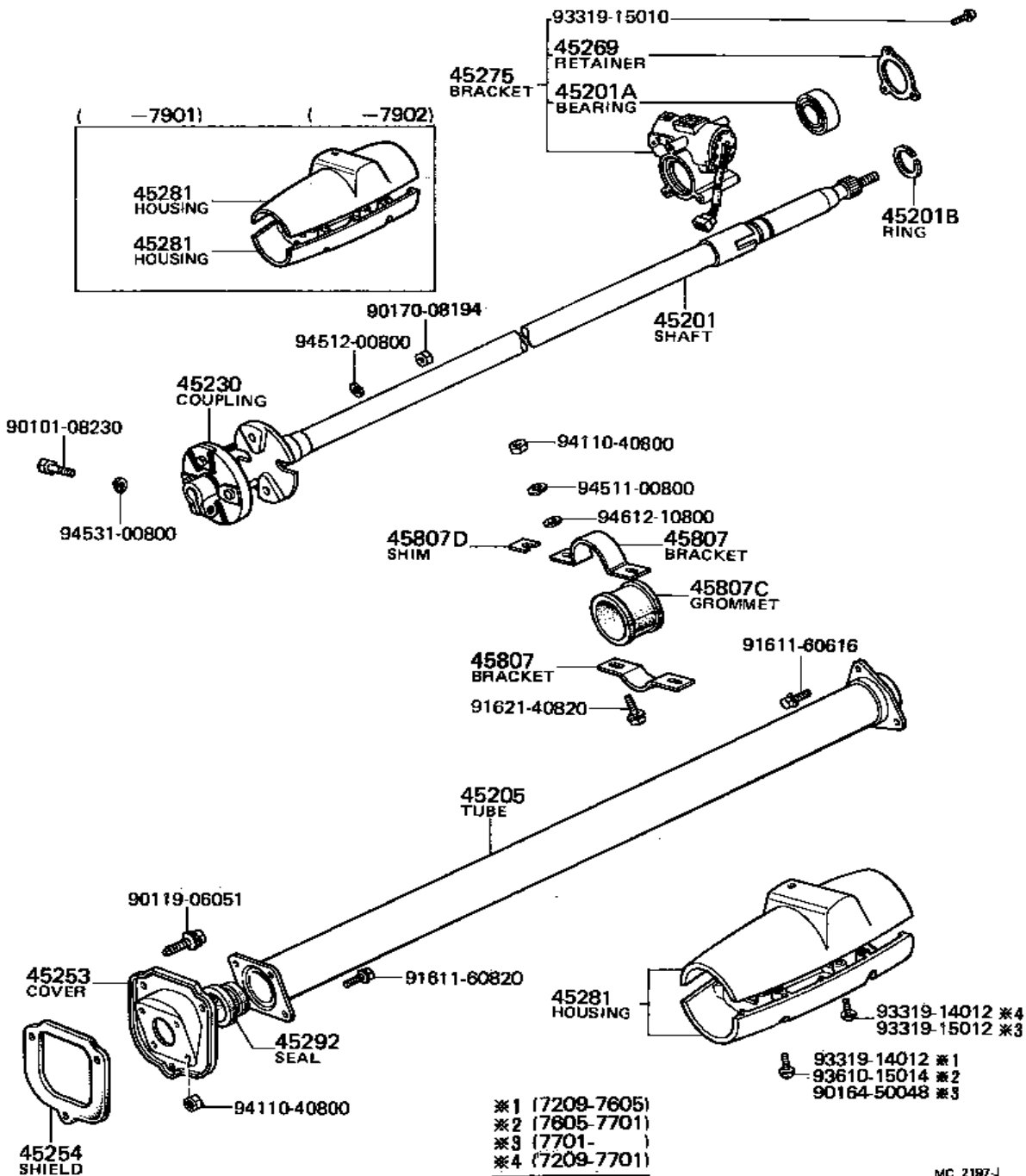
31410K
CYLINDER KIT

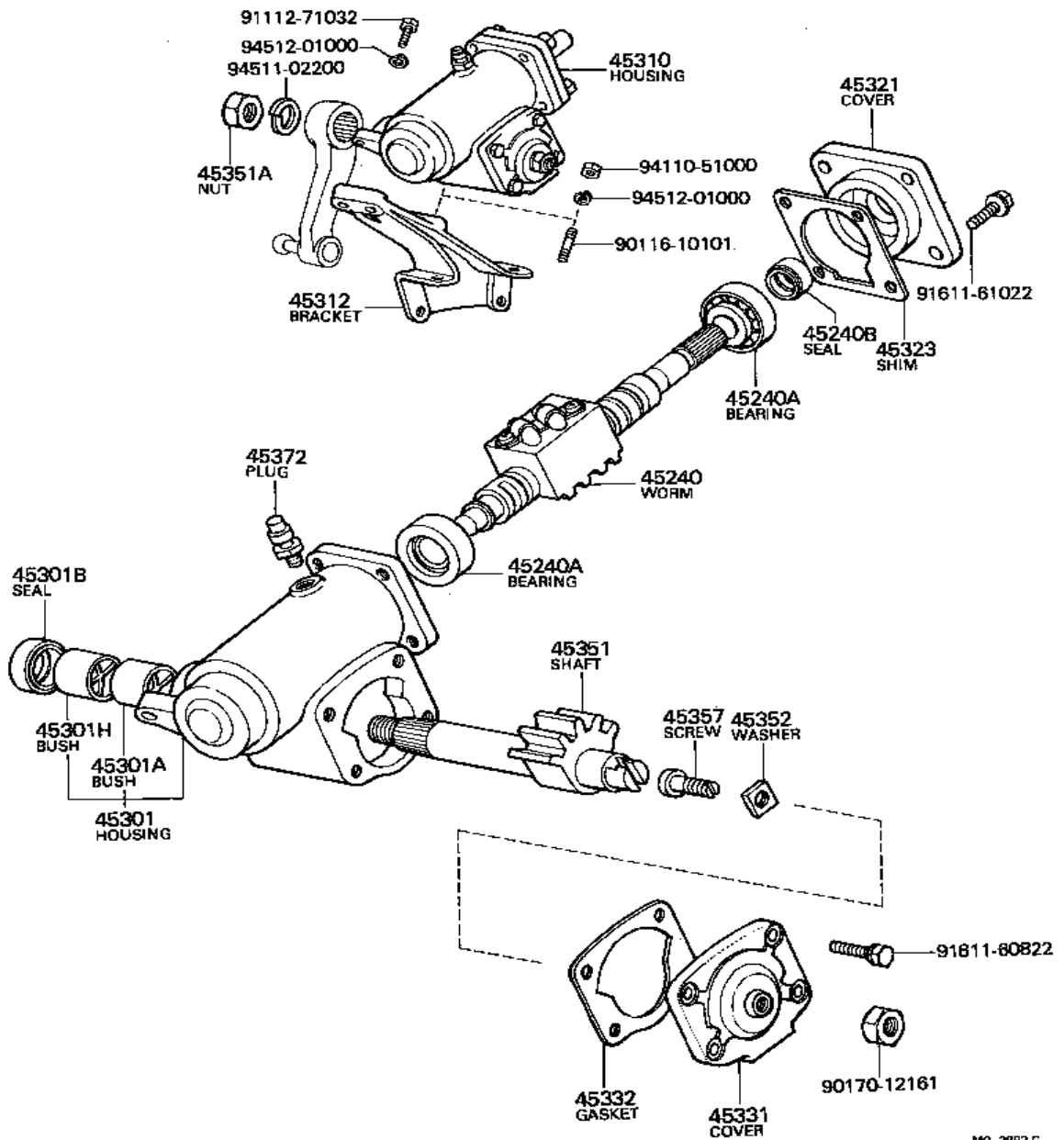




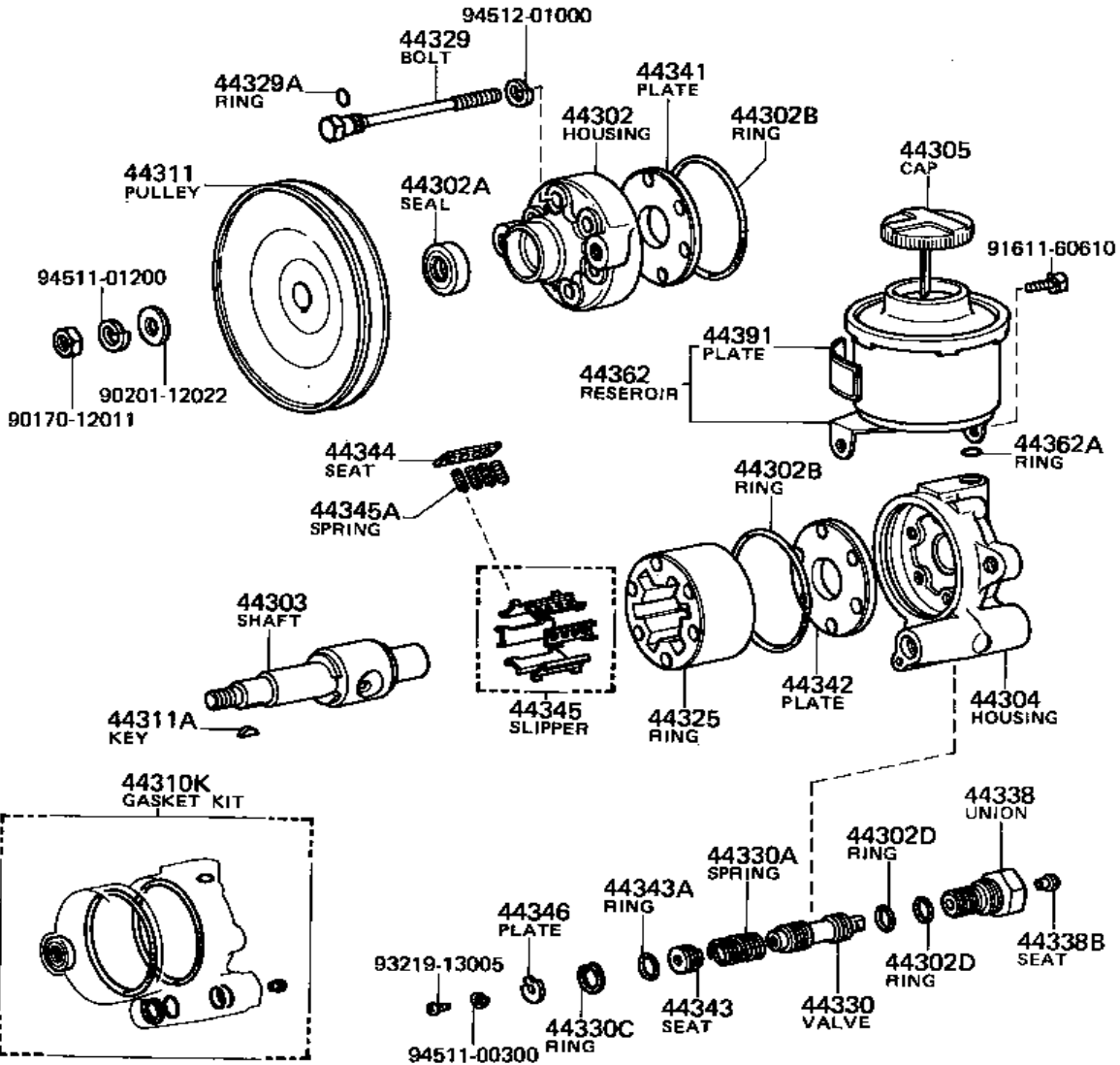
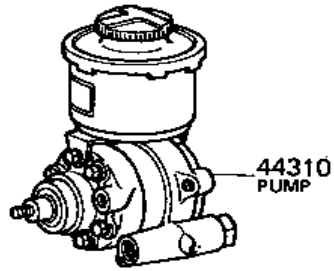
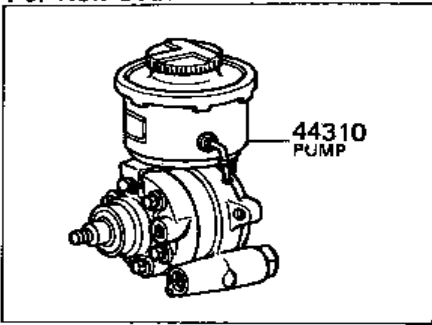
31470K
CYLINDER KIT

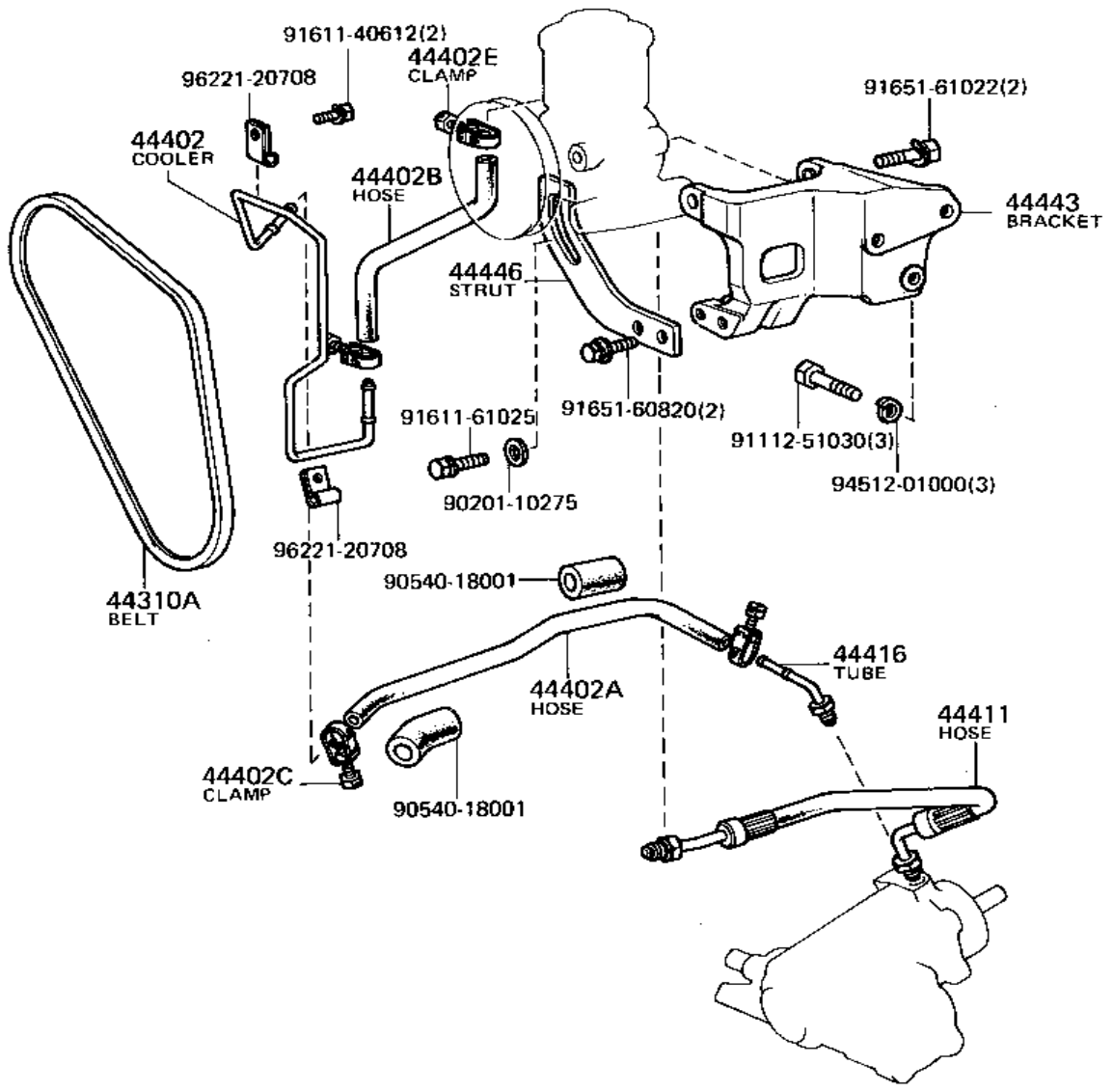


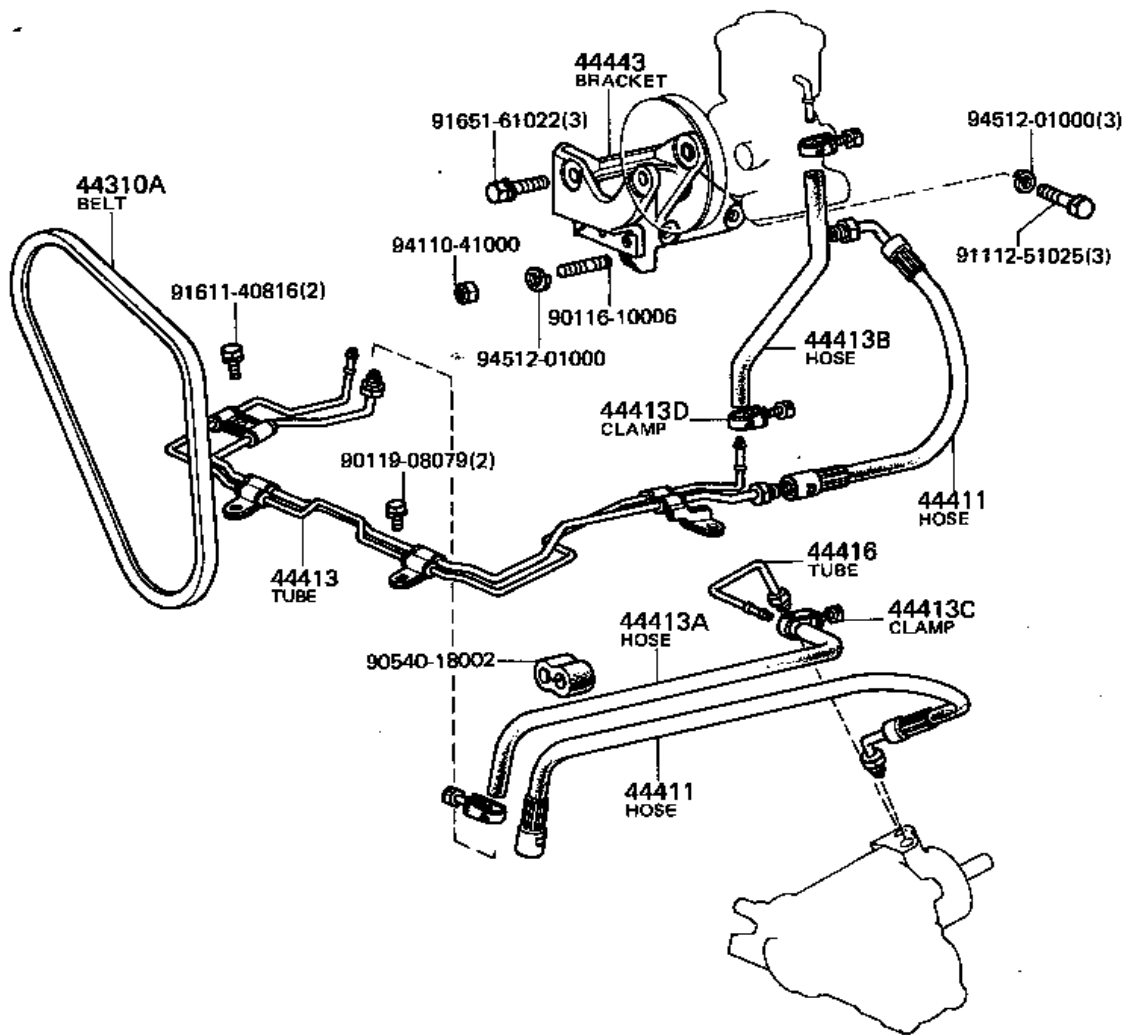




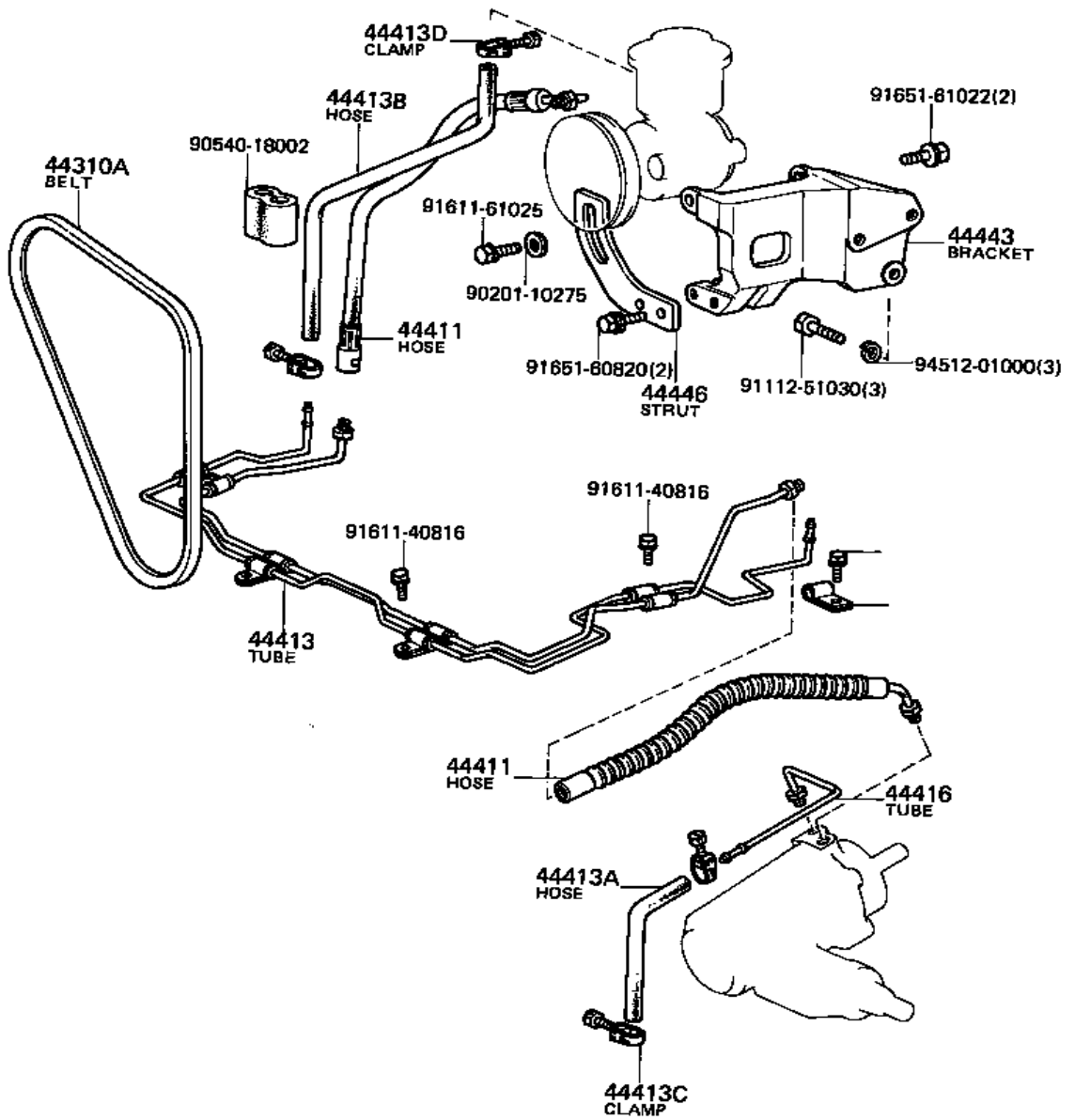
For New South Wales

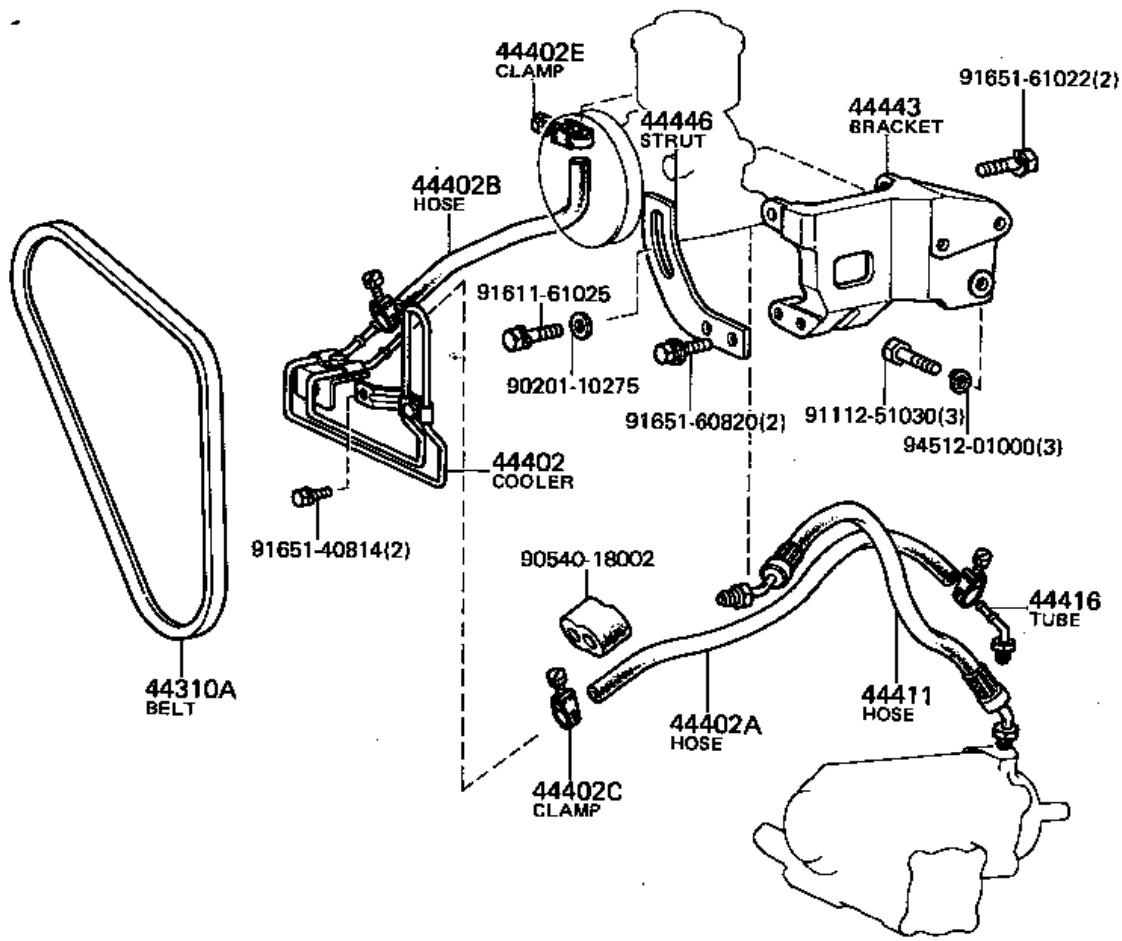


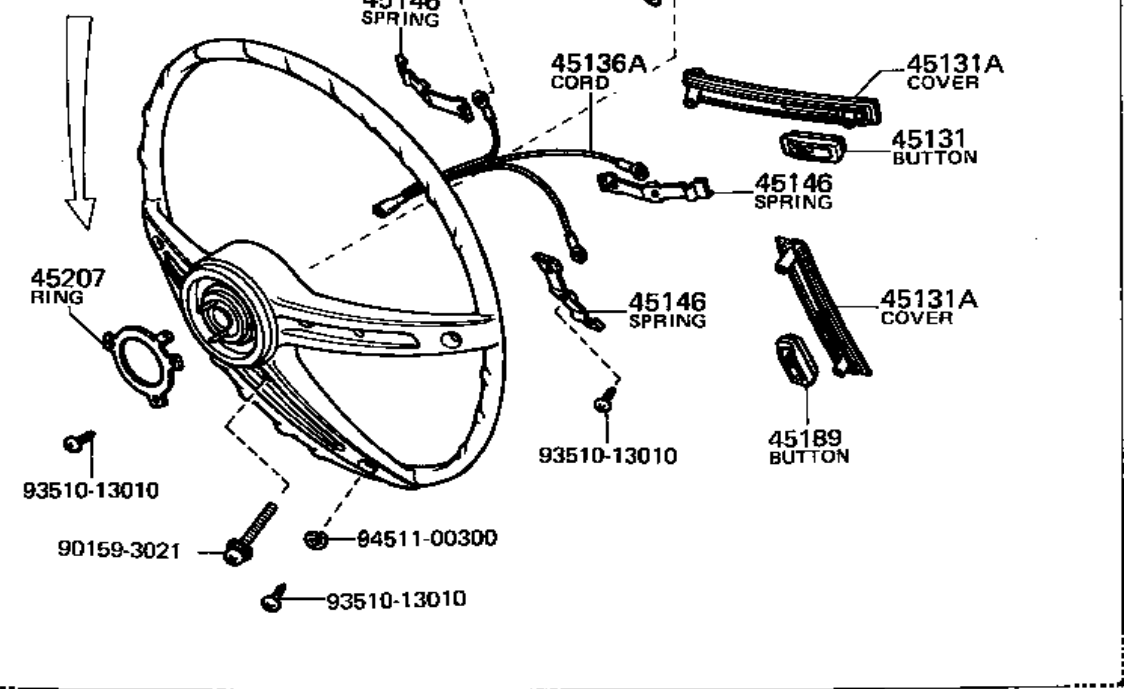
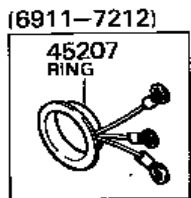


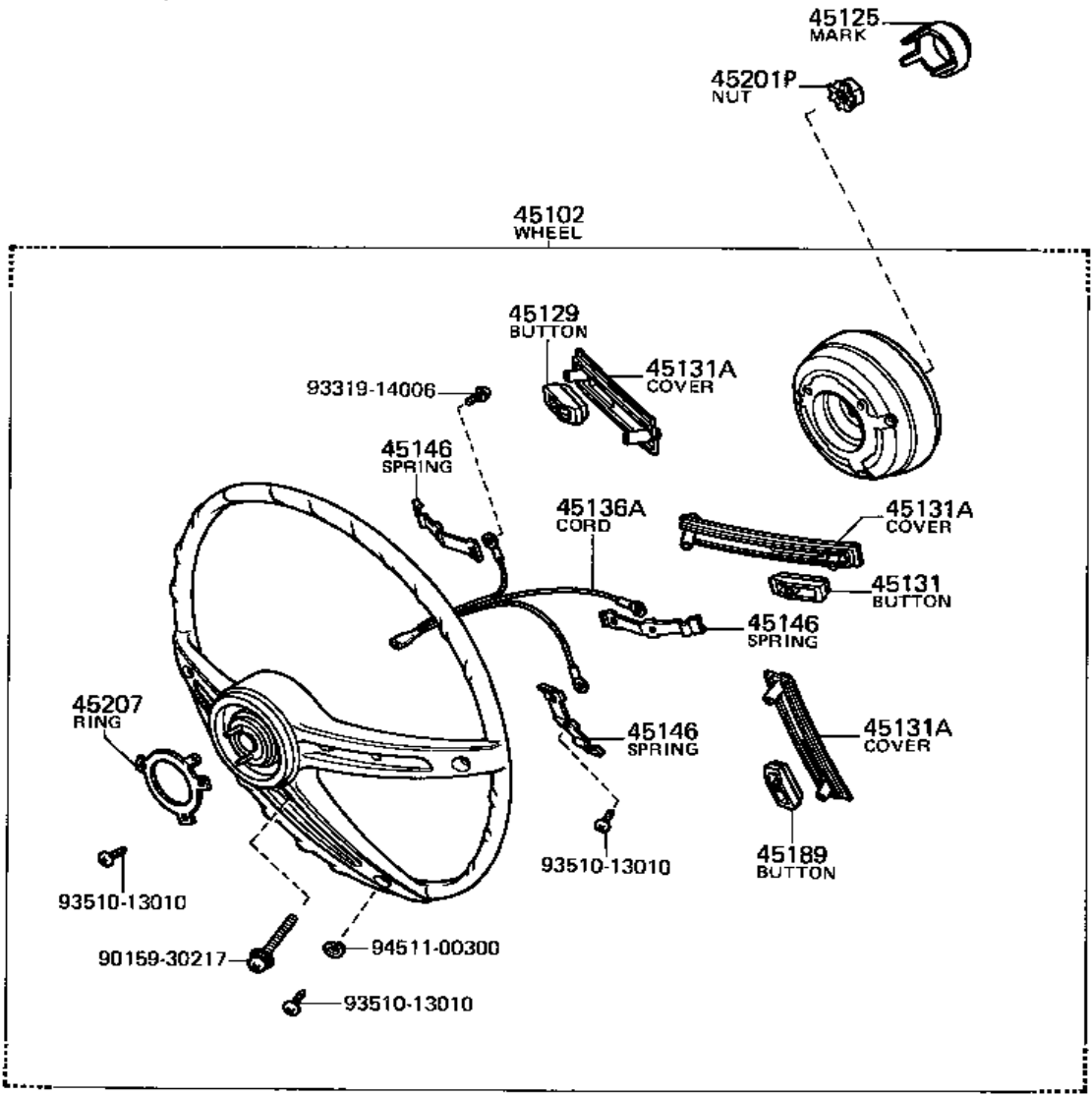


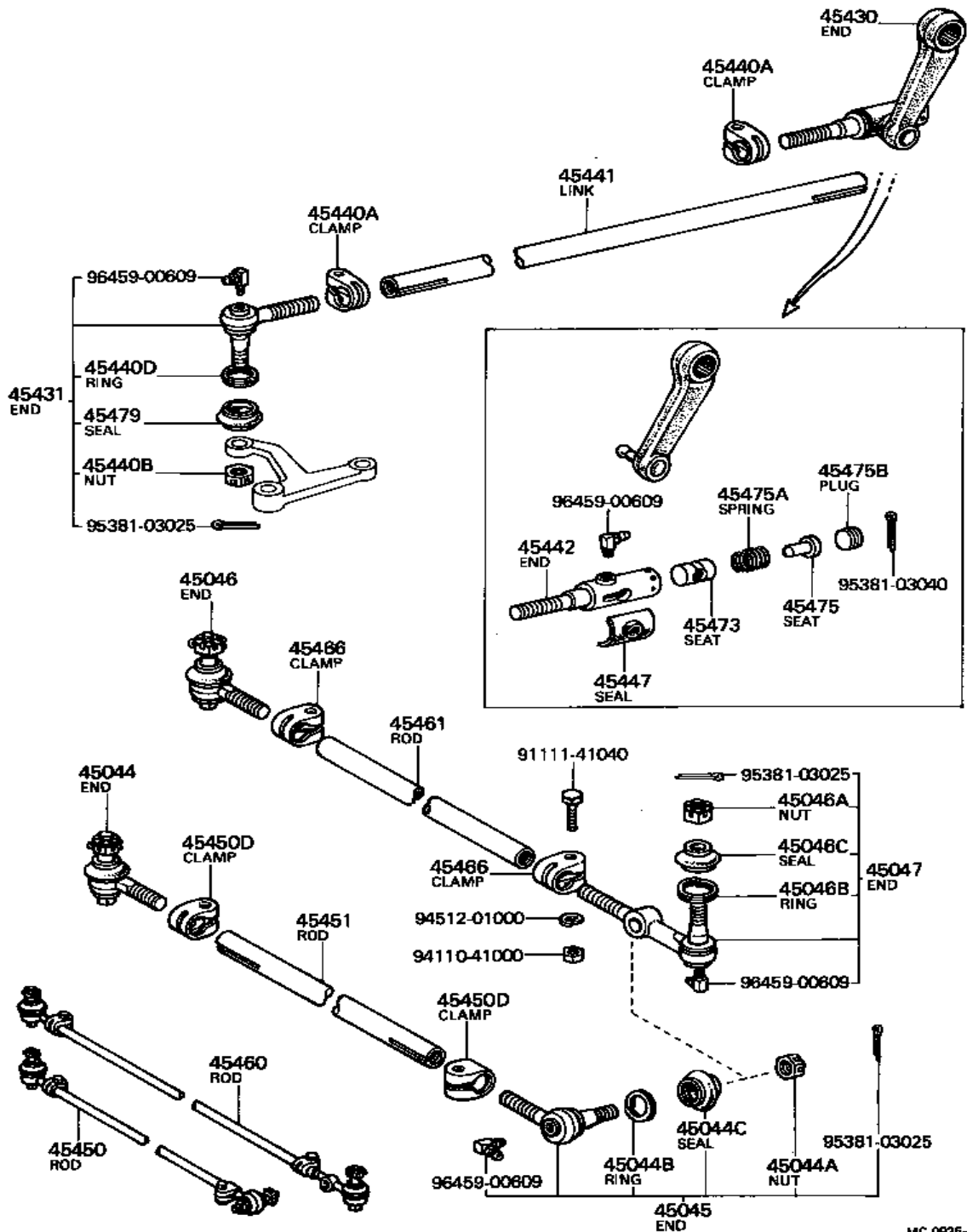
MC 8951-A

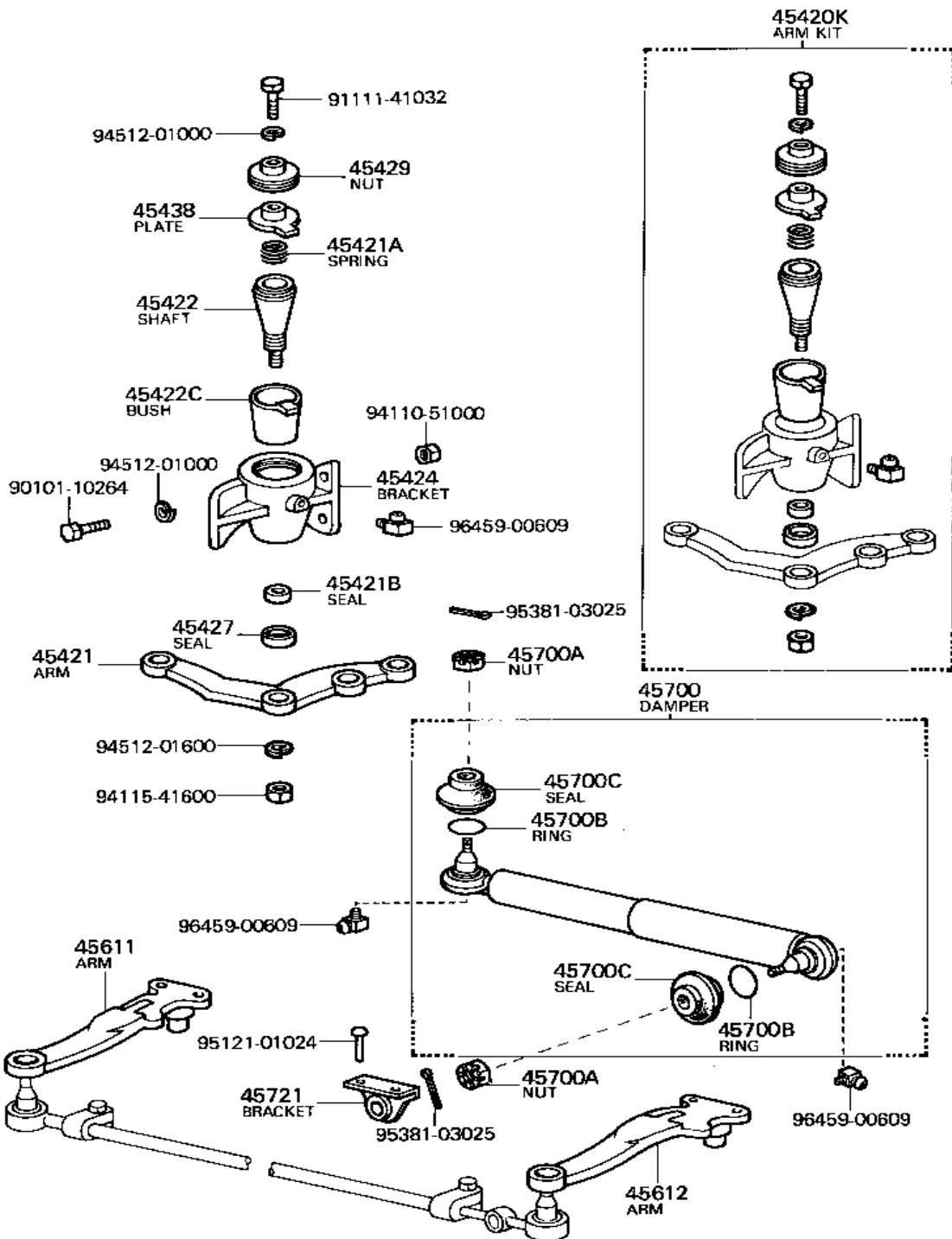


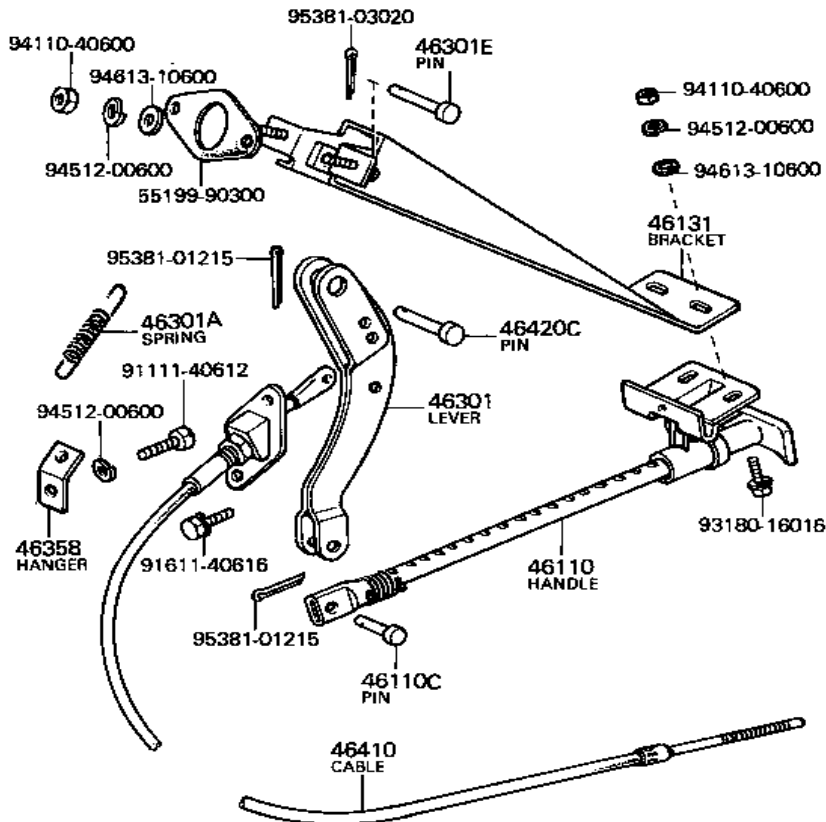




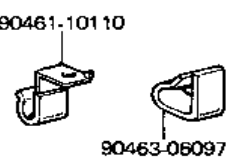
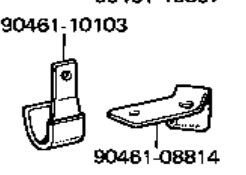
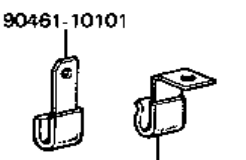
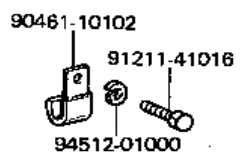






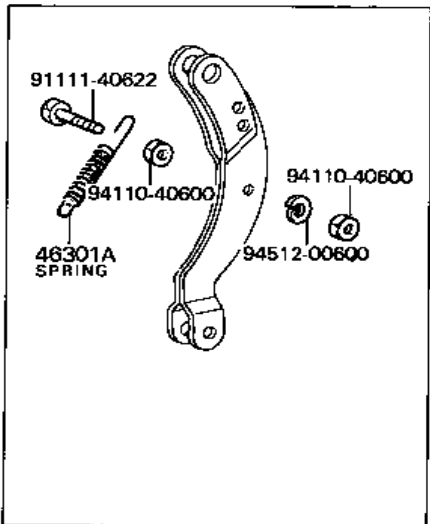
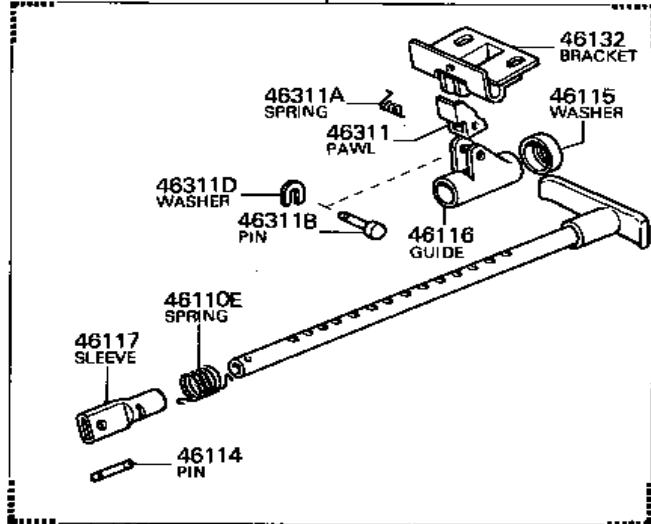


- 94110-40600
- 94512-00600
- 94613-10600

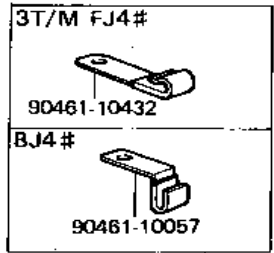
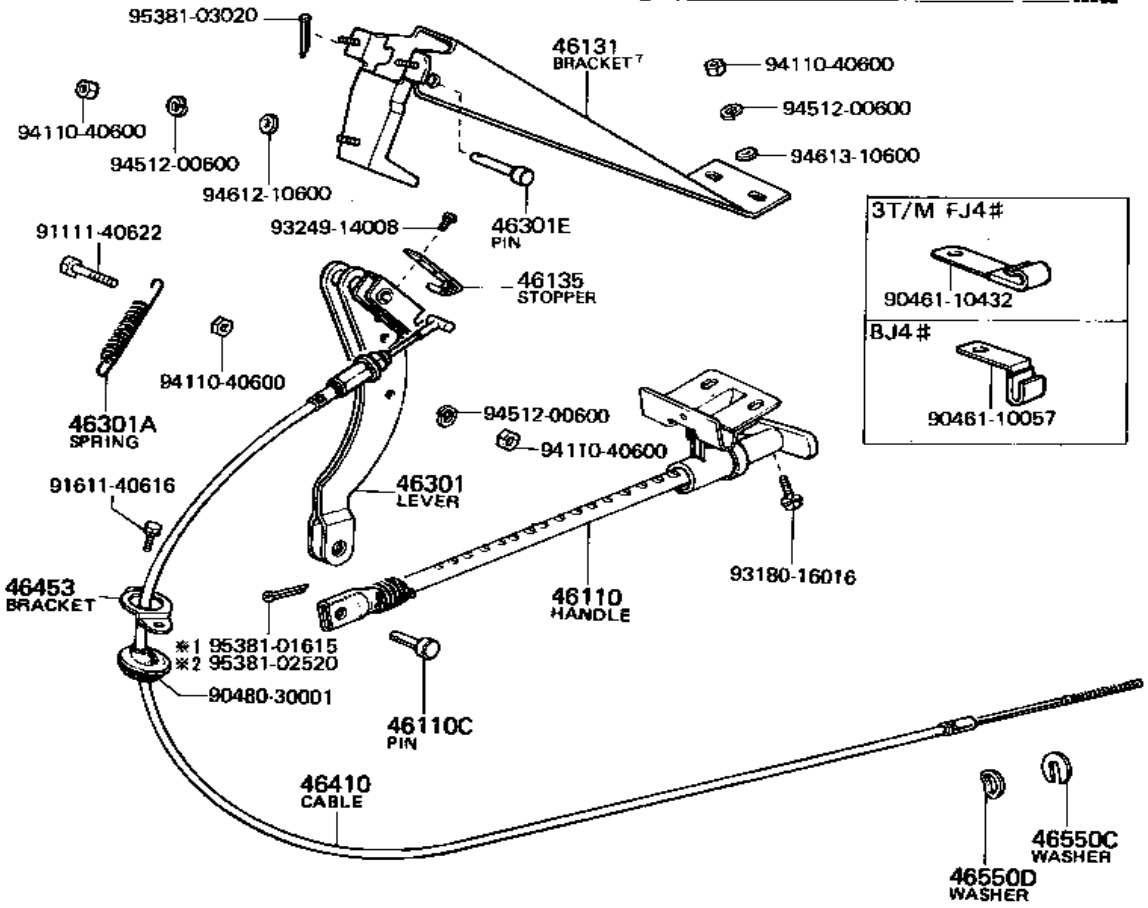
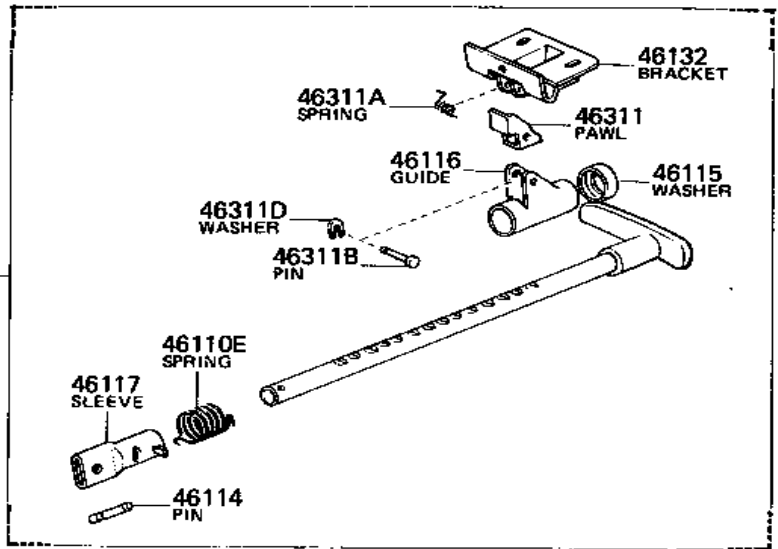


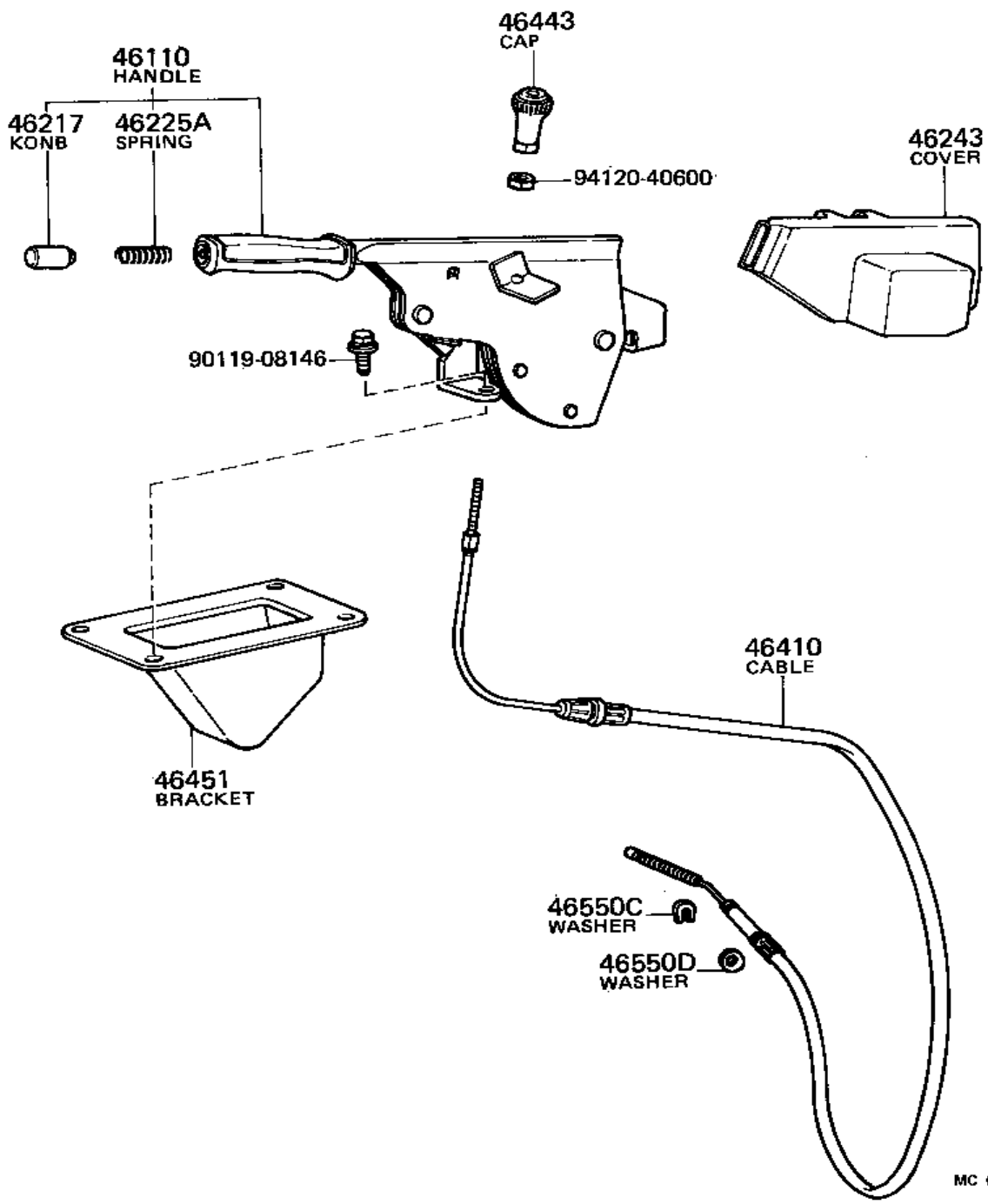
46110 HANDLE

(7007-7606)

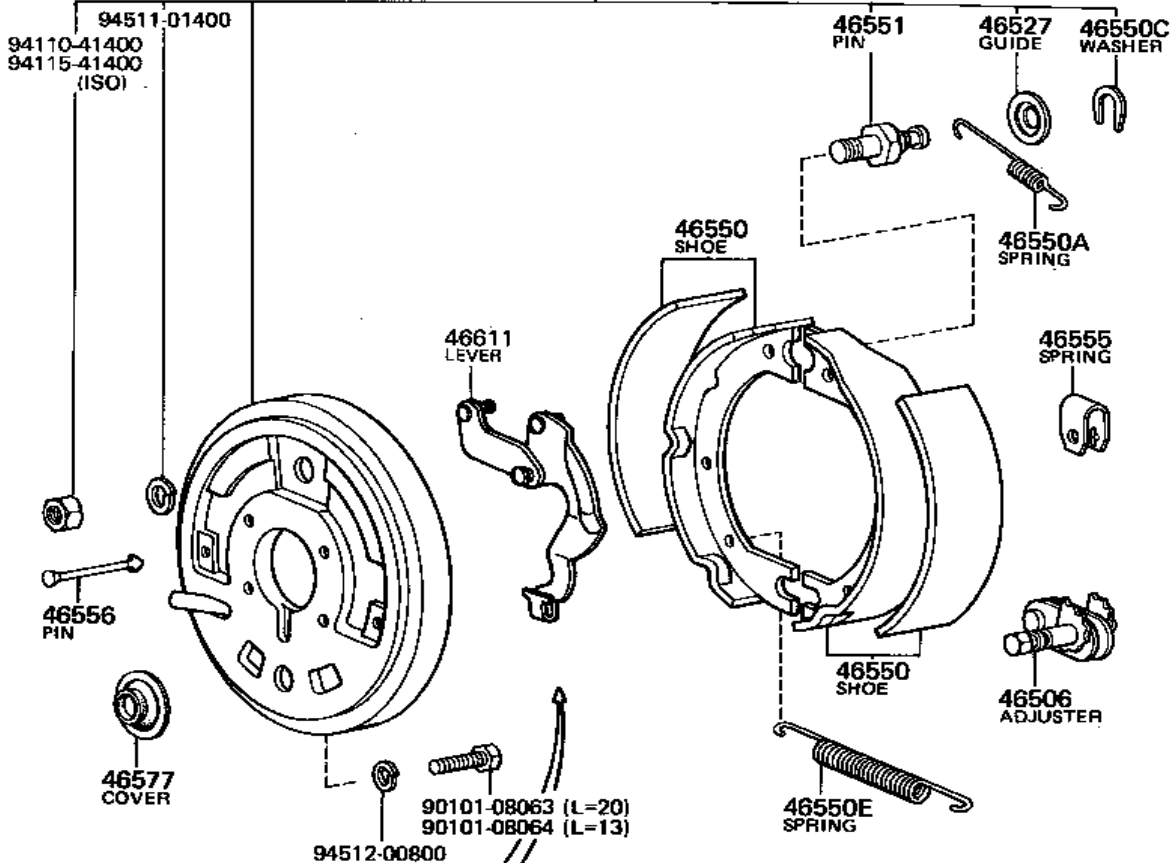


*1 (7603-7801)
*2 (7801-7901)

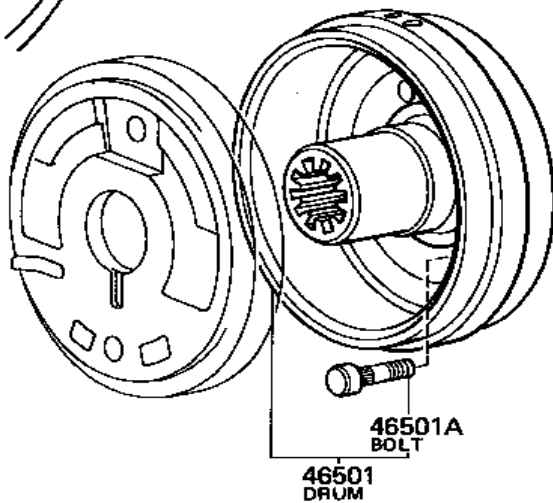
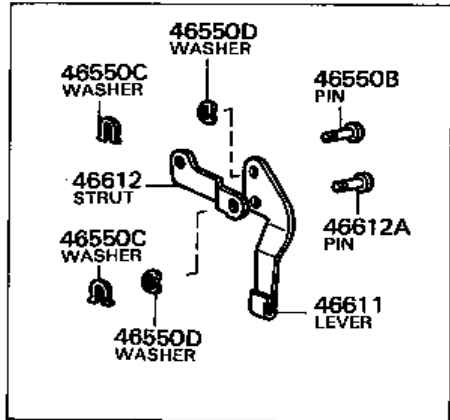




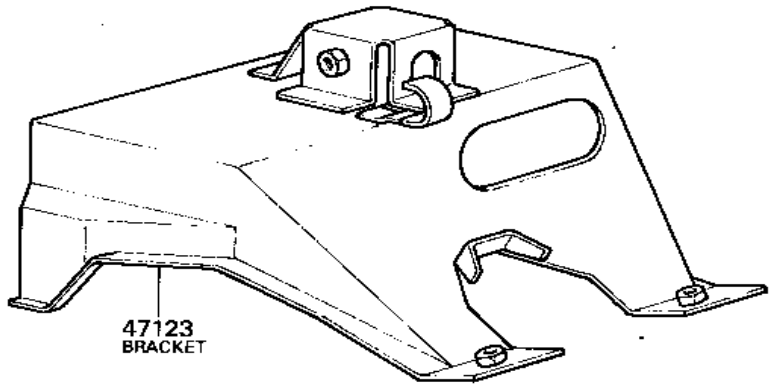
46520
PLATE



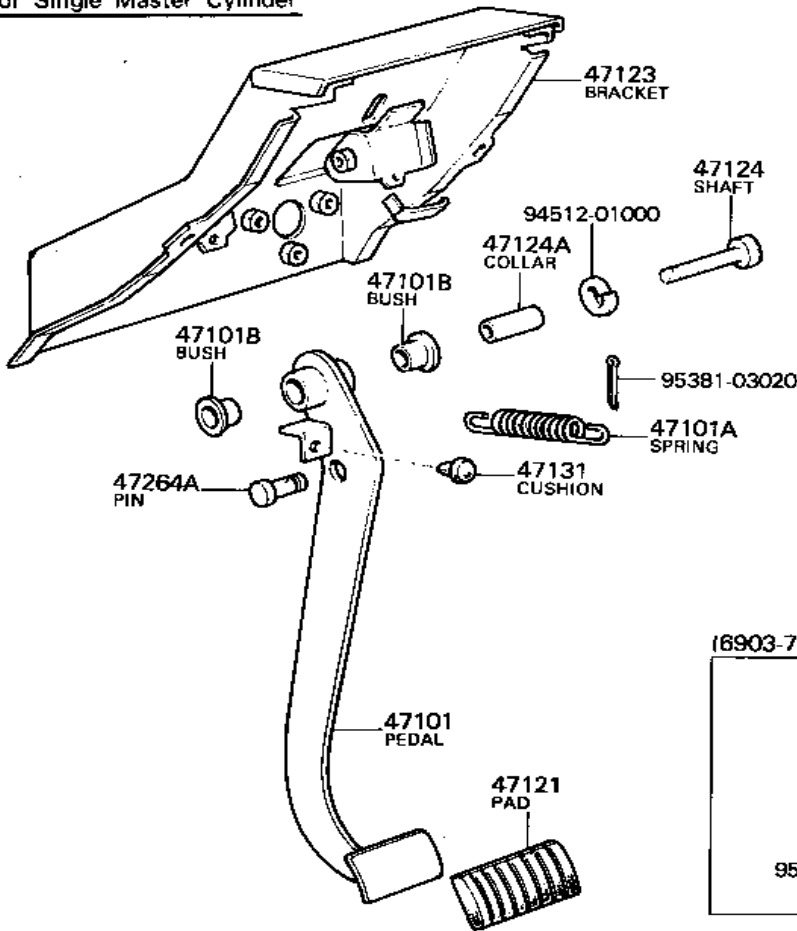
(-7808)



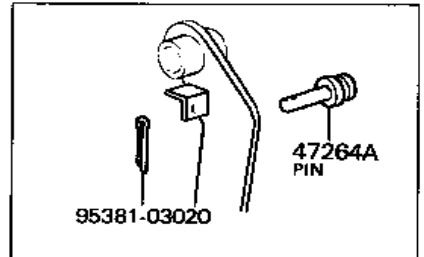
For Tandem Master Cylinder



For Single Master Cylinder



(6903-7504)

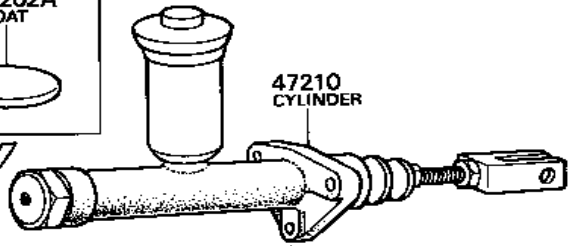


(6903-7303)

47202A
FLOAT



47210
CYLINDER



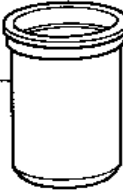
47230
CAP

47299
STRAINER

47202
RESERVOIR SET

47231
BOLT

47232
WASHER



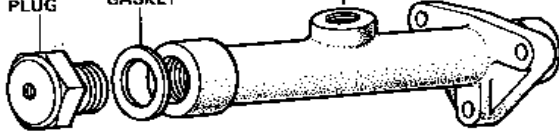
47210A
BOLT

94512-00800



47214
PLUG

47214A
GASKET



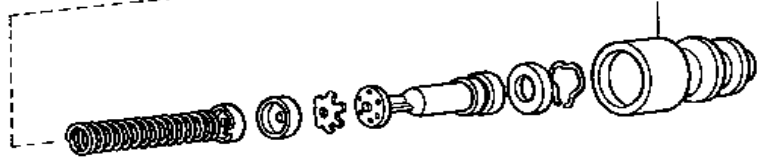
47285
GASKET

47282
SEAT

47280
VALVE



47265
BOOT



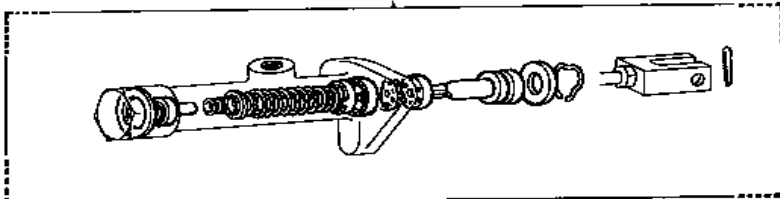
47261
ROD

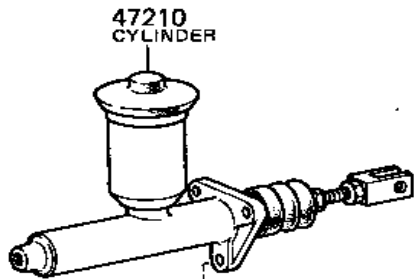
94120-41000

47264
CLEVIS



47210K
CYLINDER KIT





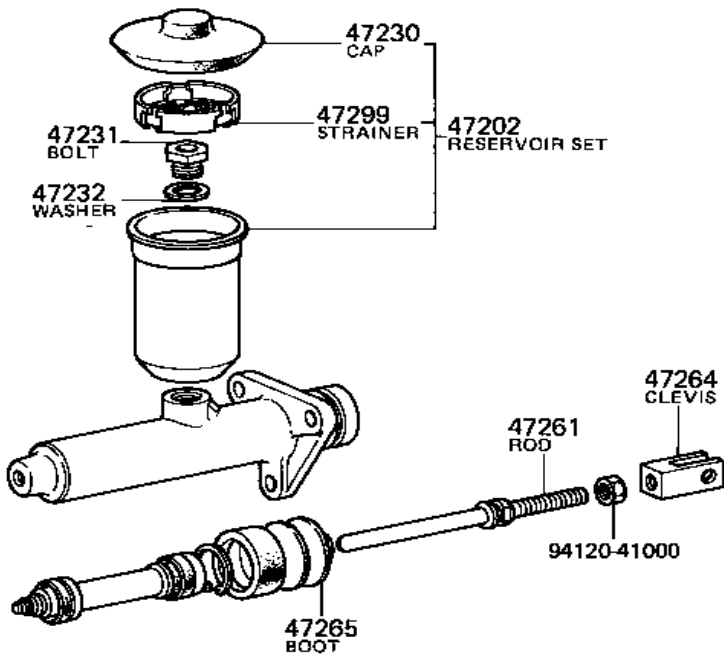
47210
CYLINDER



47210A
BOLT



94512-00800



47230
CAP

47231
BOLT

47232
WASHER

47299
STRAINER

47202
RESERVOIR SET

47261
ROD

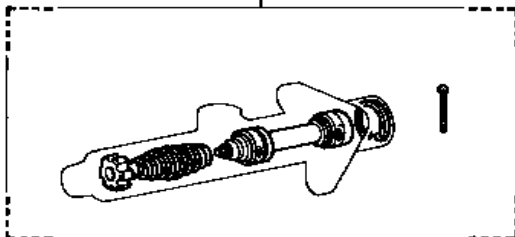
47264
CLEVIS

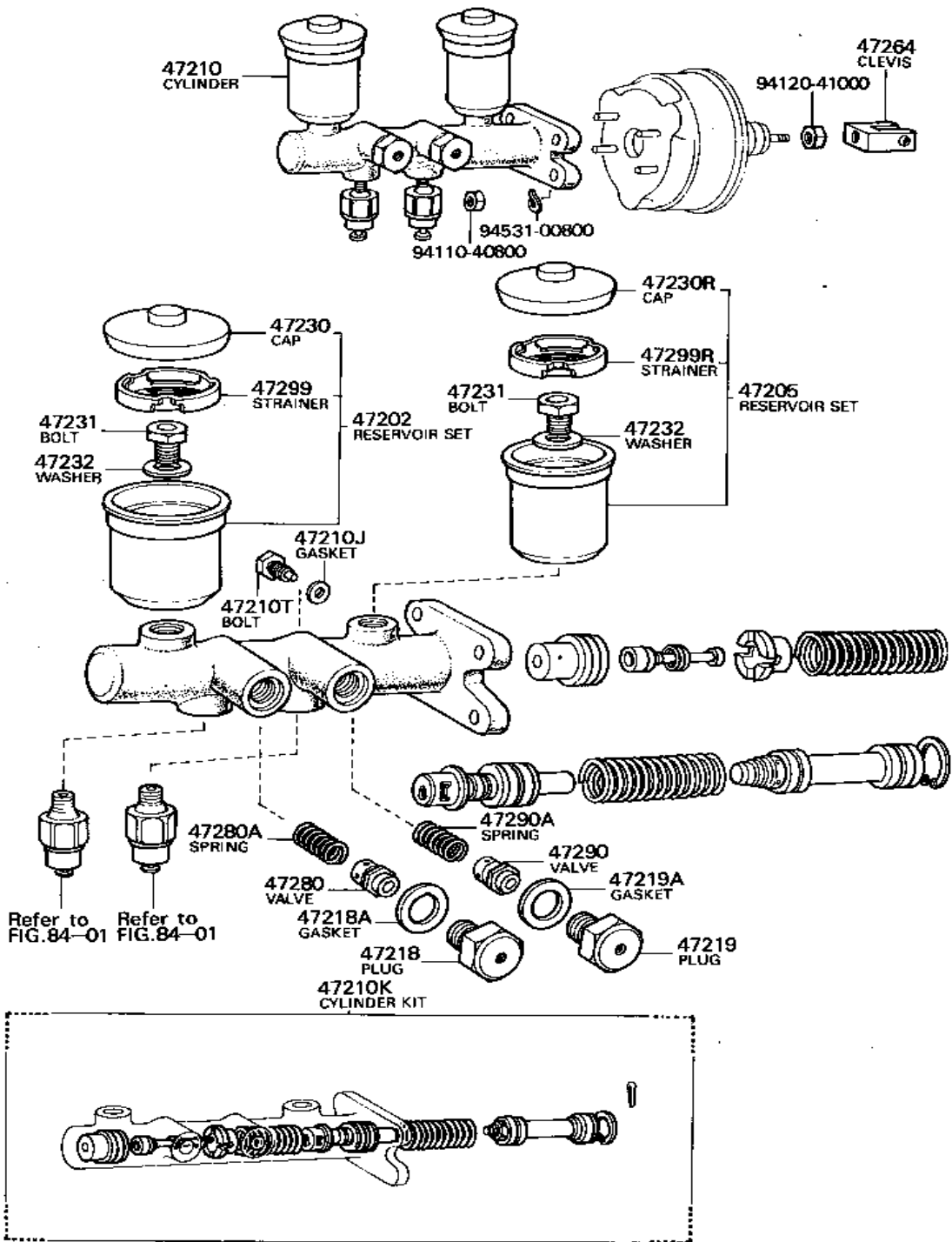
94120-41000

47265
BOOT

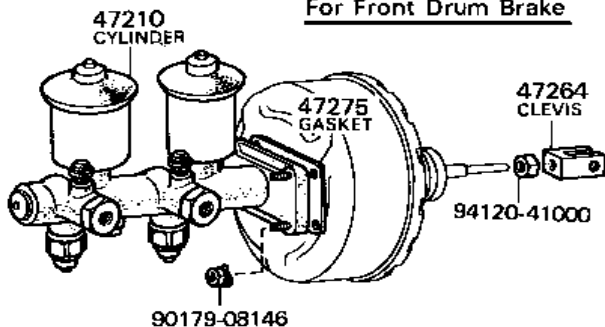
47280
VALVE

47210K
CYLINDER KIT

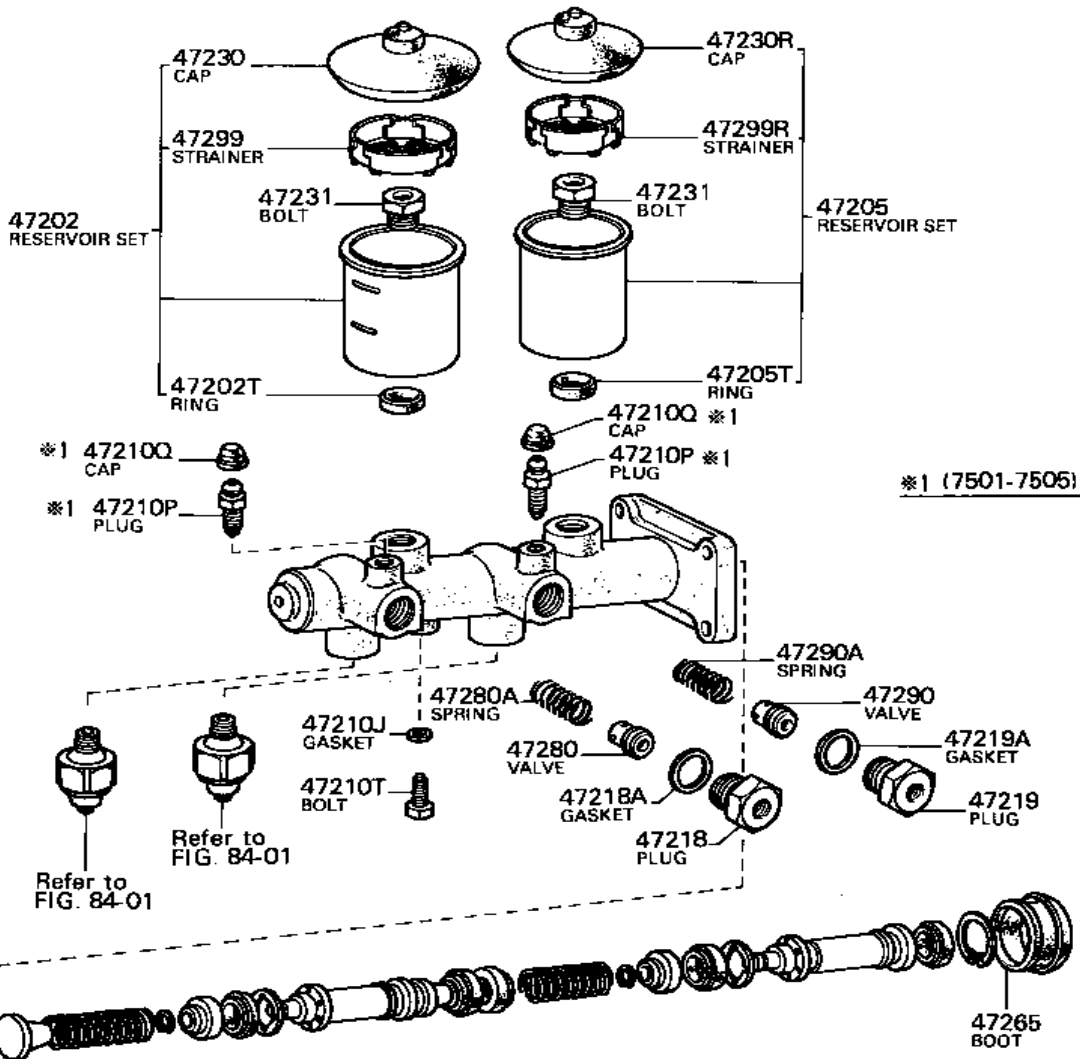
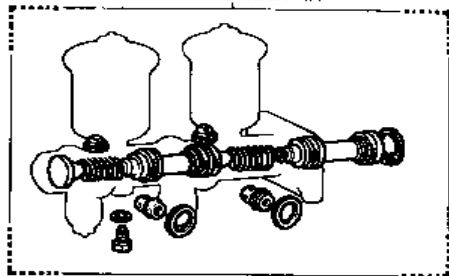




For Front Drum Brake



**47210K
CYLINDER KIT**



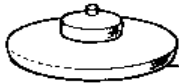
47210
CYLINDER

94120-41000

47264
CLEVIS

90179-08146

For Front Disc Brake



47230
CAP

47299
STRAINER

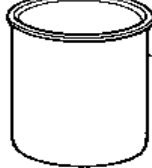
47231
BOLT



47230R
CAP

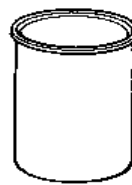
47299R
STRAINER

47231
BOLT



47202
RESERVOIR SET

47202T
RING



47205
RESERVOIR SET

47205T
RING



47219
PLUG



47219A
GASKET



47290
VALVE



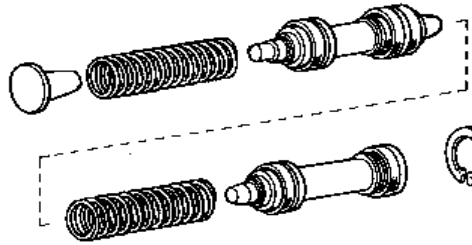
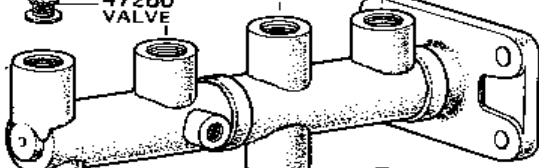
47218
PLUG



47218A
GASKET



47280
VALVE



47265
BOOT

47210J
GASKET



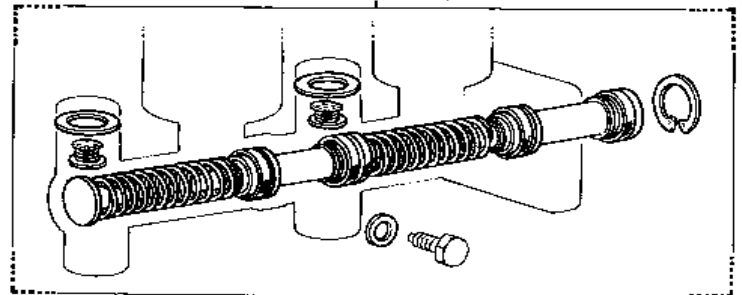
47210T
BOLT



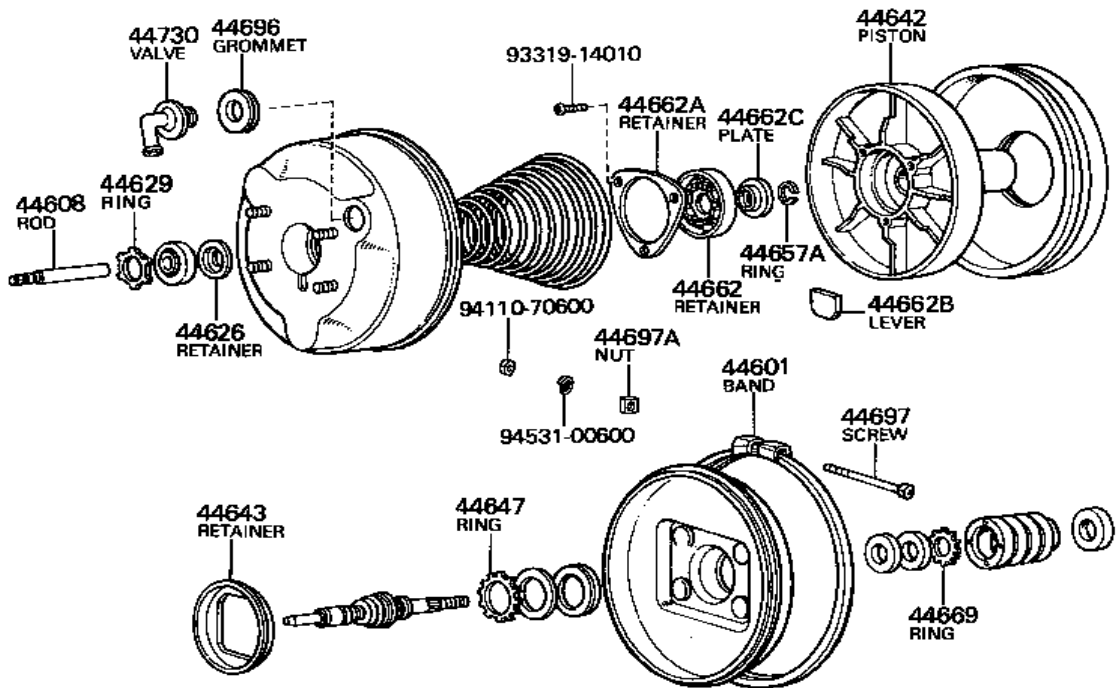
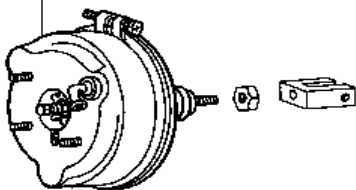
47210K
CYLINDER KIT

Refer to
FIG. 84-01

Refer to
FIG. 84-01

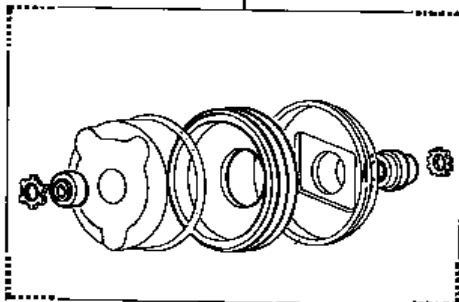


44610
BOOSTER



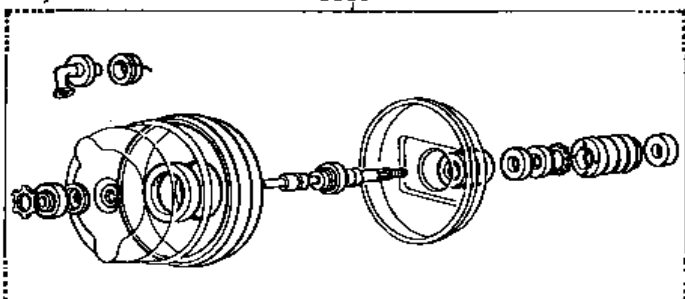
Minor Kit

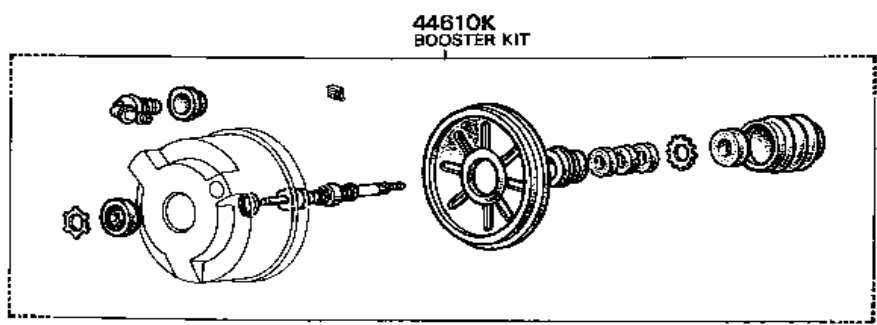
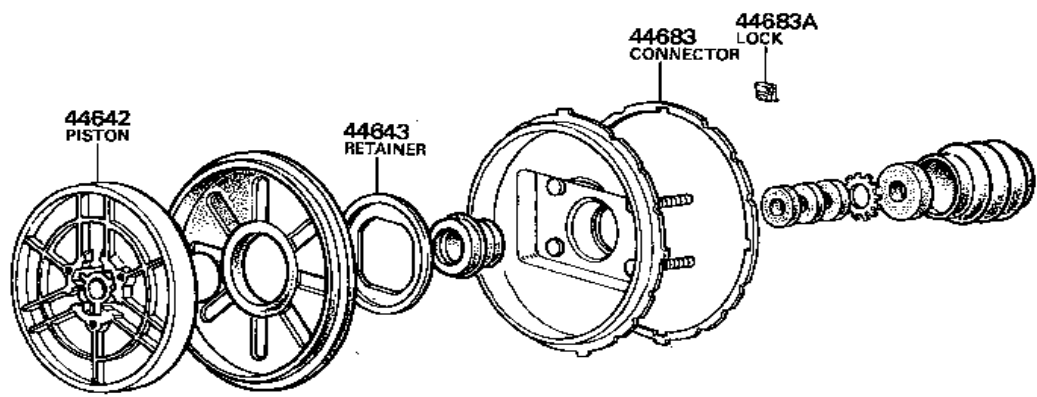
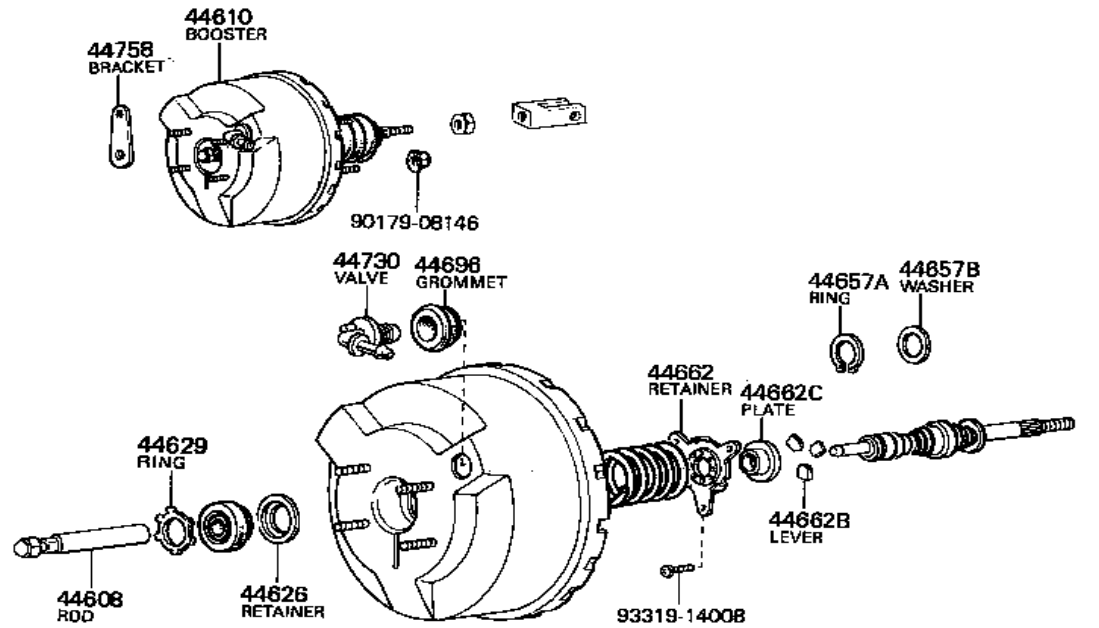
44610K
BOOSTER KIT

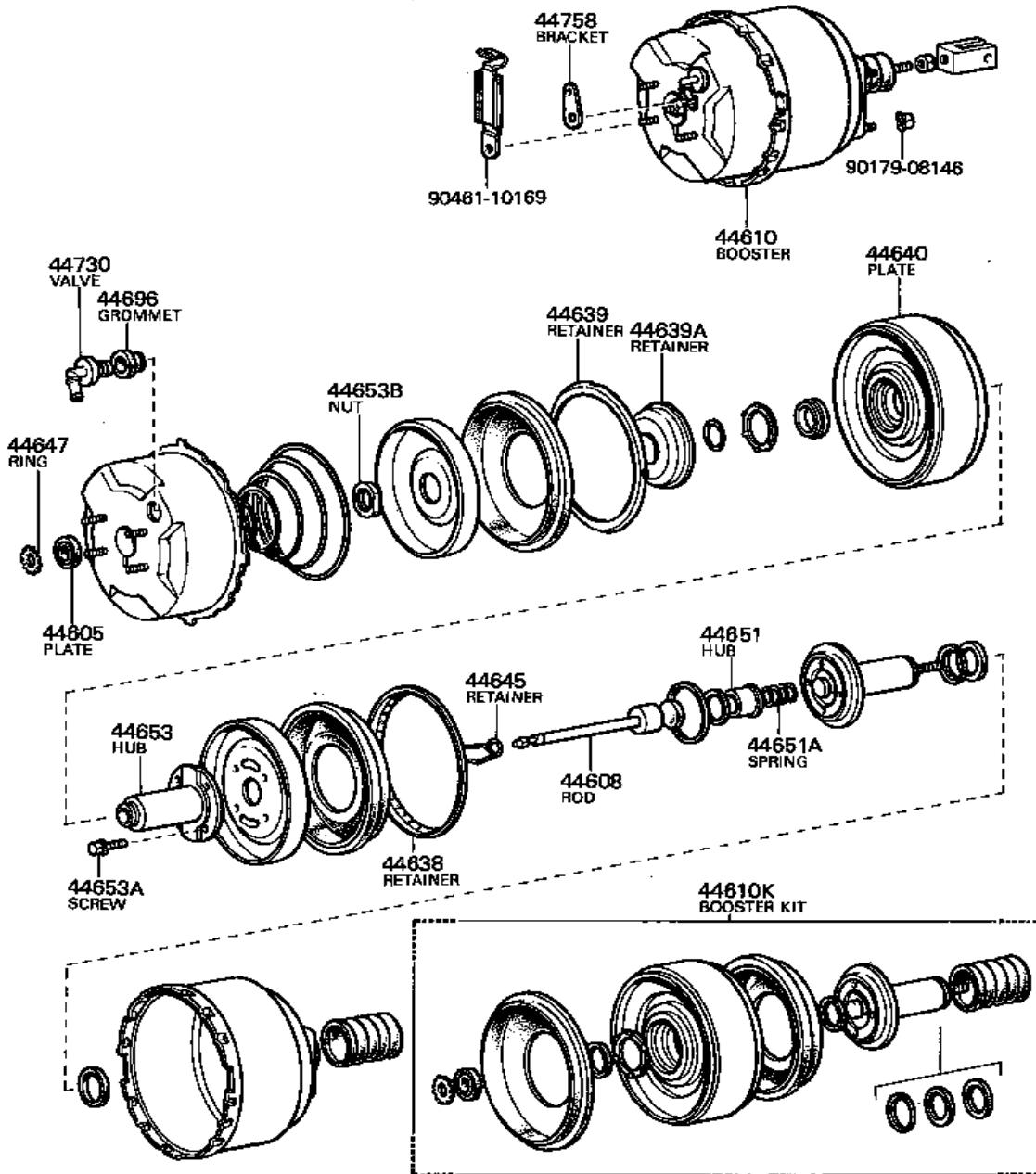


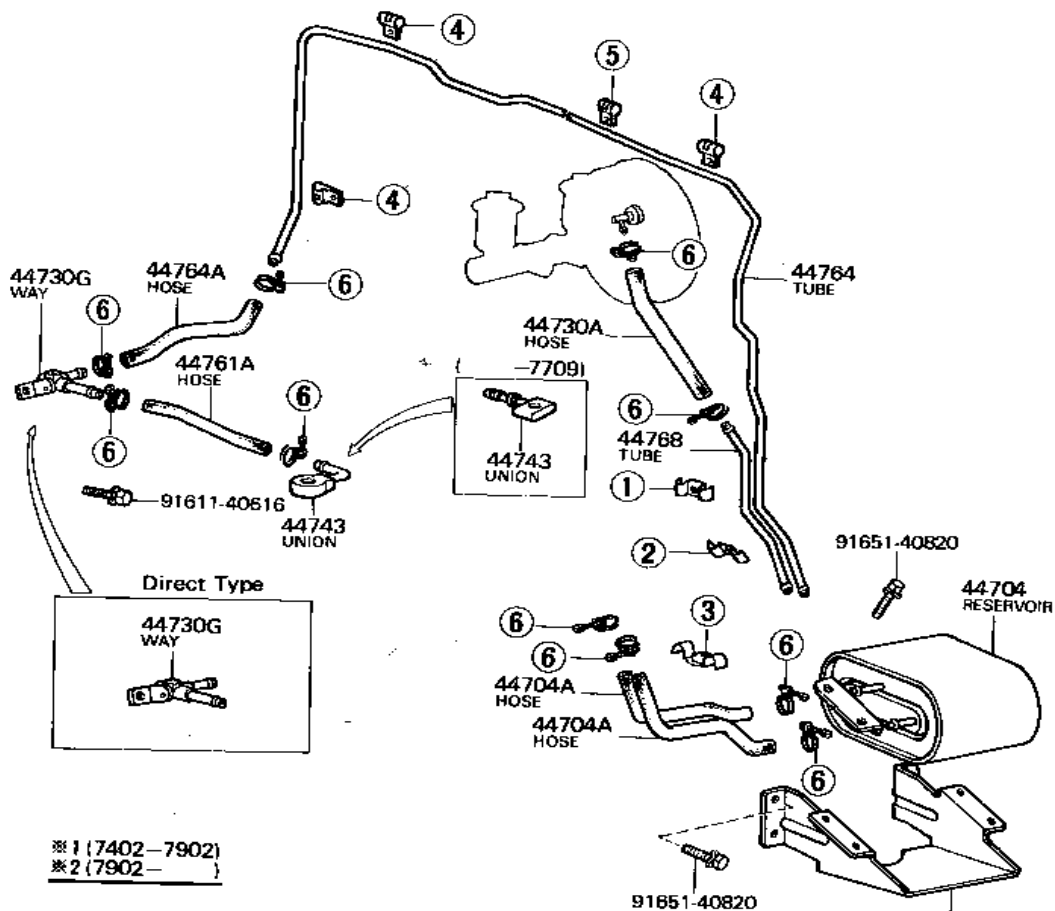
Major Kit

44610K
BOOSTER KIT

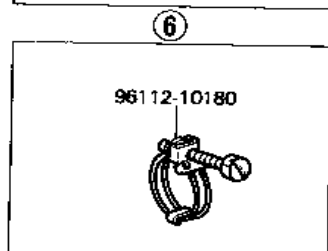
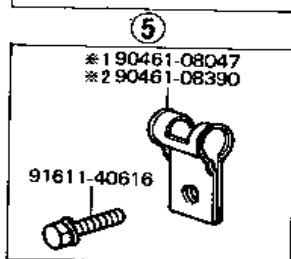
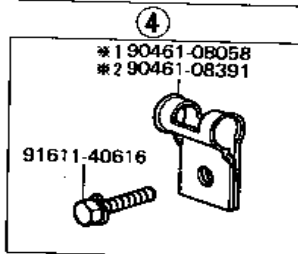
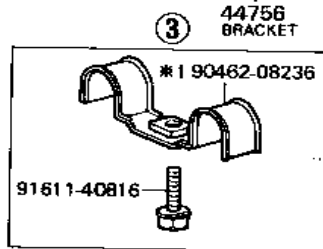
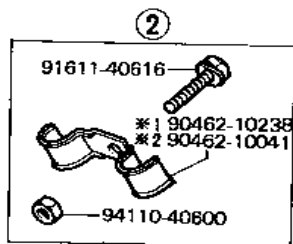
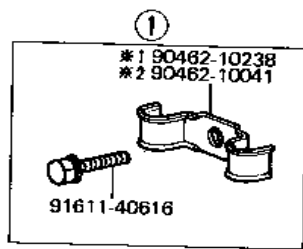


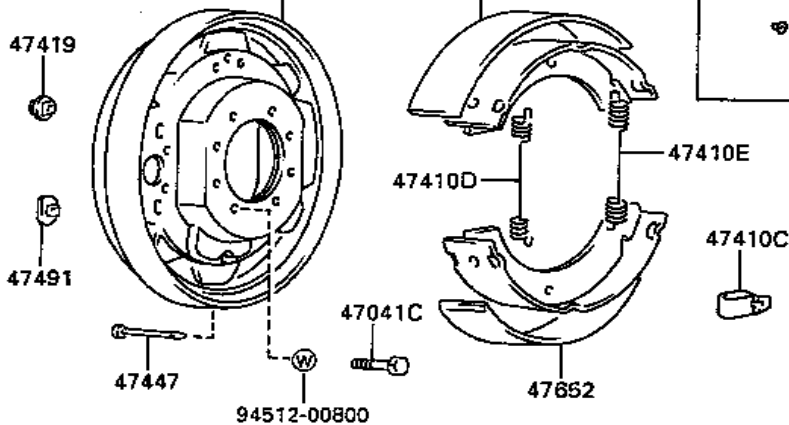
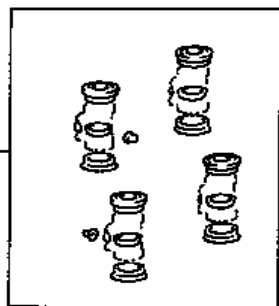
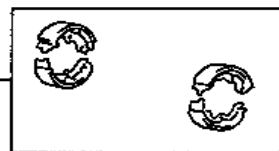
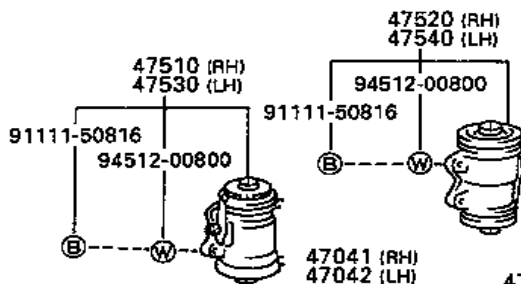
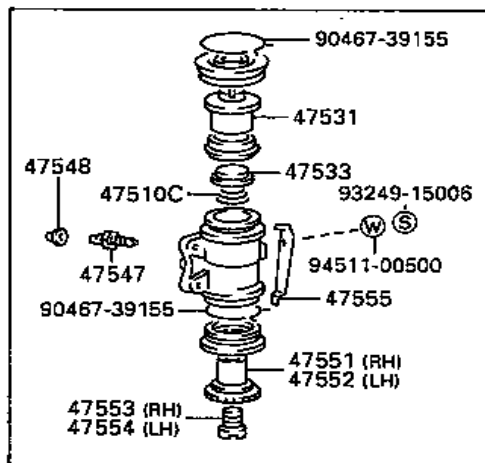
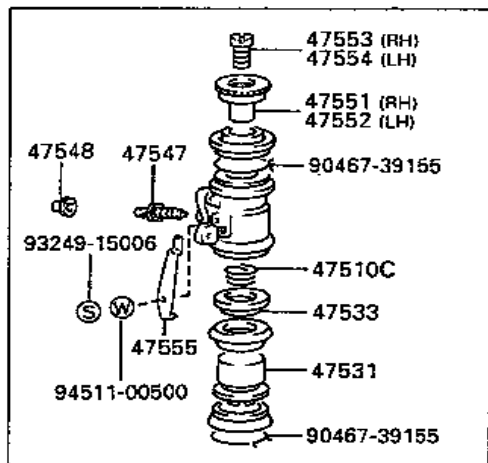


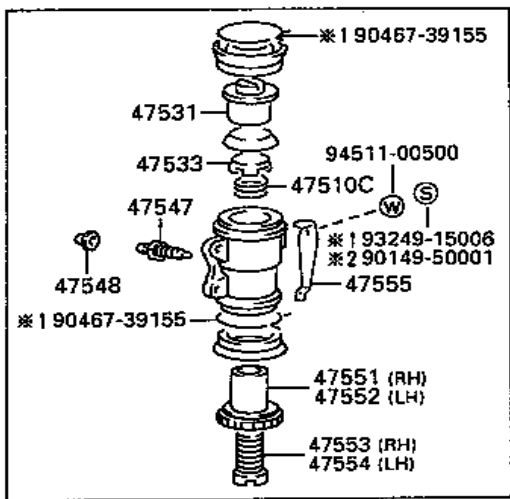
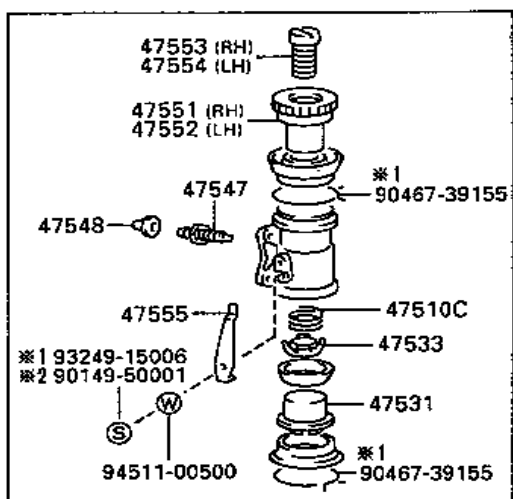




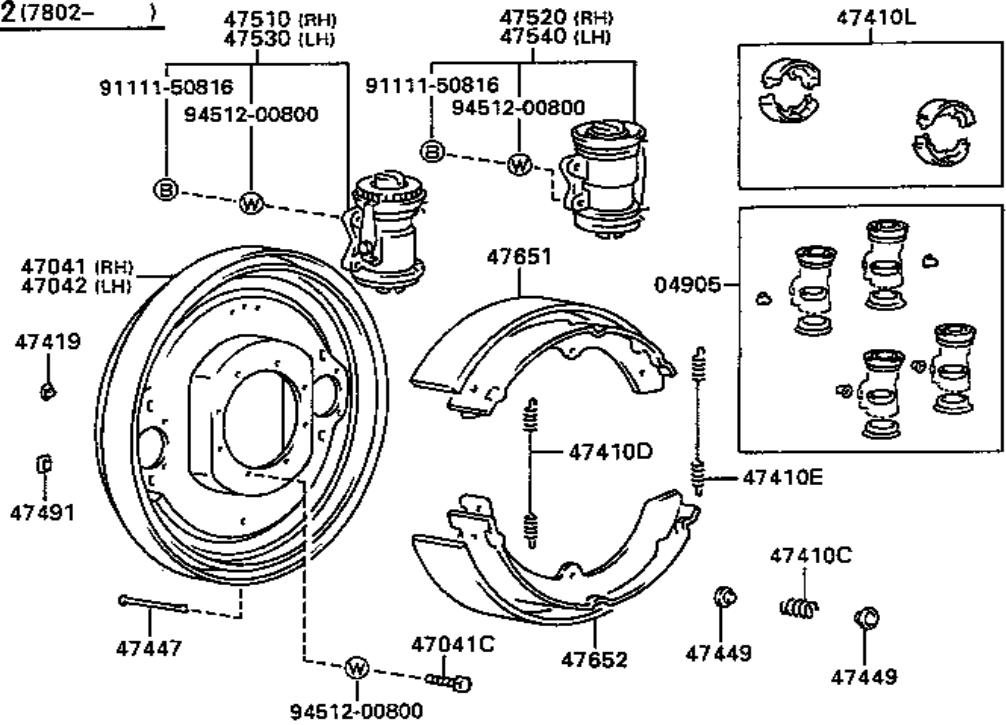
※1 (7402-7902)
 ※2 (7902-)

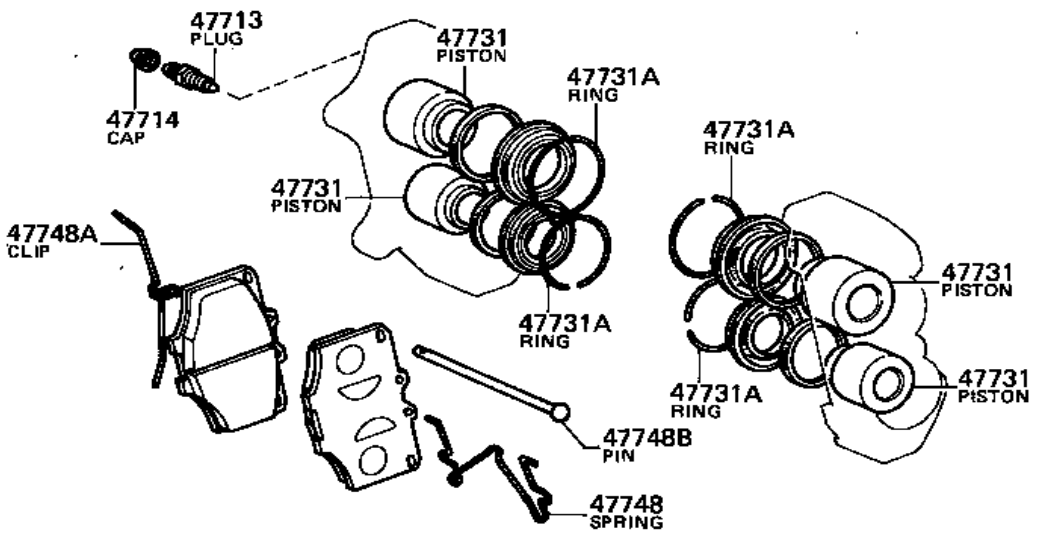
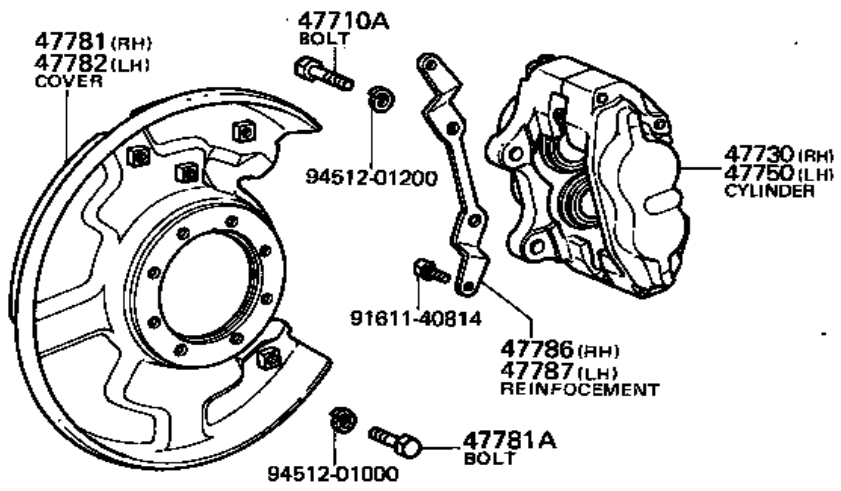






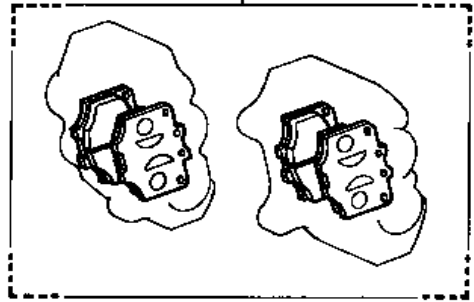
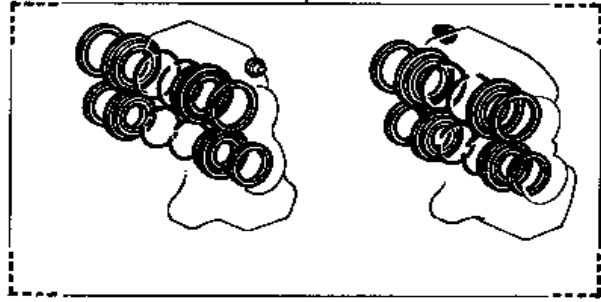
*1 (-7802)
*2 (7802-)





47710K
CYLINDER KIT

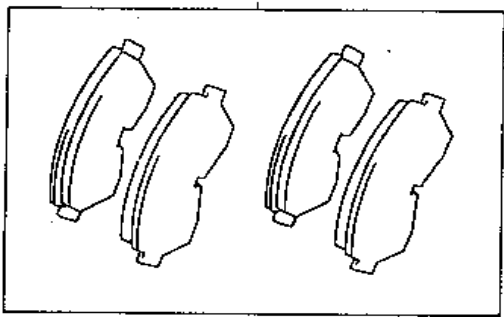
47710L
PAD KIT



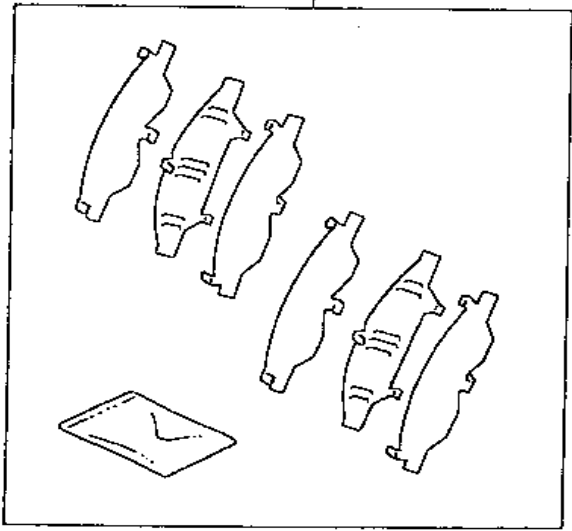
CAUTION

THE COMPONENT PARTS FOR PNC'S 04465, 04945 AND 04947 DO NOT ALWAYS MATCH THESE ILLUSTRATIONS. (EX. SHAPE, QUANTITIES, ETC.) BECAUSE THESE ILLUSTRATIONS ARE USED IN COMMON.

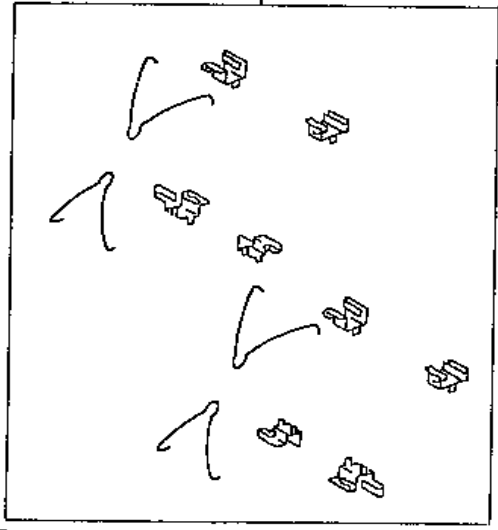
04465

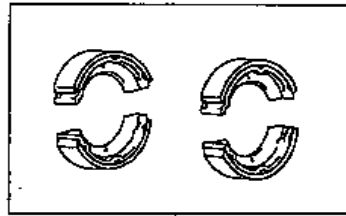


04945

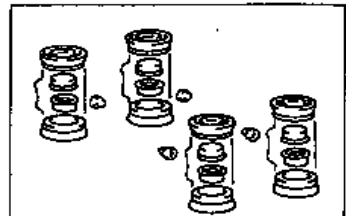


04947

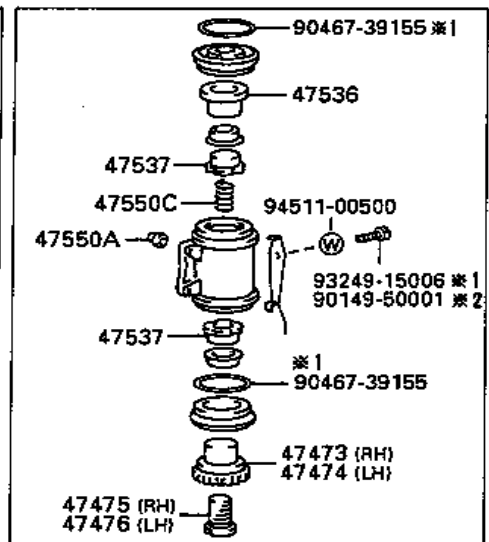
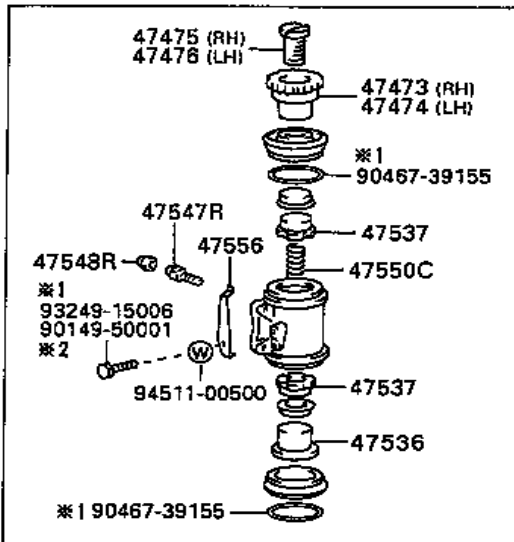
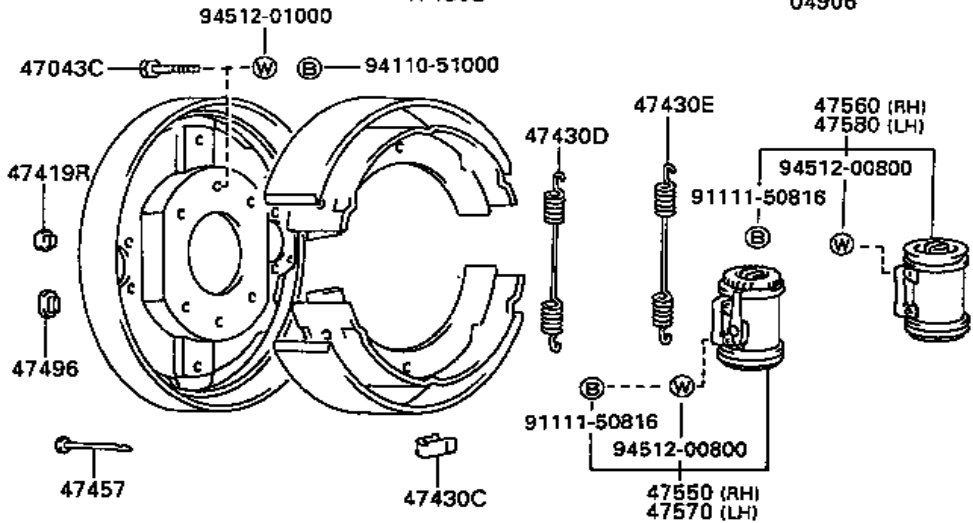


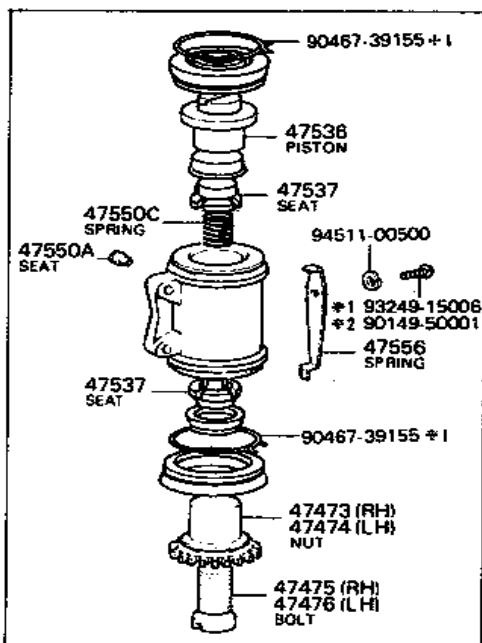
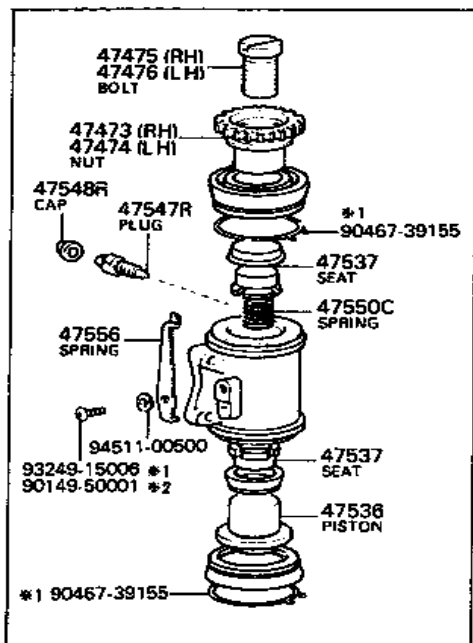


47430L



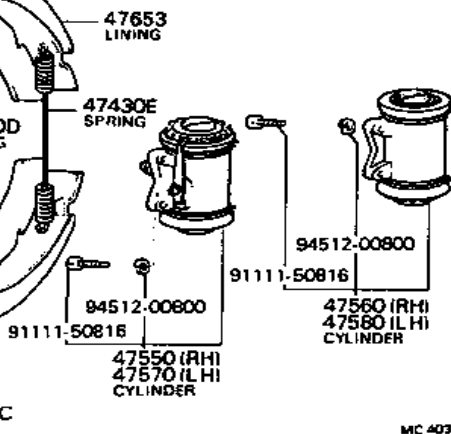
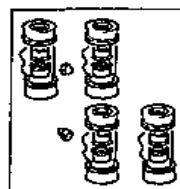
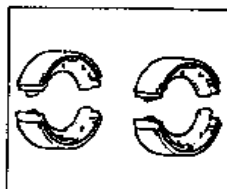
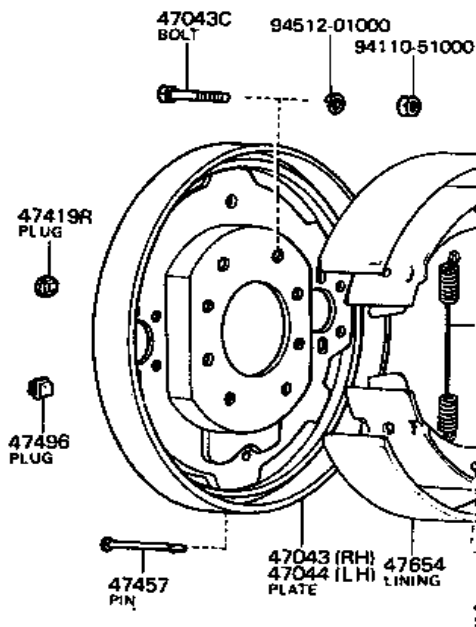
04906





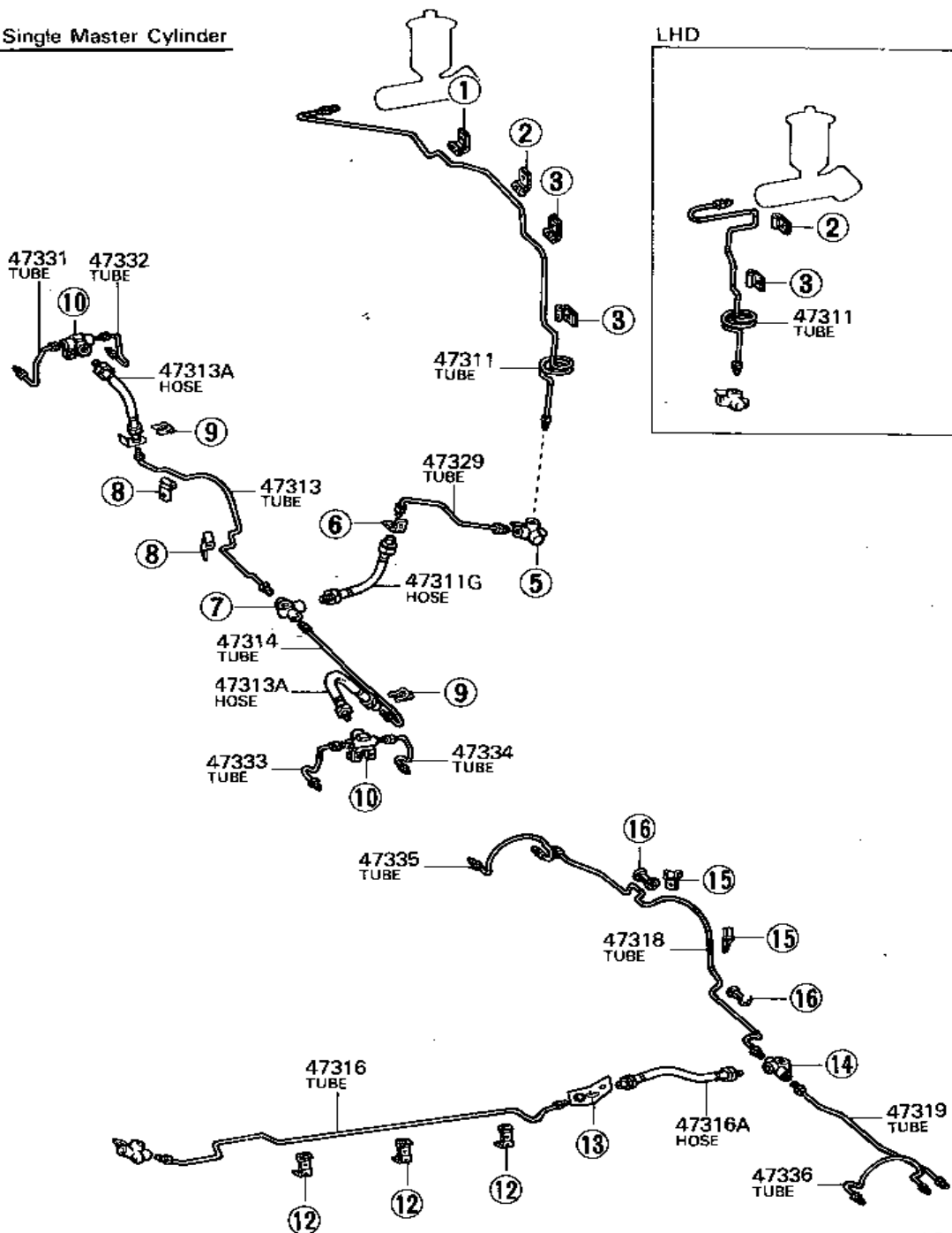
Full Floating Axle

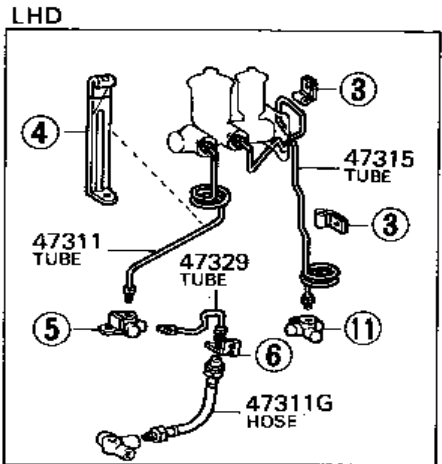
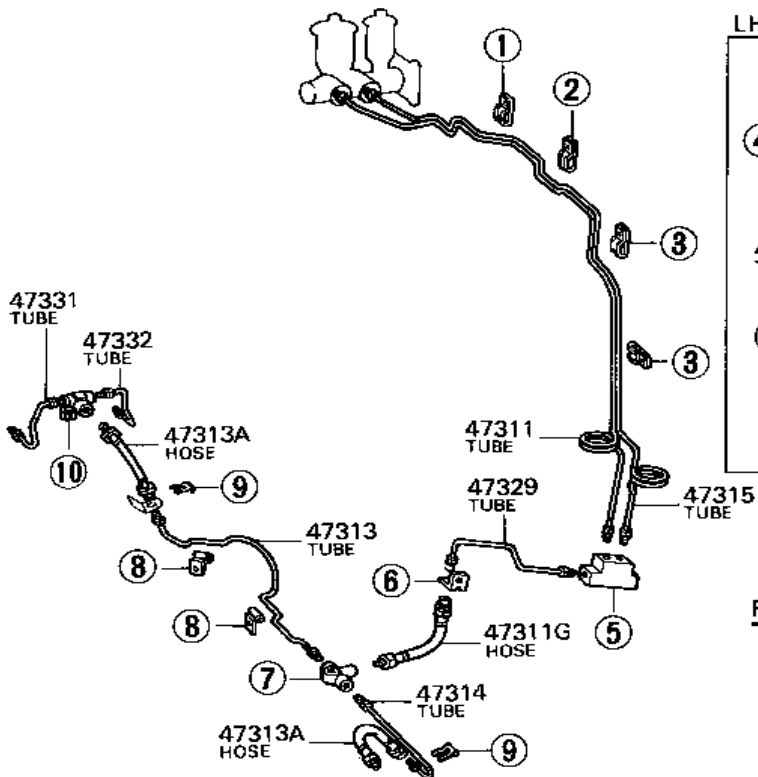
*1 (-7802)
*2 (7802-)



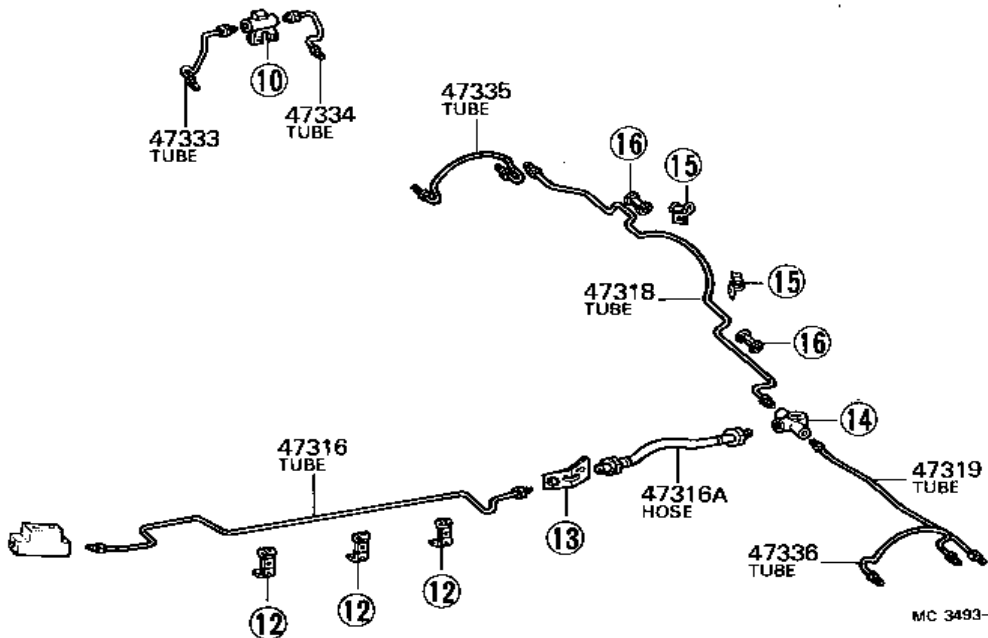
For Single Master Cylinder

LHD

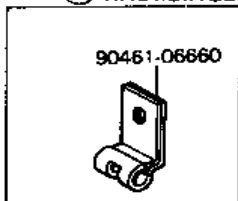




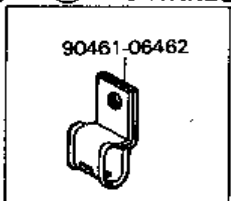
For Tandem Master Cylinder



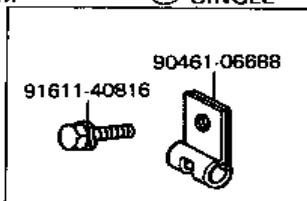
① RHD..SINGLE



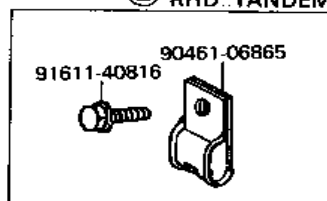
① RHD..TANDEM



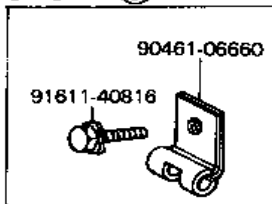
② SINGLE



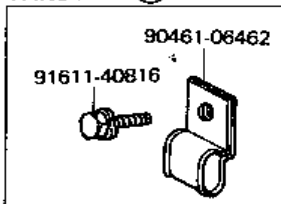
② RHD..TANDEM



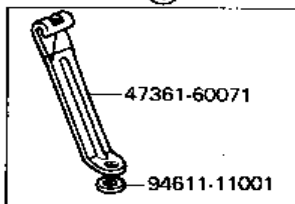
SINGLE ③



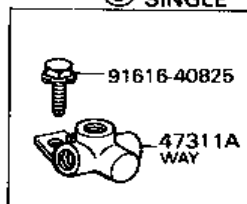
TANDEM ③



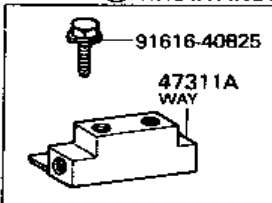
④



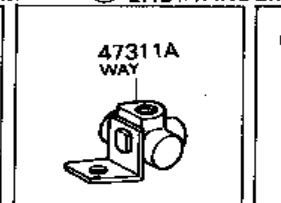
⑤ SINGLE



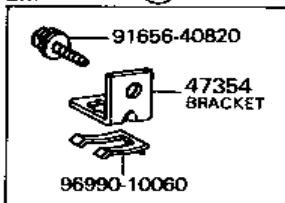
⑤ RHD..TANDEM



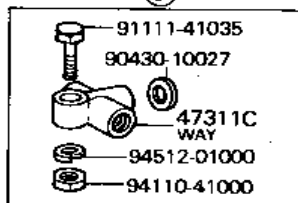
⑤ LHD..TANDEM



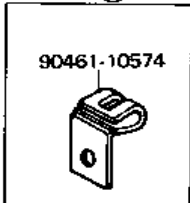
⑥



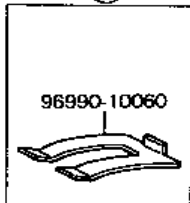
⑦



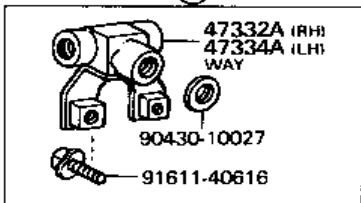
⑧



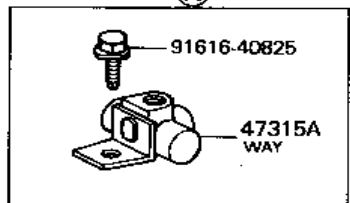
⑨



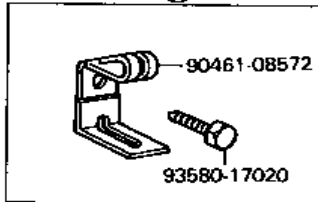
⑩



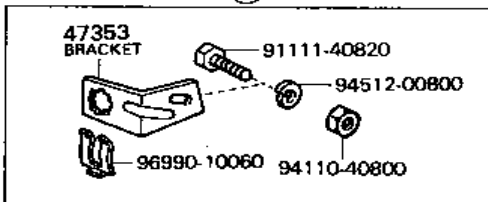
⑪



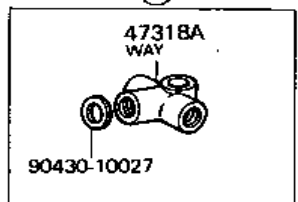
⑫



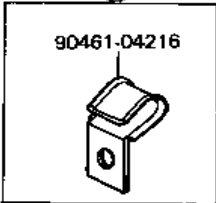
⑬



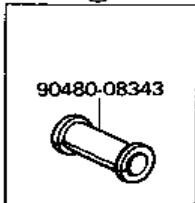
⑭



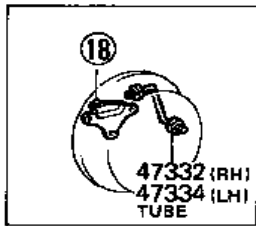
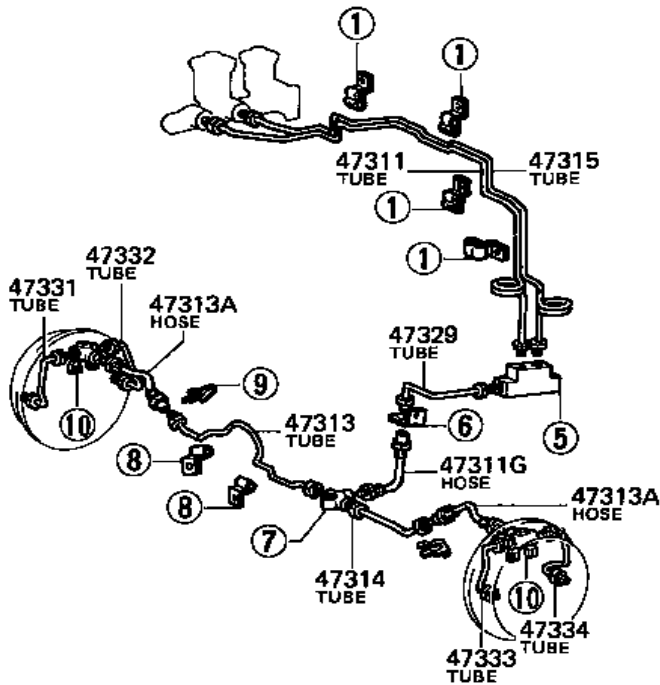
⑮



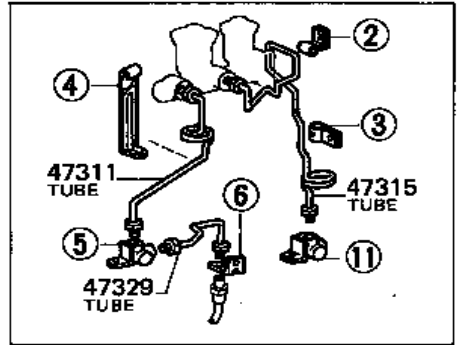
⑯



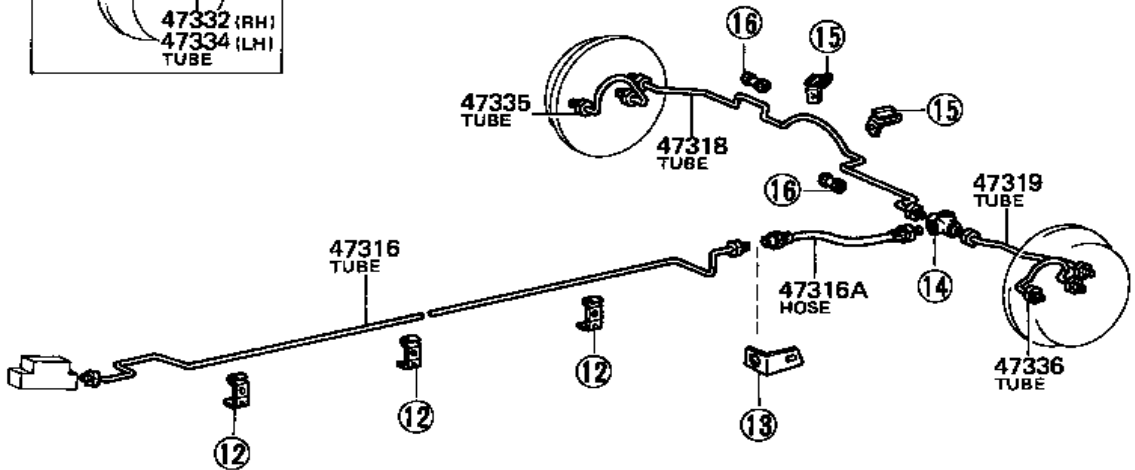
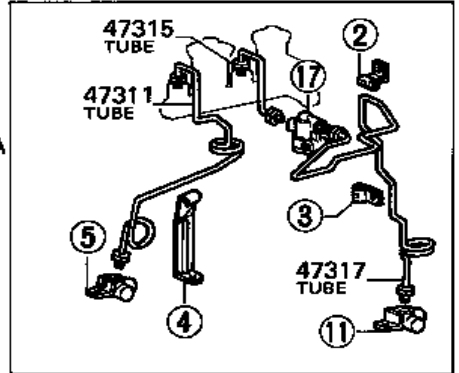
For Tandem Master Cylinder



LHD



LHD . . GEN (For Front Disc Brake)



①

91611-40616



90461-08191

②

91611-40616



90481-06680

③

90461-06688



91611-40616

④



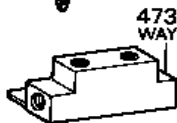
47361-60071

94611-11001

⑤ RHD..TANDEM



91616-40825

47311A
WAY

⑤ LHD..TANDEM

47311A
WAY

⑥

91656-40820

47354
BRACKET

96991-10080

⑦



91111-41035

90430-10027

47311C
WAY

94512-01000



94110-41000

⑧

90461-10674



⑨

96991-10080



⑩

47332A (RH)
47334A (LH)
WAY

90430-10027



91611-40816

⑪



91616-40825

47315A
WAY

⑫

*1 90461-08572
*2 290461-08434

93580-17020

⑬

47353
BRACKET

91651-40820



94110-40800



96990-10060

⑭

47318A
WAY

90430-10027

⑮

90481-04216



⑯

90480-08343



⑰

47150
VALVE47159
BRACKET

91611-40840

⑱

91611-40812



90430-10074

47332A (RH)
47334A (LH)
WAY, 2*1 (7709-7901)
*2 (7901-)

90170-11059

94512-01100

45611H
DOWEL



43233
SHIM

43233
SHIM

43211A
BOLT

45611F
BEARING

43431
SPINDLE

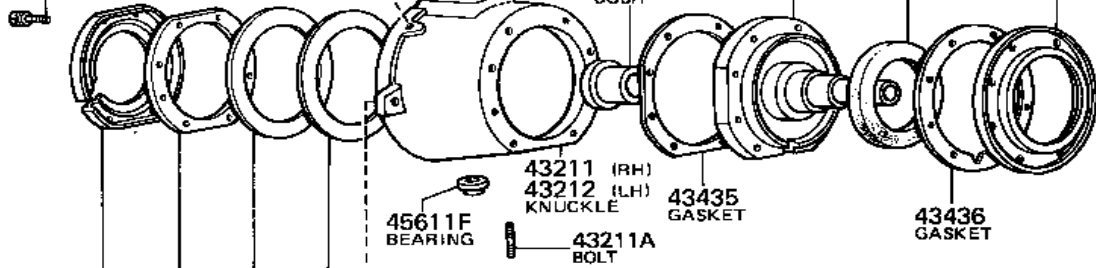
91651-40612

43211D
PLUG

43413A
BUSH

43511A
SEAL

43402
RETAINER



43204
SEAL

43211 (RH)
43212 (LH)
KNUCKLE

45611F
BEARING

43211A
BOLT

43435
GASKET

43436
GASKET

43233
SHIM

43233
SHIM

43232
CAP

43211H
BOLT

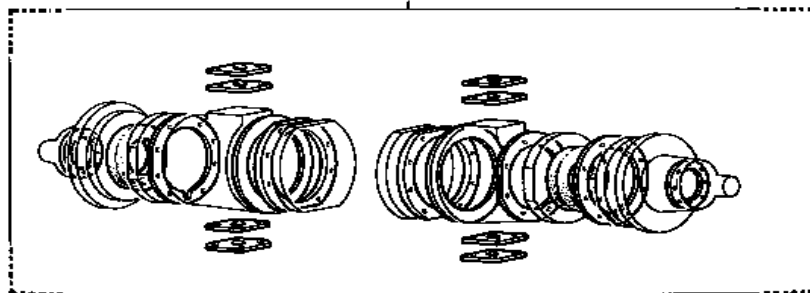
94115-41200 (ISO)
94110-41200

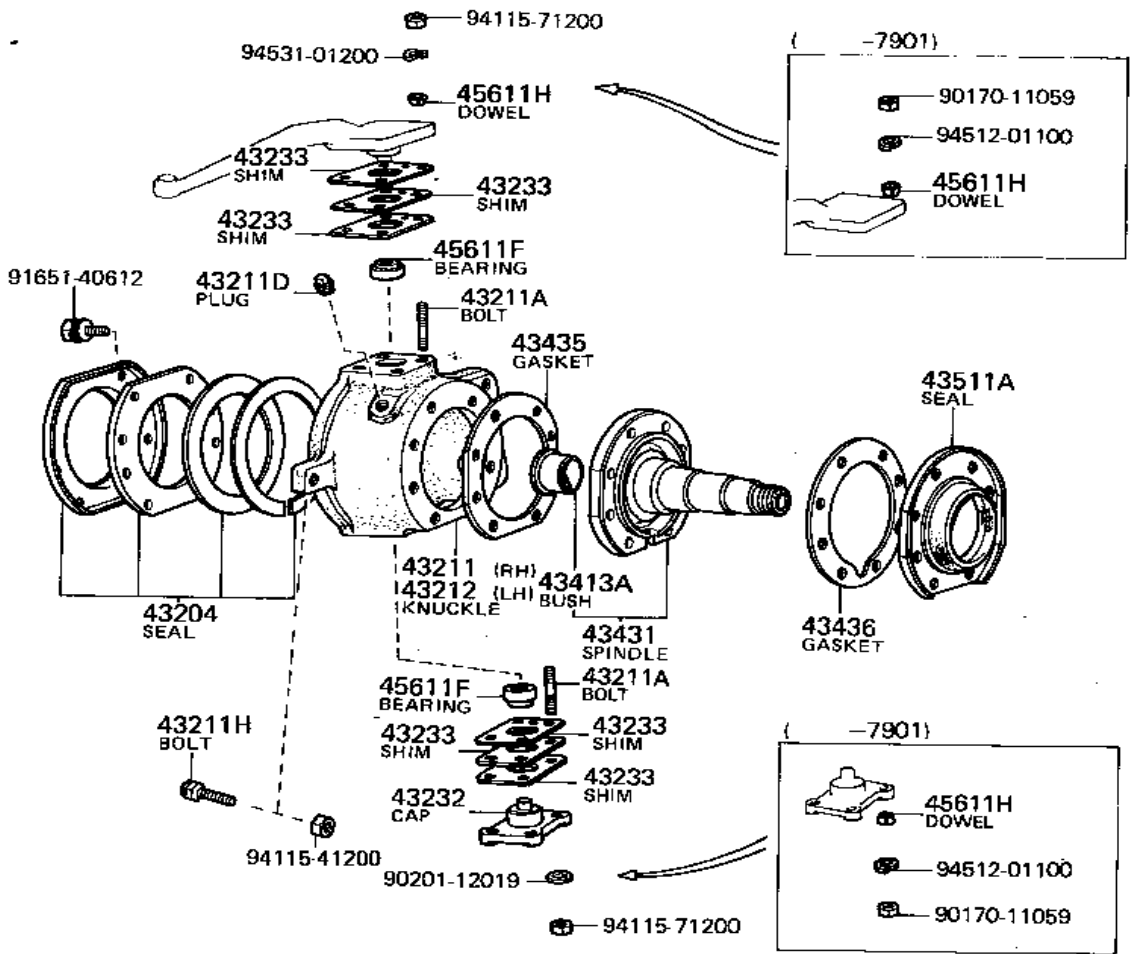
45611H
DOWEL

94512-01100

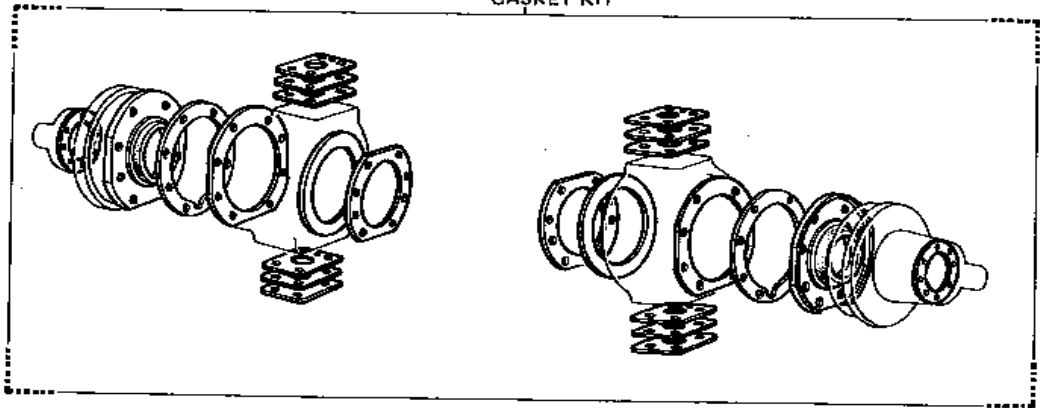
90170-11059

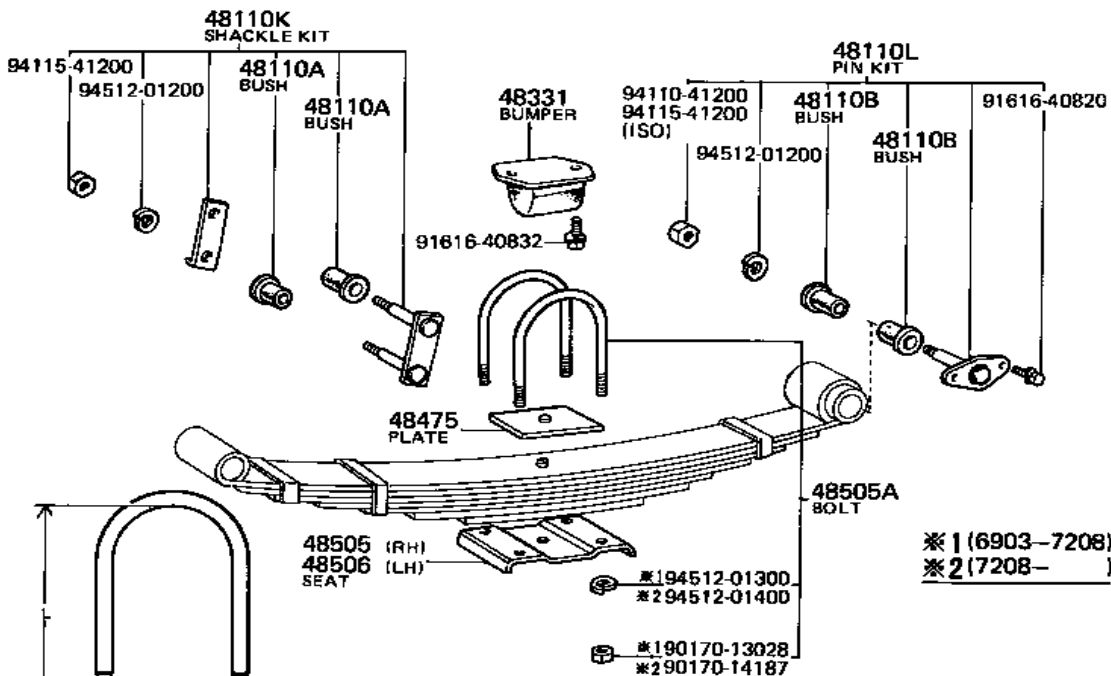
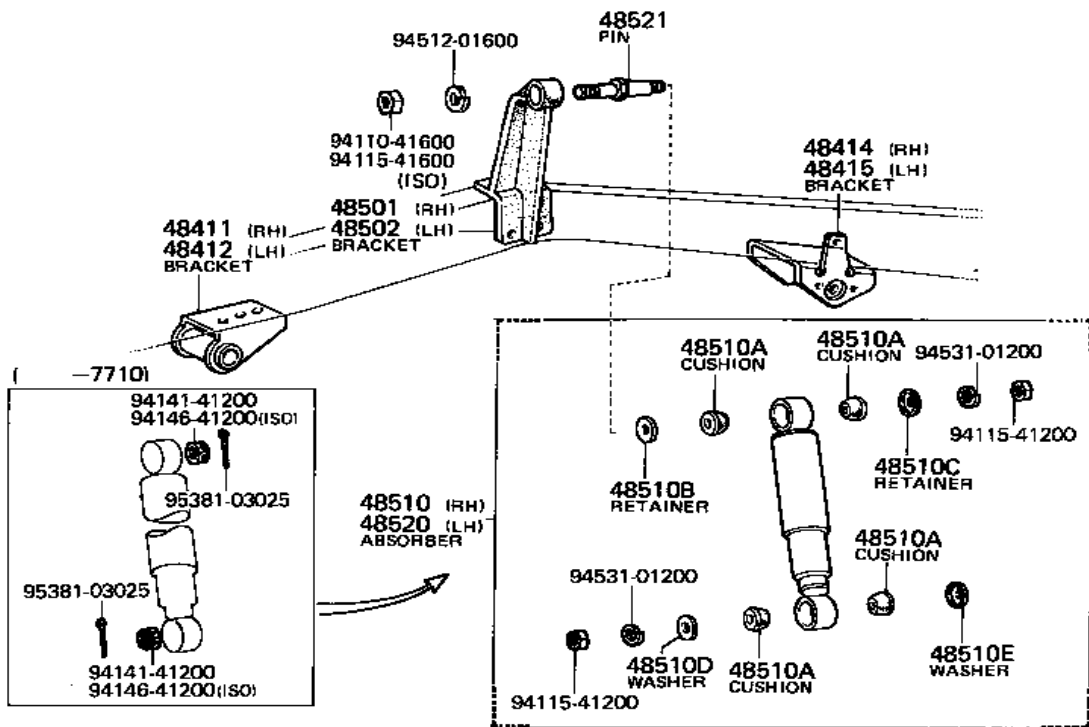
43204K
GASKET KIT



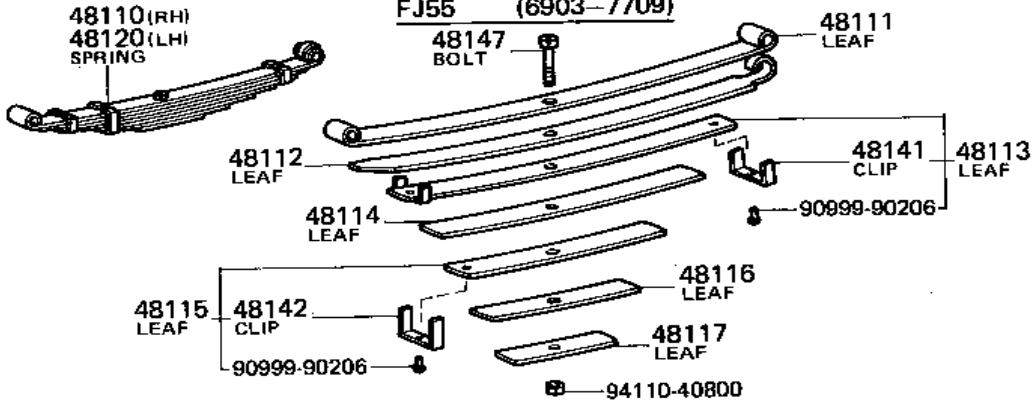


**43204K
GASKET KIT**

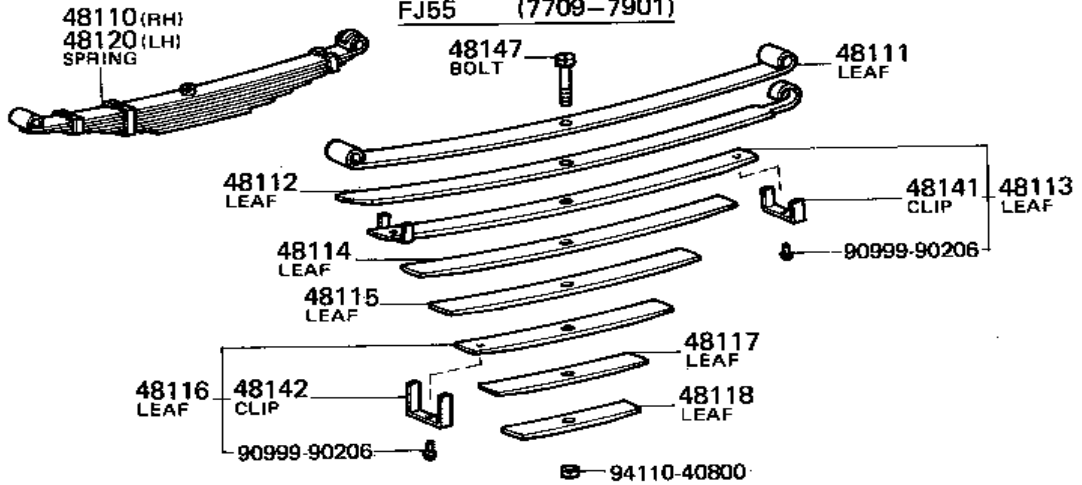




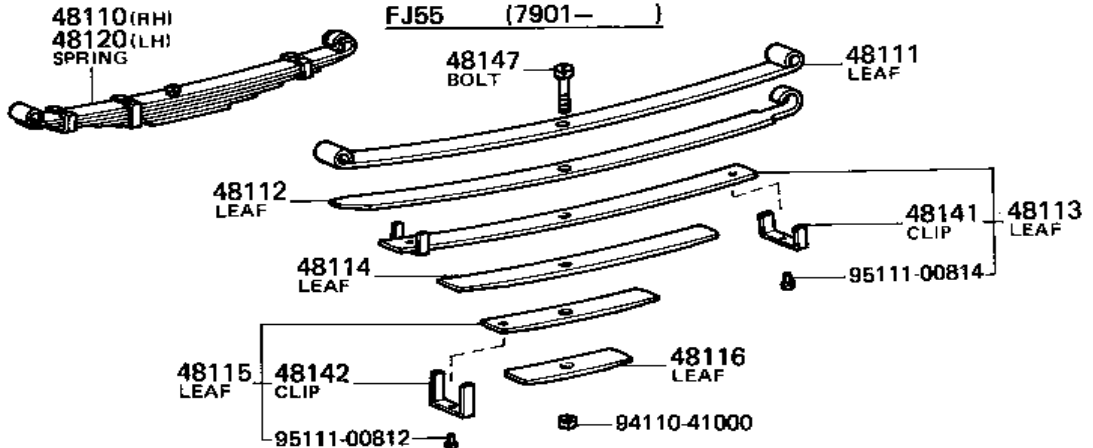
FJ4#, HJ45, BJ4# (6903-
FJ55 (6903-7709)

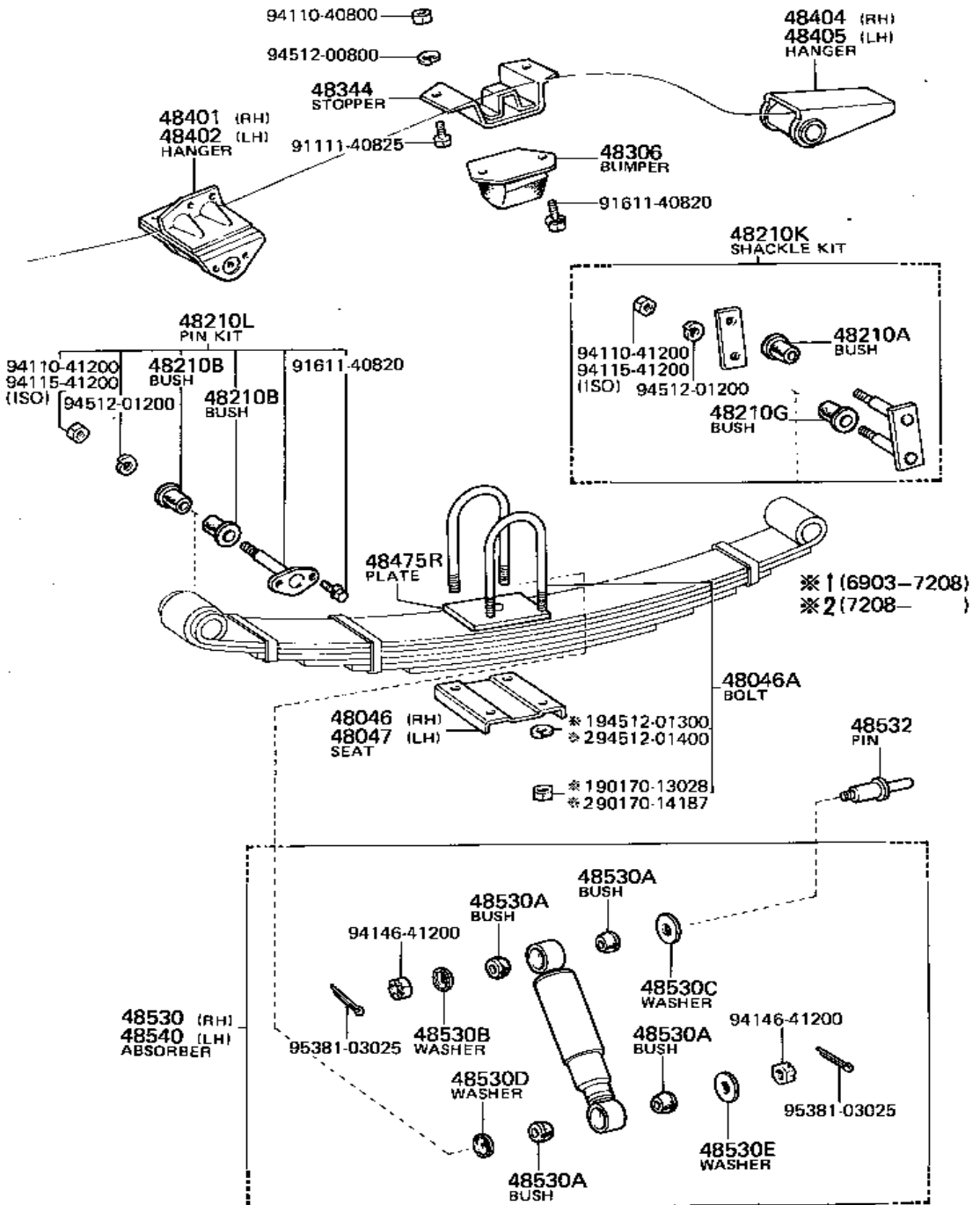


FJ55 (7709-7901)

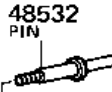
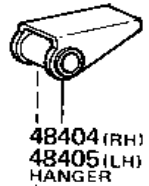
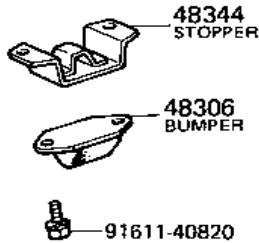
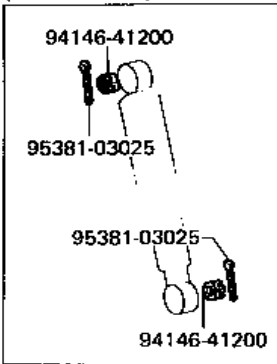


FJ55 (7901-)

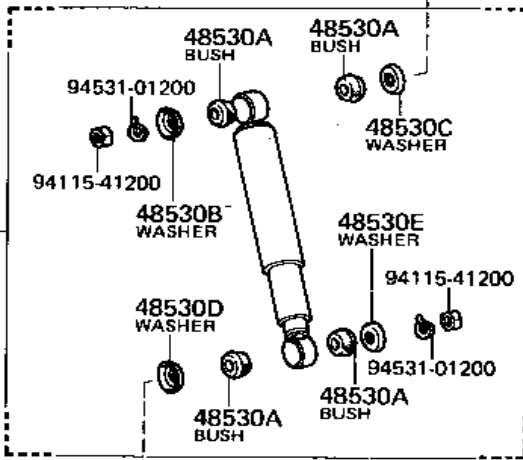




(-7710)

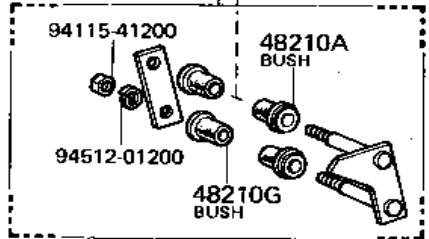


48530 (RH)
48540 (LH)
ABSORBER



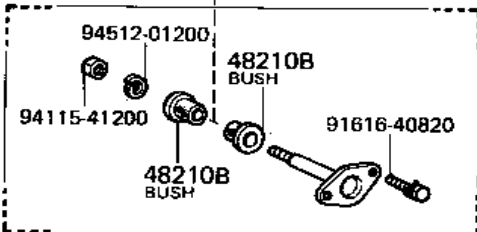
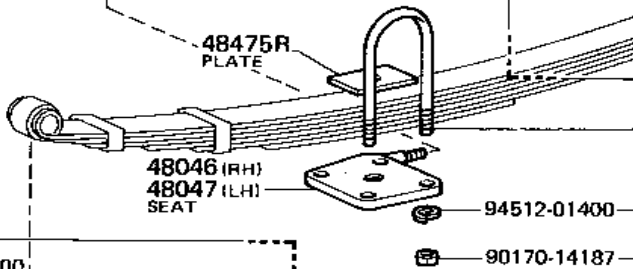
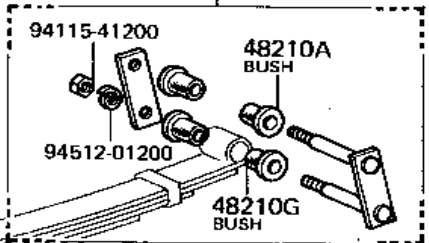
TYPE B

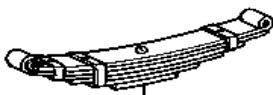
48210K
SHACKLE KIT



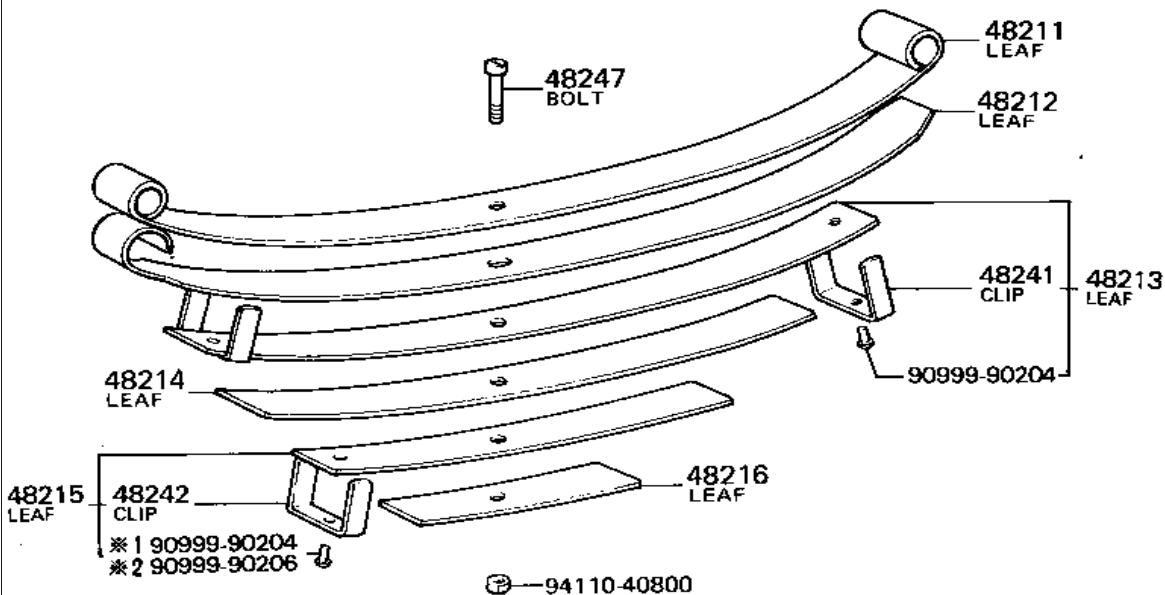
TYPE A

48210K
SHACKLE KIT





48210 (RH)
48220 (LH)
SPRING



※1 (6903-7509)
(7709-)
※2 (7509-7709)