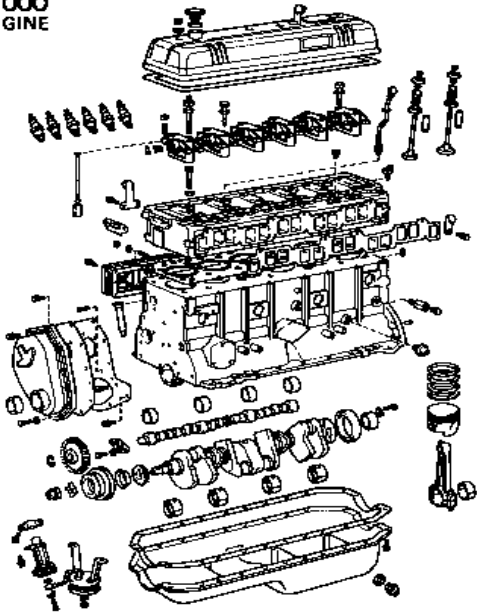


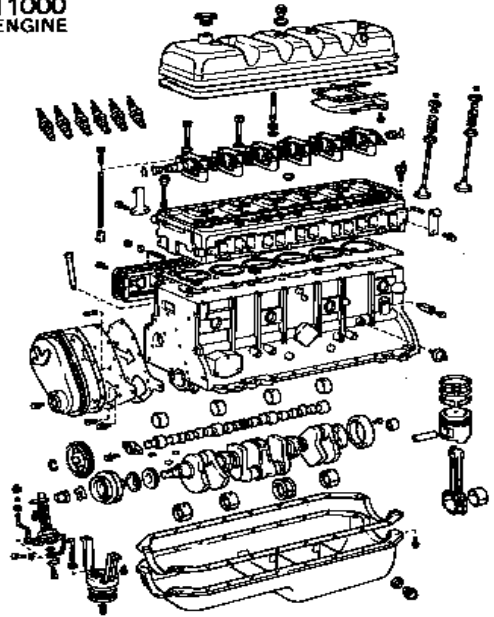
F

11000  
ENGINE



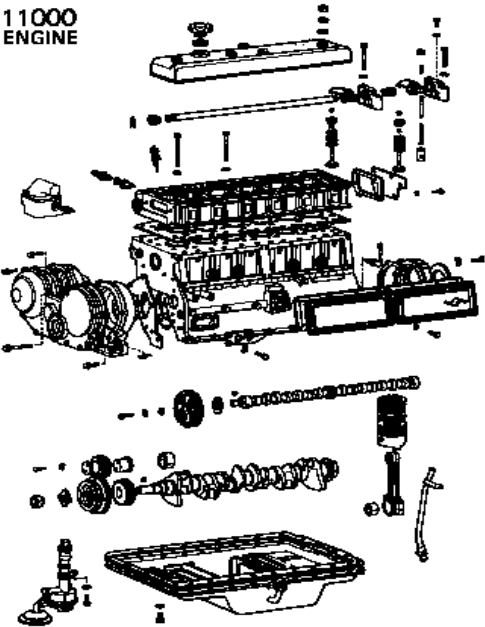
2F

11000  
ENGINE



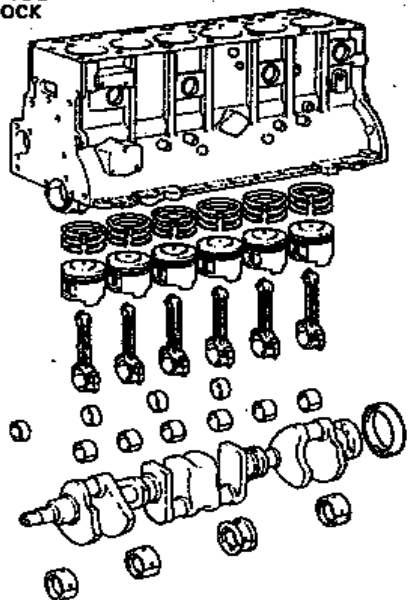
H

11000  
ENGINE



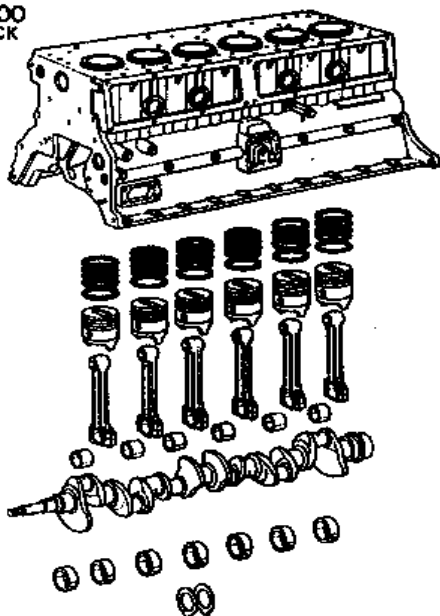
F,2F

11400  
BLOCK



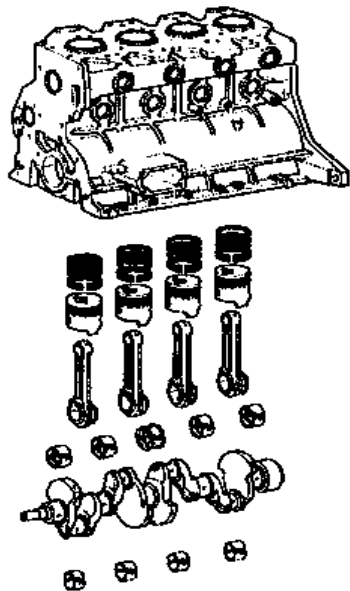
H

11400  
BLOCK



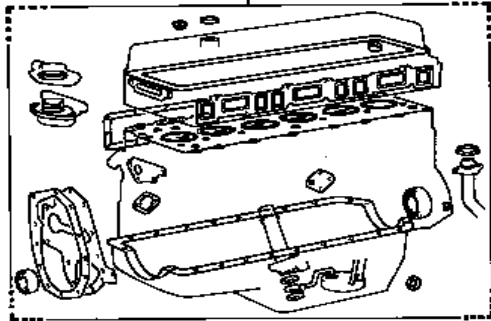
B

11400  
BLOCK

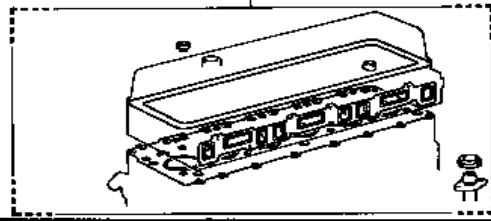


F

11000K  
GASKET KIT

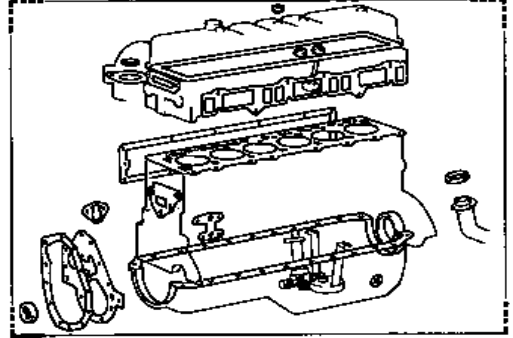


11101K  
GASKET KIT

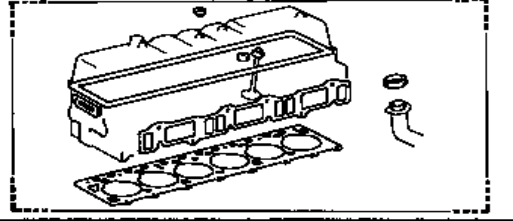


2F

11000K  
GASKET KIT

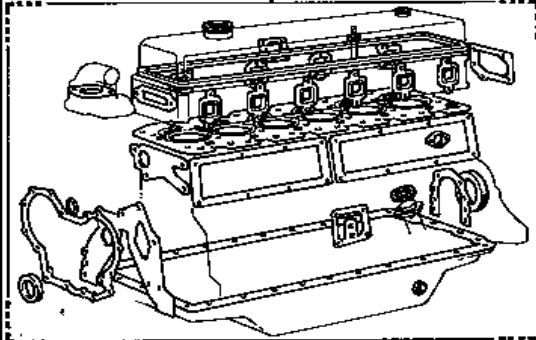


11101K  
GASKET KIT

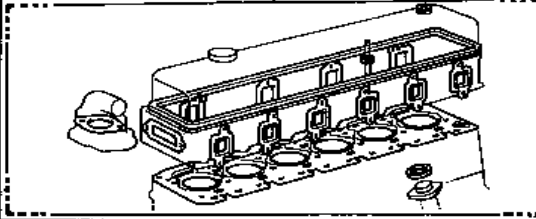


H

11000K  
GASKET KIT

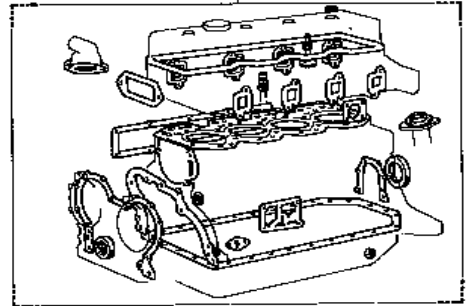


11101K  
GASKET KIT

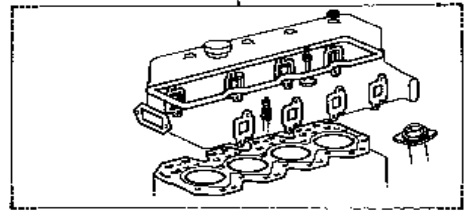


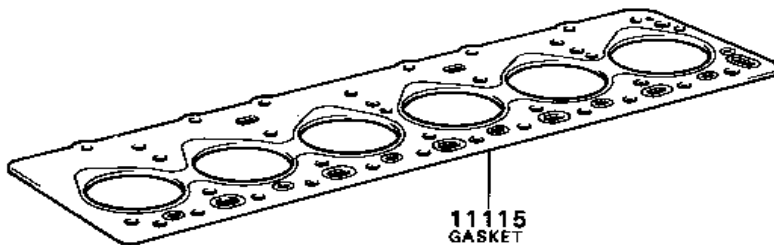
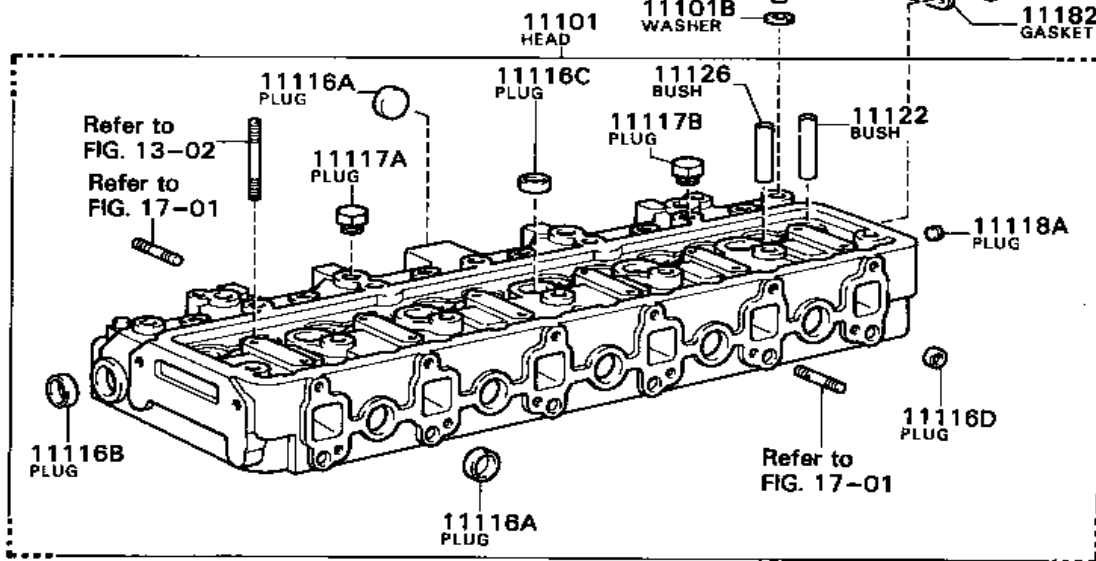
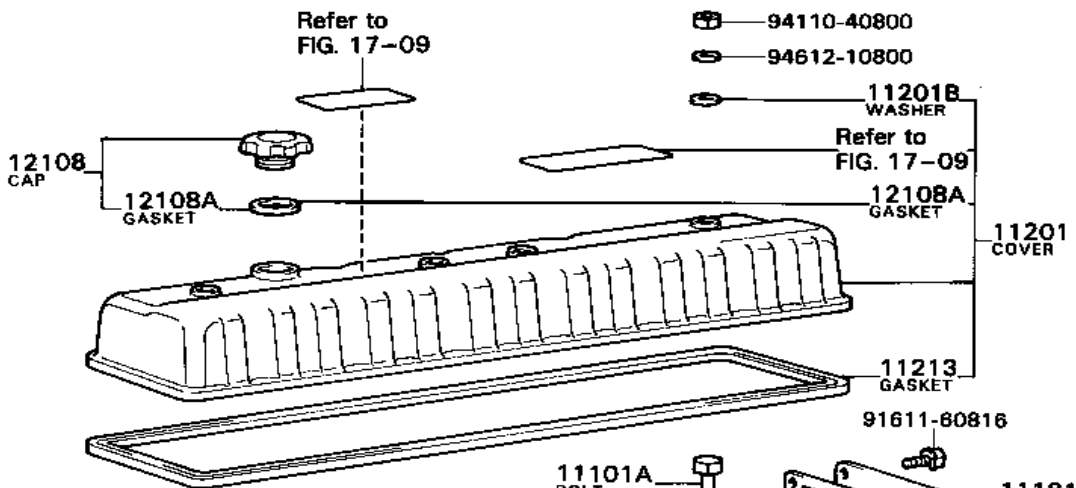
B

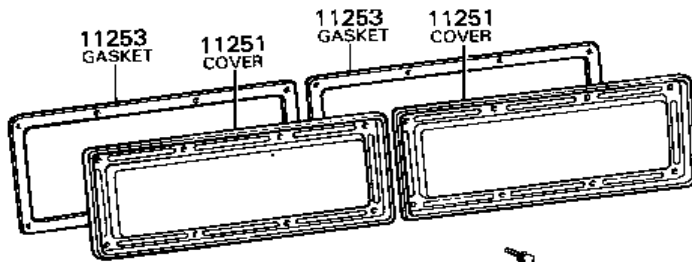
11000K  
GASKET KIT



11101K  
GASKET KIT

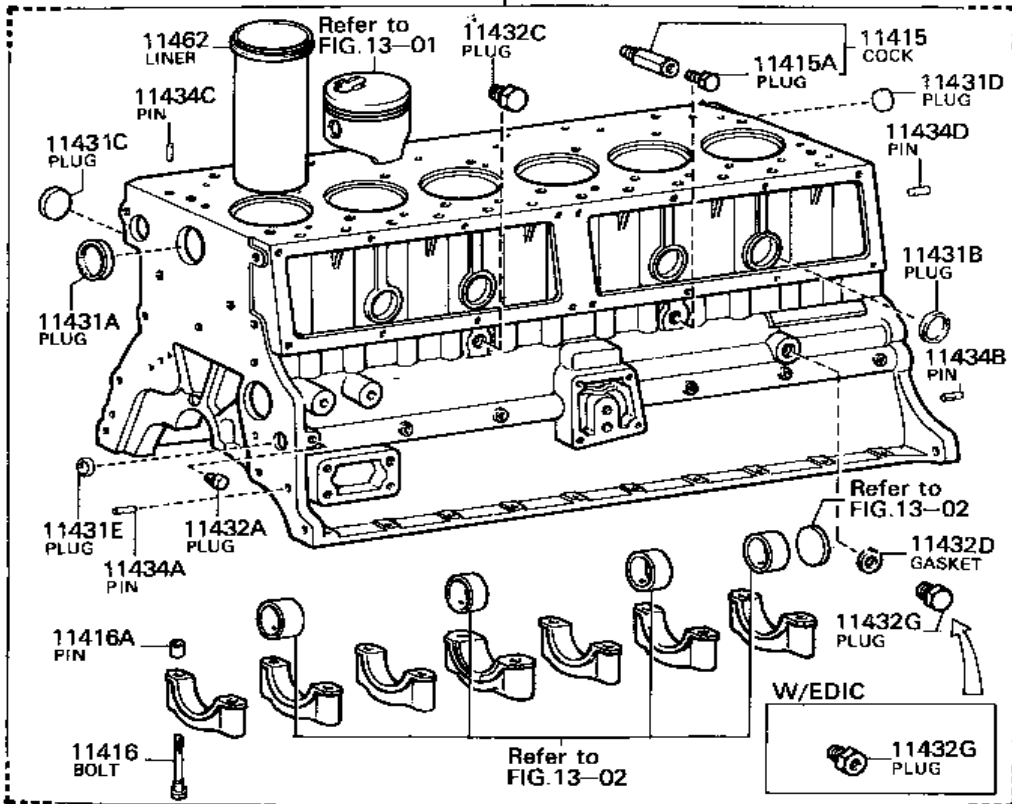




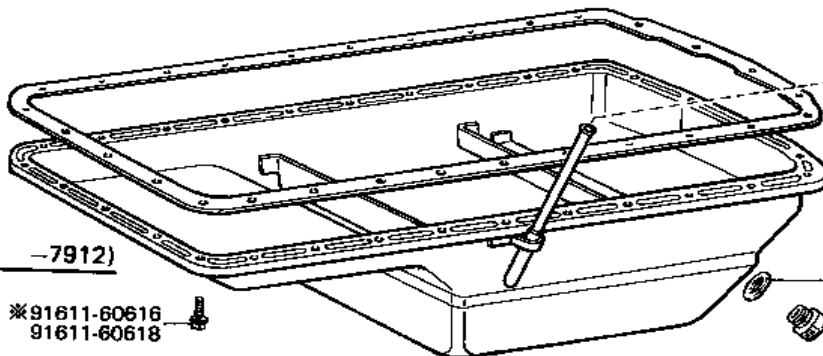


11401 BLOCK

91611-60612

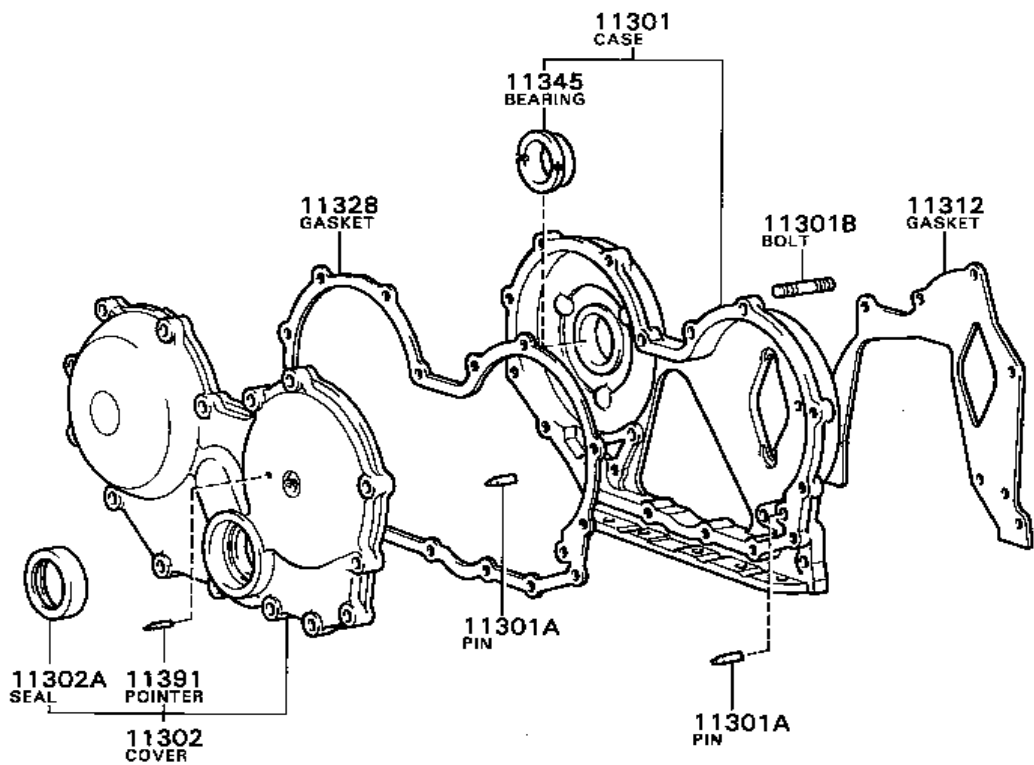


15301 GAGE

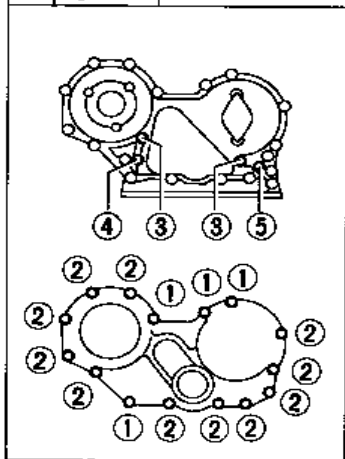
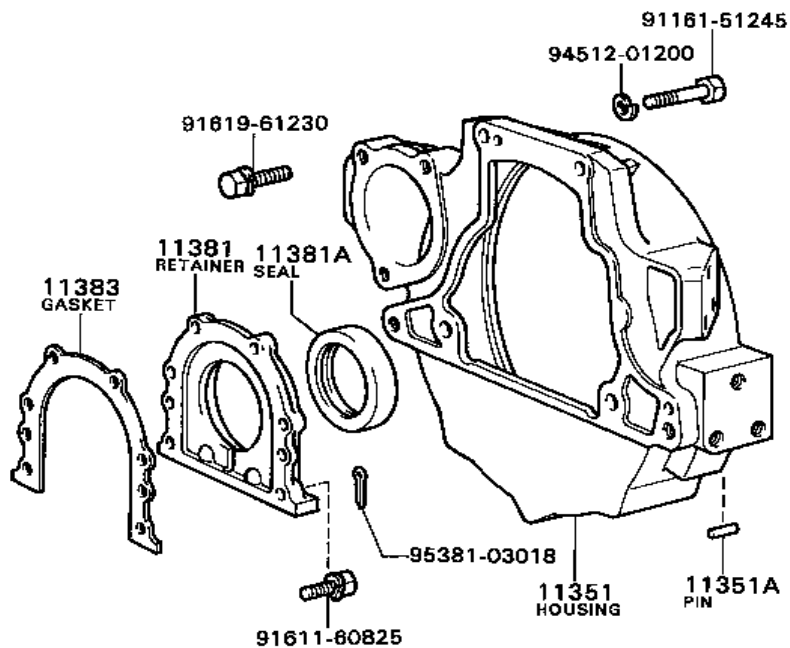


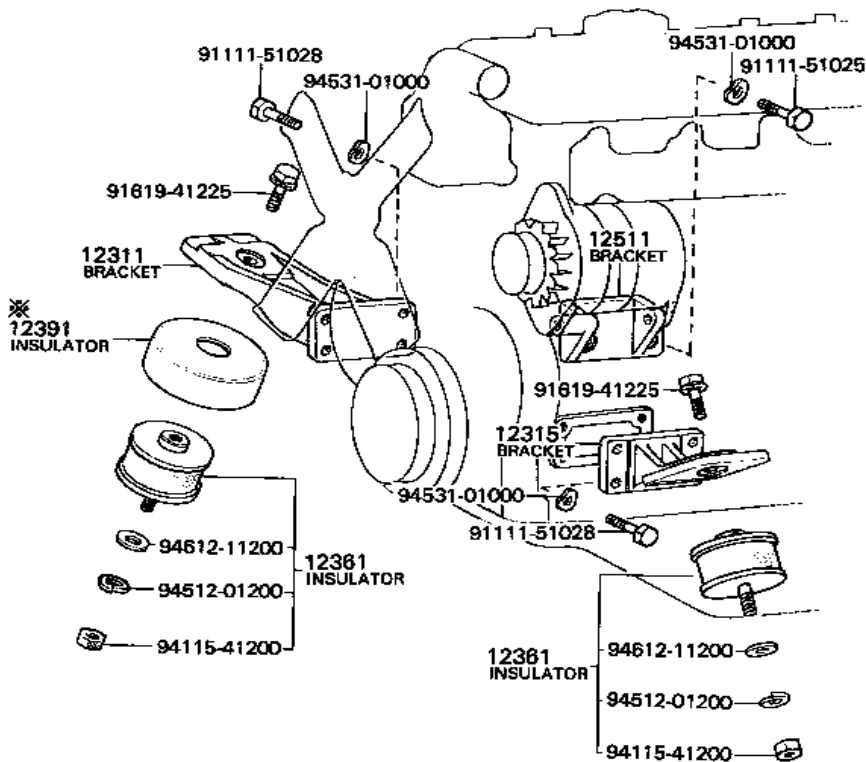
※(-7912)

※91611-60616  
91611-60618

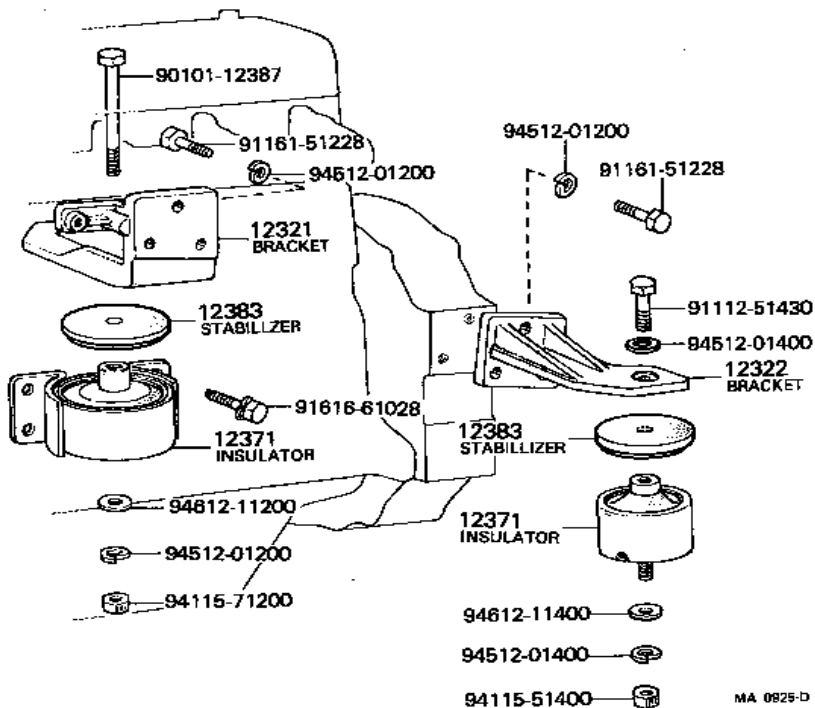


①		91611-60855
②		91611-60828
③		91611-60822
④		91611-60818
⑤		91611-60828



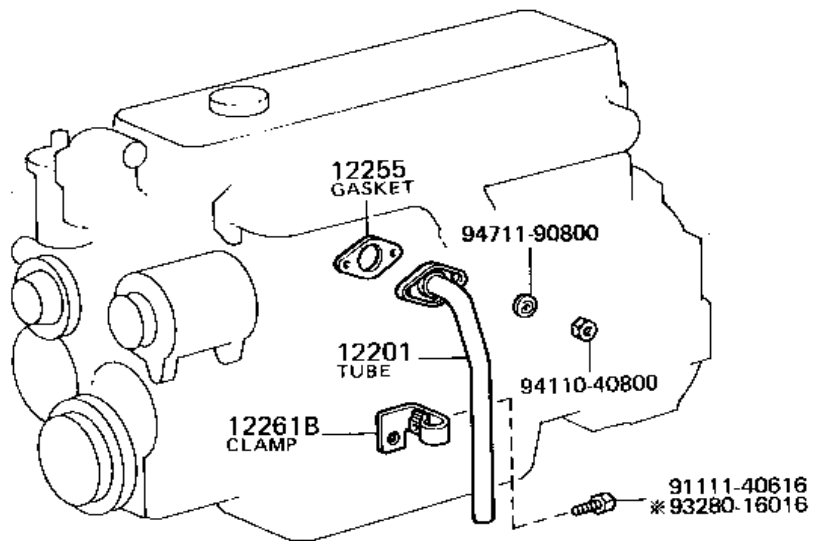


※(7204-7710)

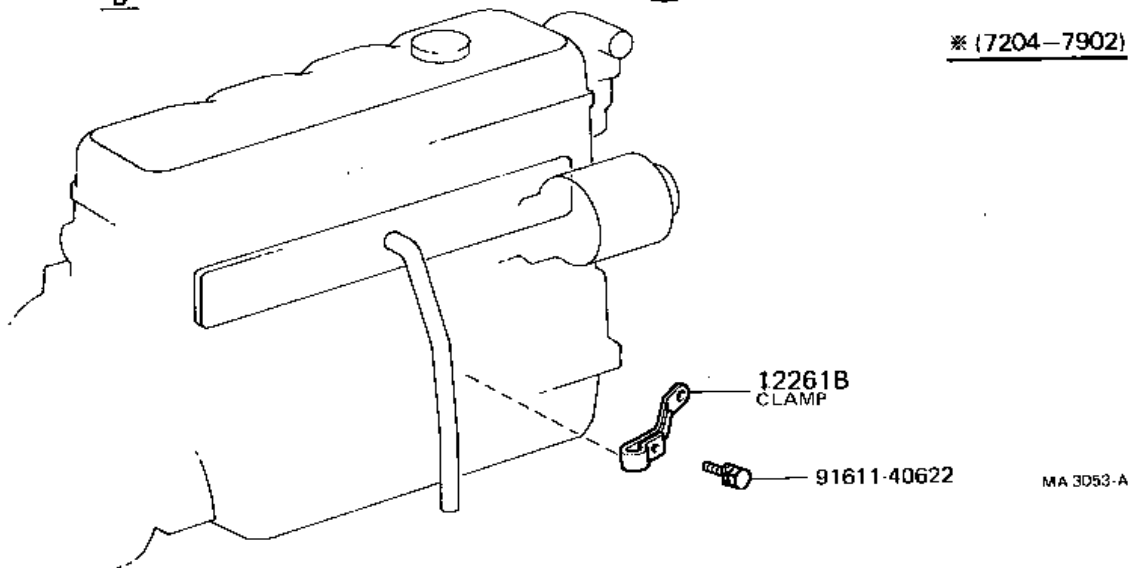




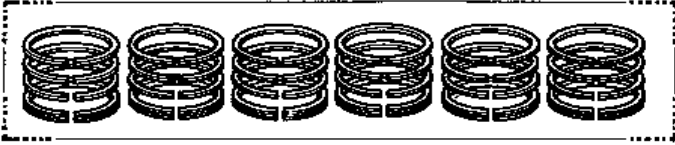
H



B

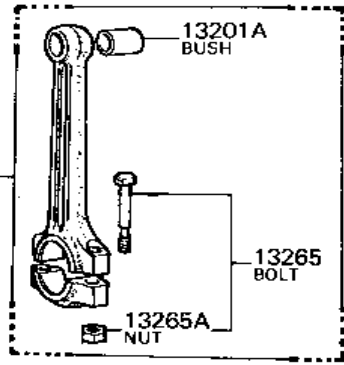
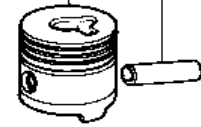


13011  
RING



13101  
PISTON

13101A  
RING



13201  
ROD

13201A  
BUSH

13265  
BOLT

13265A  
NUT

13577A  
BOLT

94531-01000

13525  
GEAR

13581  
SHAFT

13521A  
KEY

13411  
CRANKSHAFT

13495  
LOCK

13572  
PLATE

13471A  
KEY

13521  
GEAR

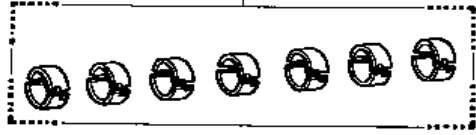
13471E  
NUT

13471  
PULLEY

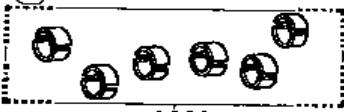


11011  
WASHER

11702  
BEARING



13202  
BEARING

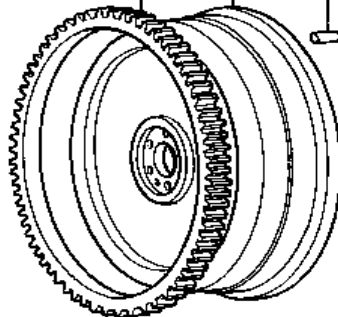


13405  
FLYWHEEL

13453  
GEAR

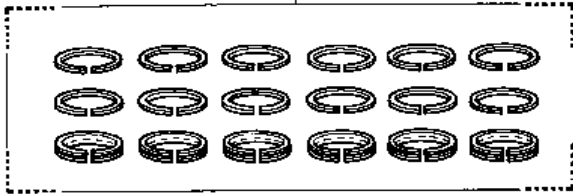
13405A  
PIN

13405B  
BOLT

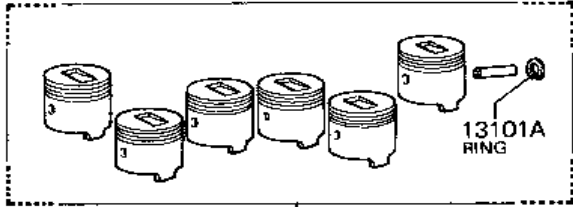
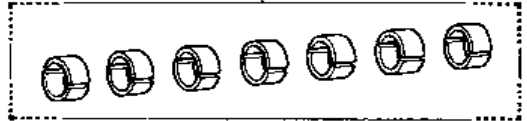


13411A  
BEARING

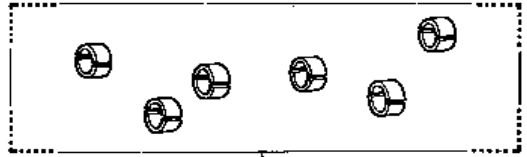
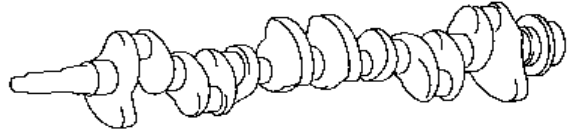
13011  
RING



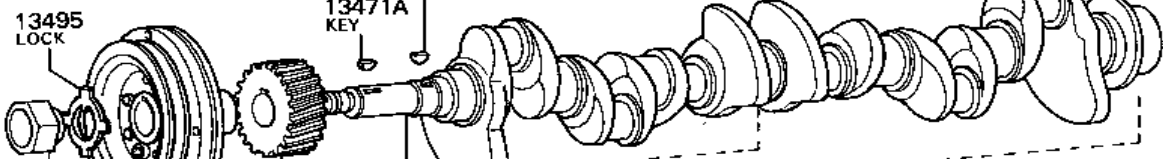
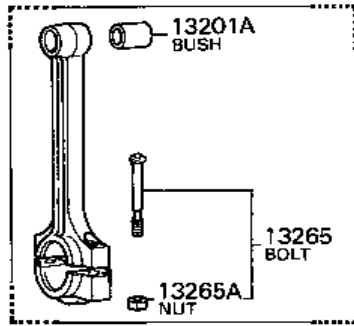
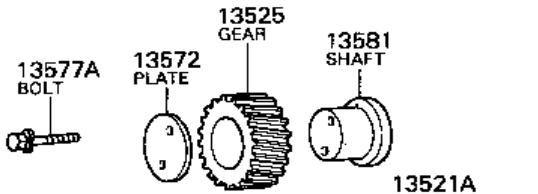
11702  
BEARING



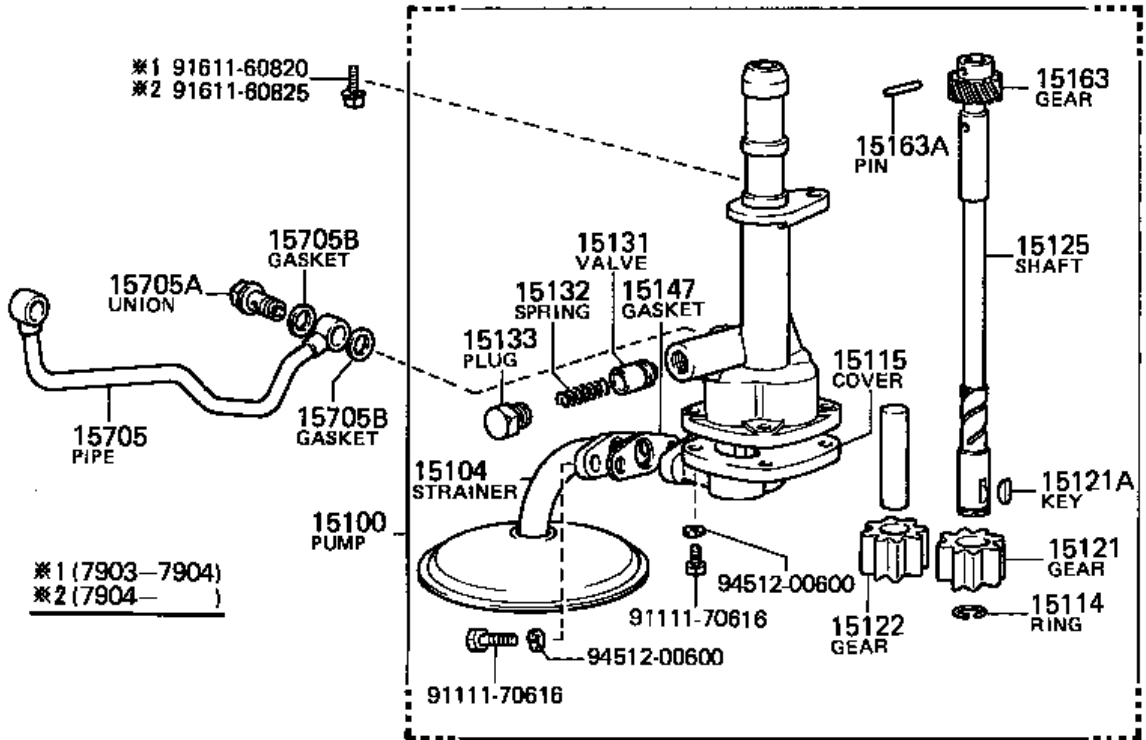
13101  
PISTON



13202  
BEARING







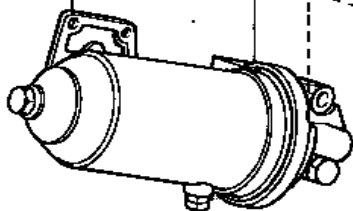
15800  
FILTER

15691  
GASKET

15620E  
PLUG

※ W/OIL COOLER

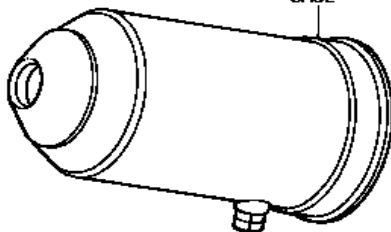
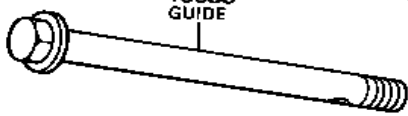
91811-60825(3)  
91811-60845(1)  
※ 90119-08182(1)



15633  
GUIDE

15644  
GASKET

15641  
CASE



15631  
SPRING

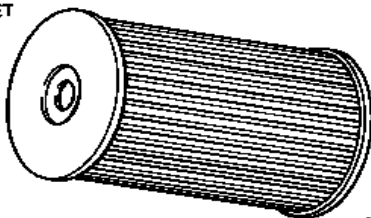
15632  
GASKET

15621  
GASKET

15620  
CAP

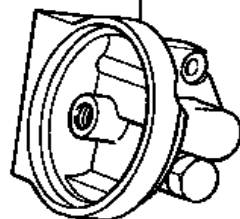


15645  
WASHER

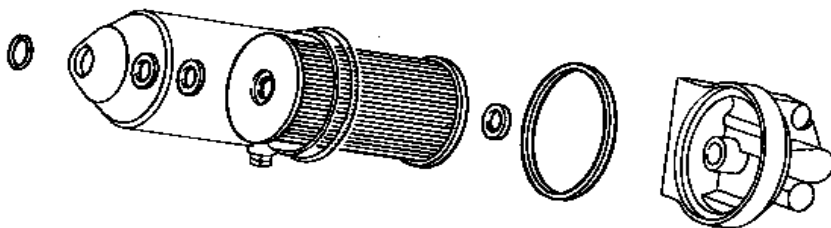


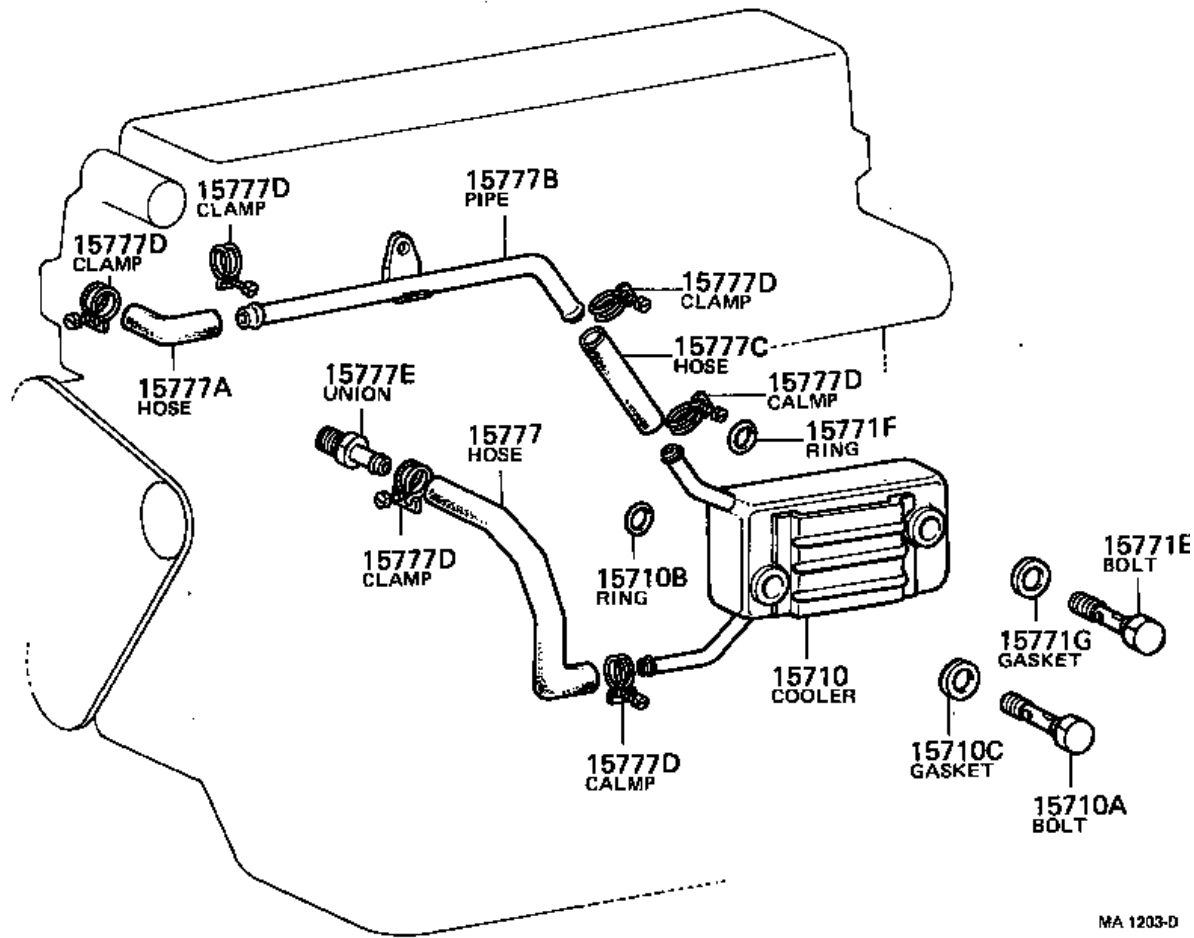
15632  
GASKET

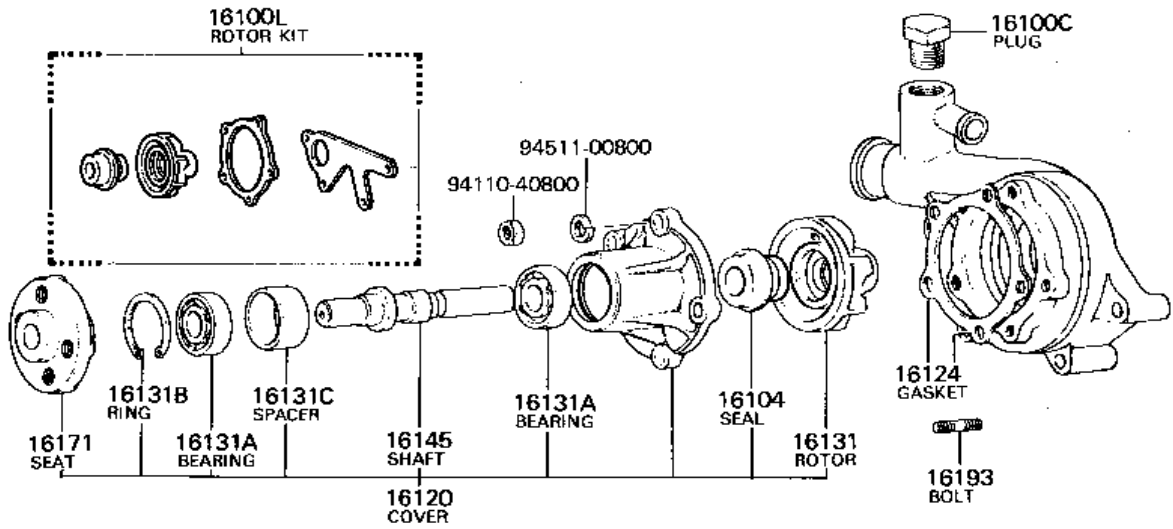
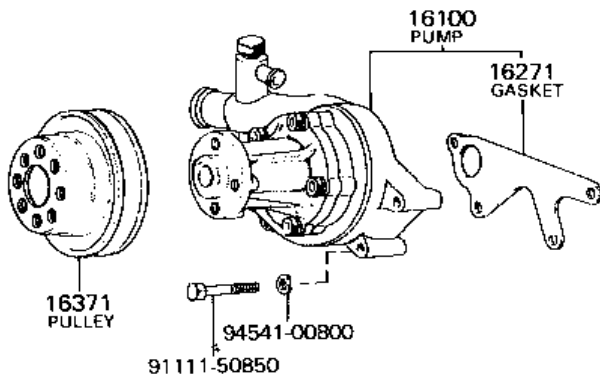
15632  
GASKET



15601  
ELEMENT

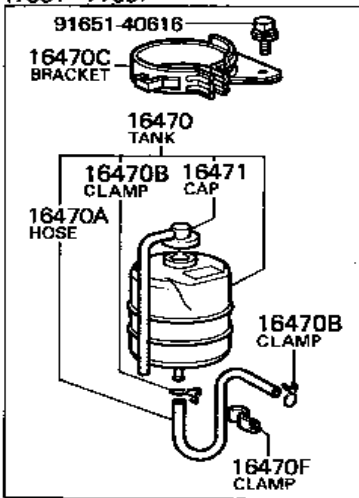




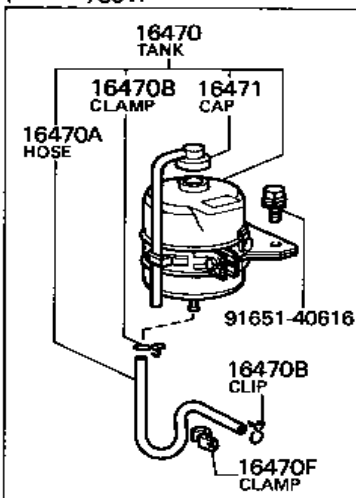




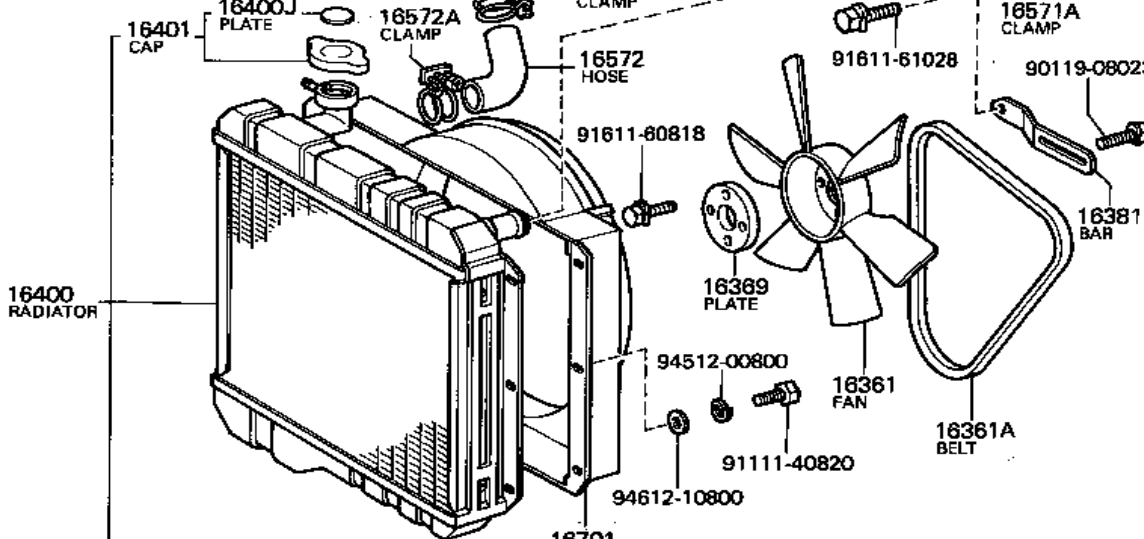
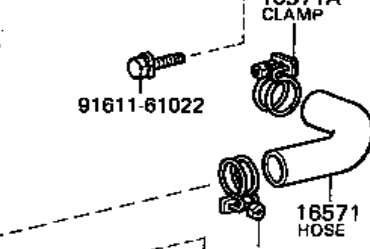
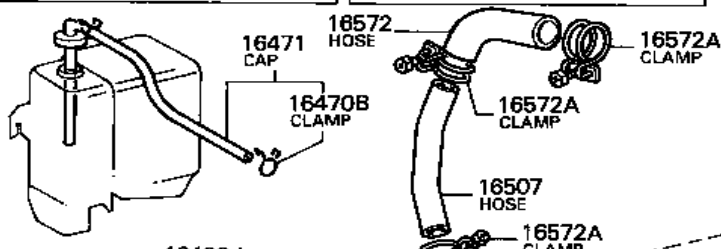
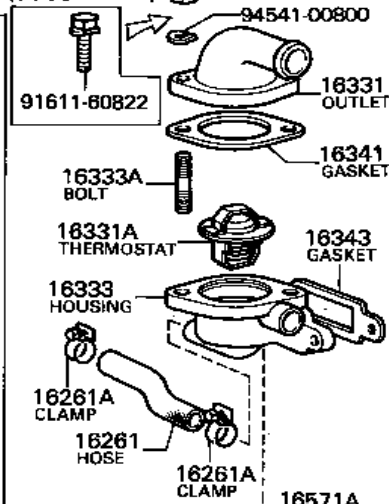
(7601-7709)



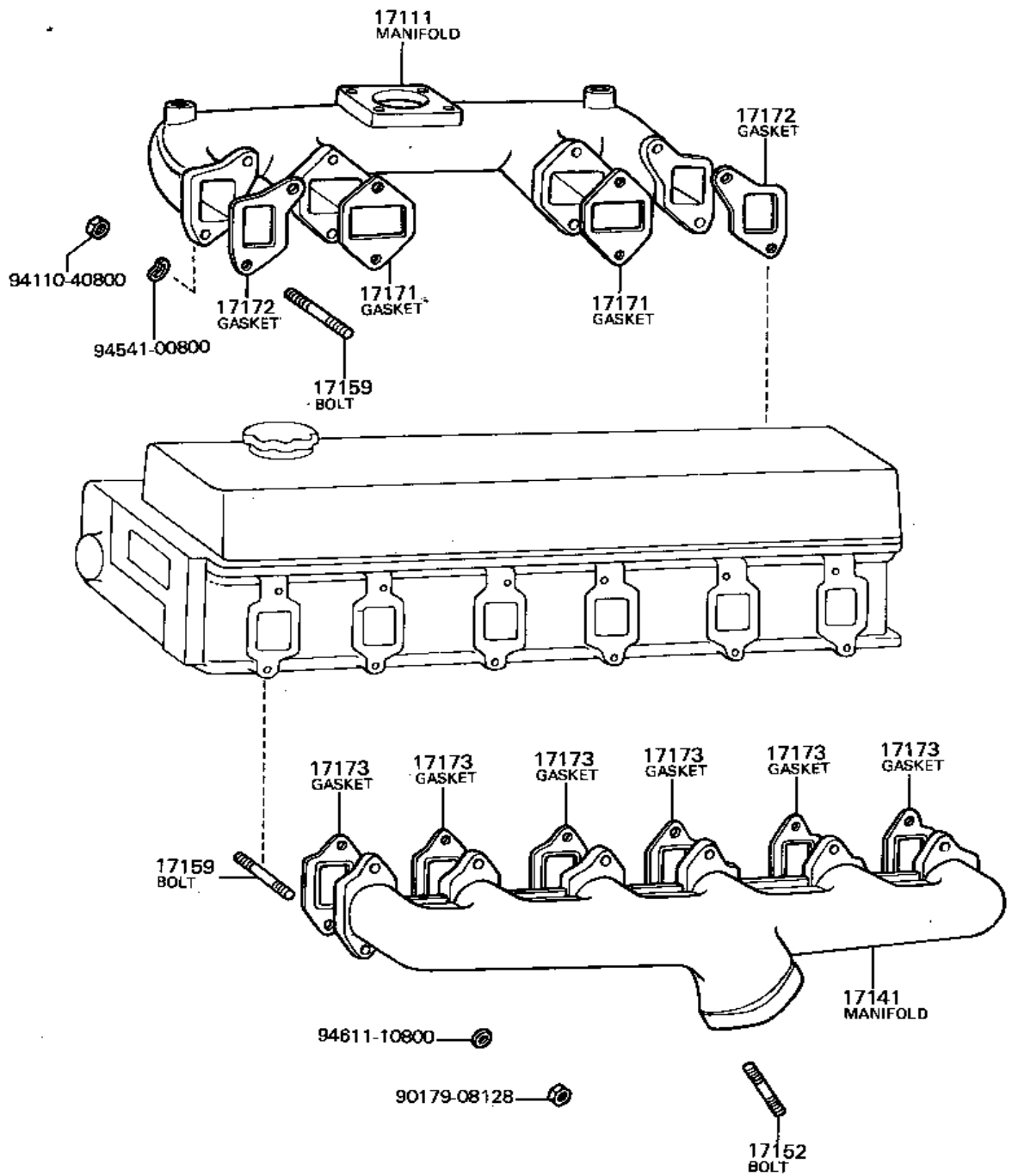
(-7801)



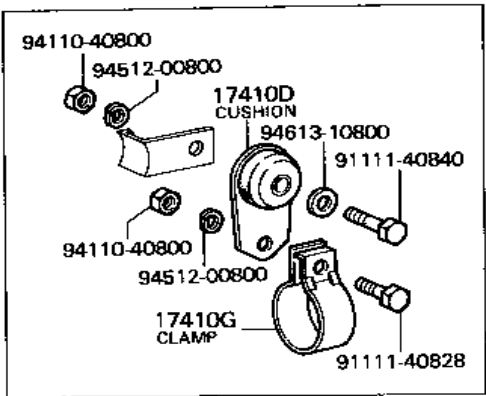
(7709-)



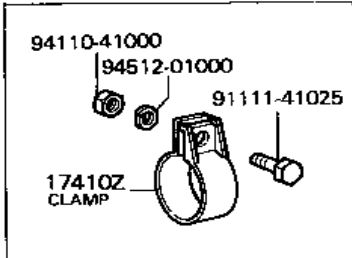
- \*1 16400A COCK
- 16400C BODY
- 16400B PLUG
- \*1 (7204-7806)



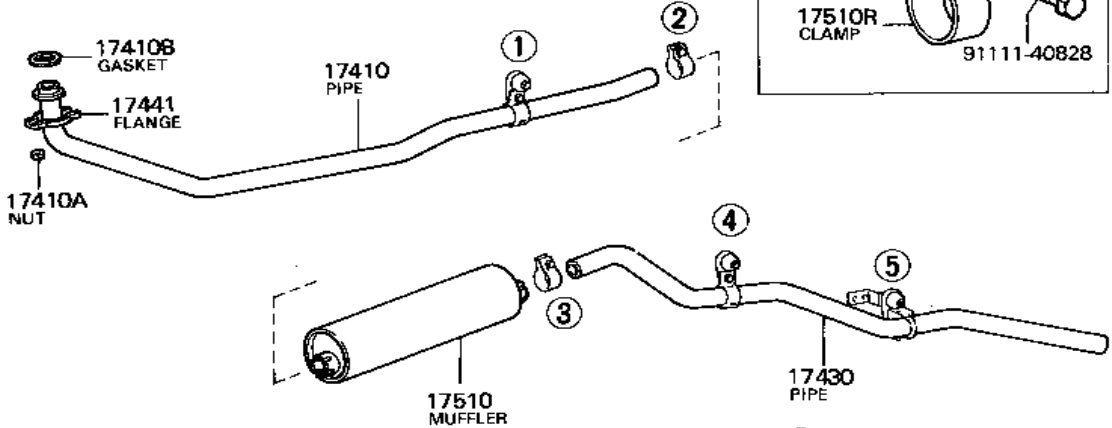
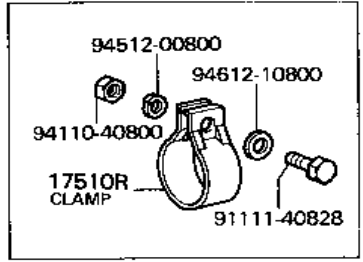
①



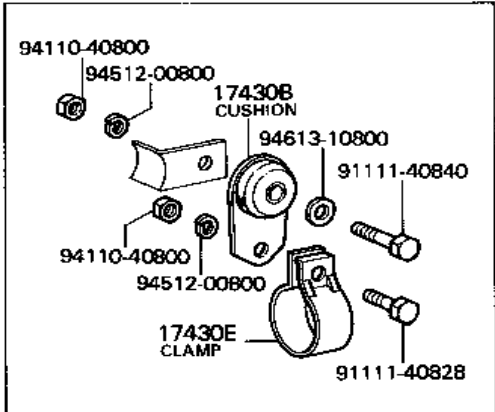
②



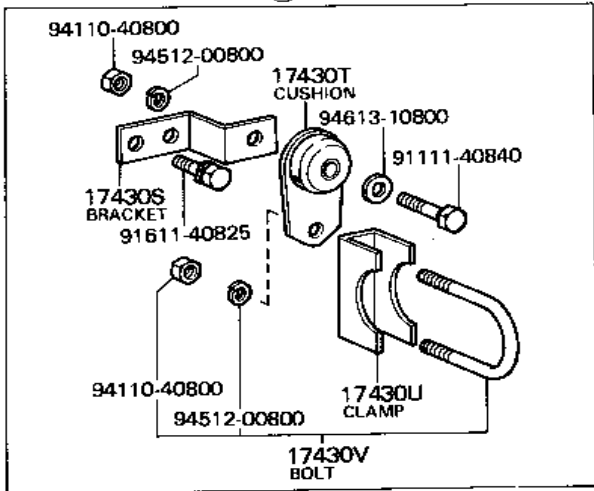
③



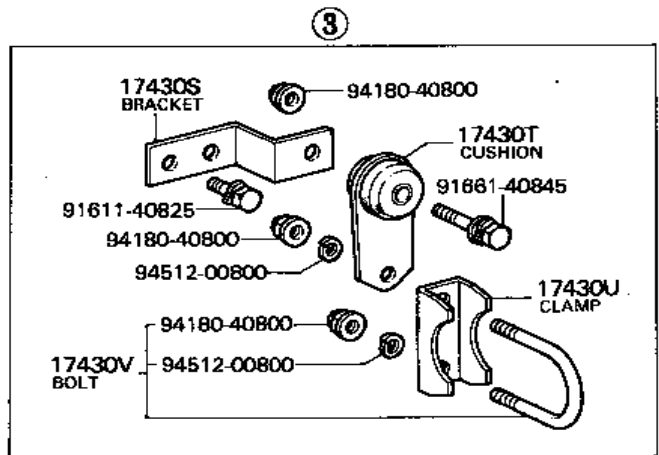
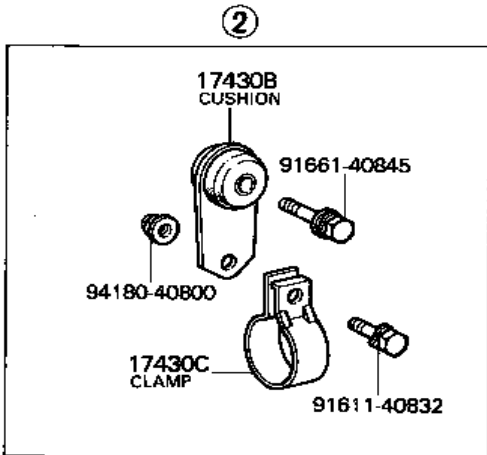
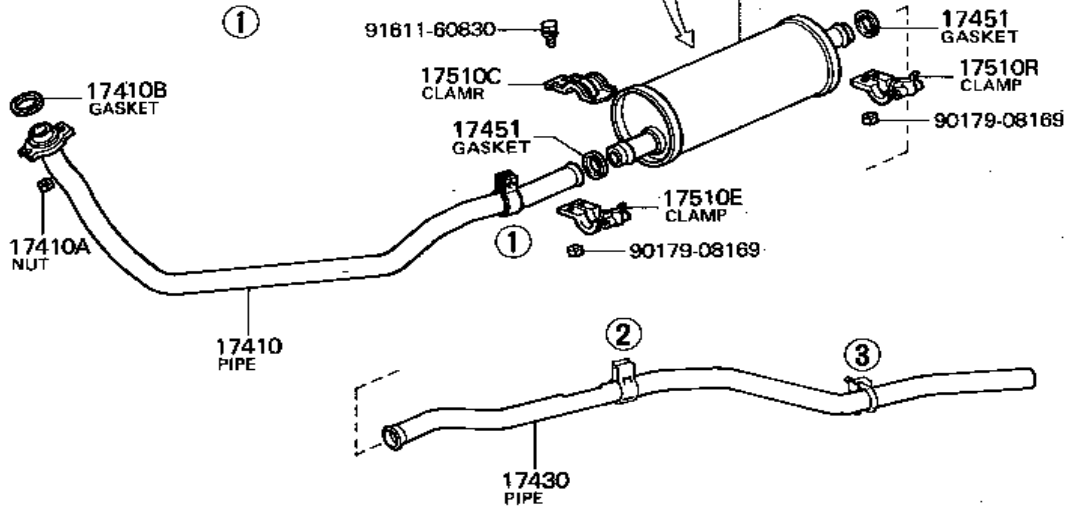
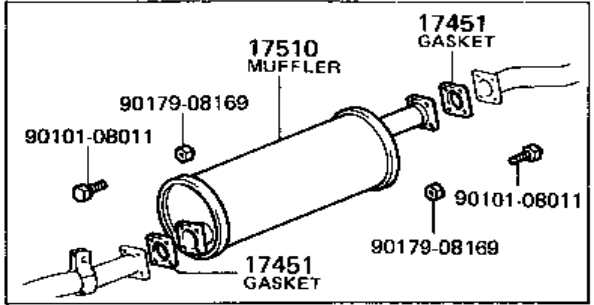
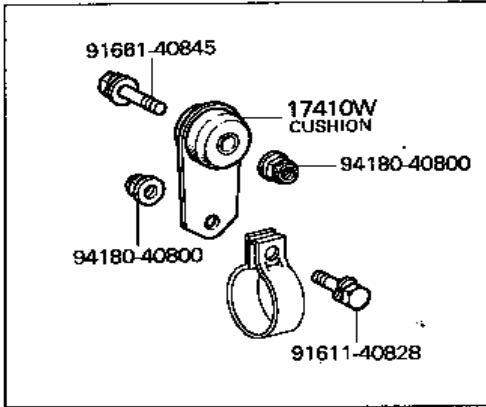
④



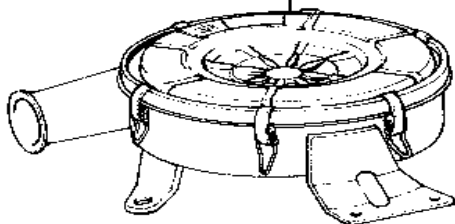
⑤



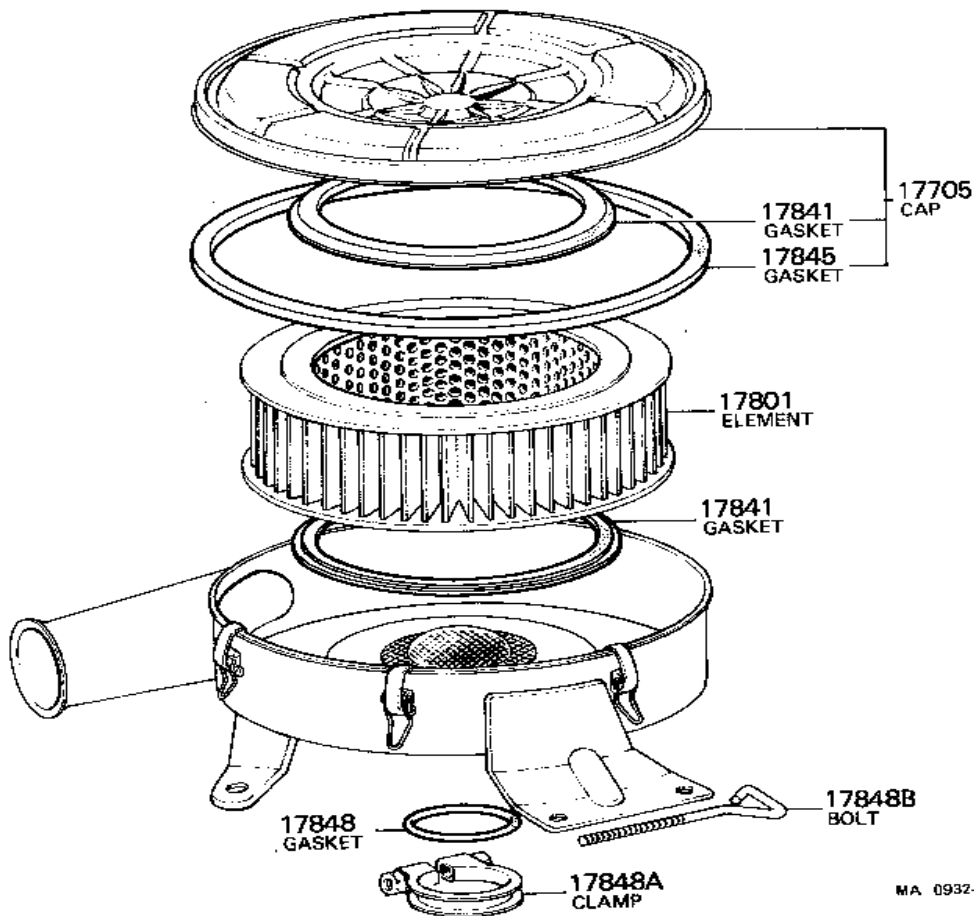
(7512-7901)



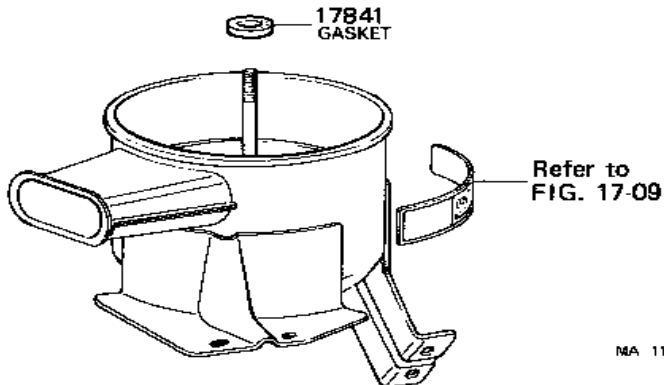
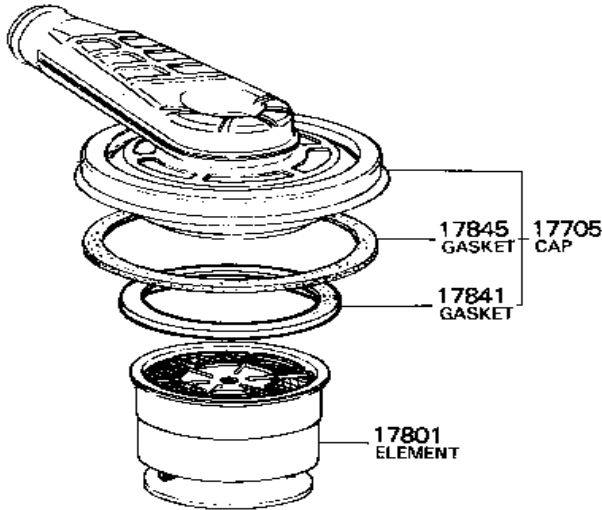
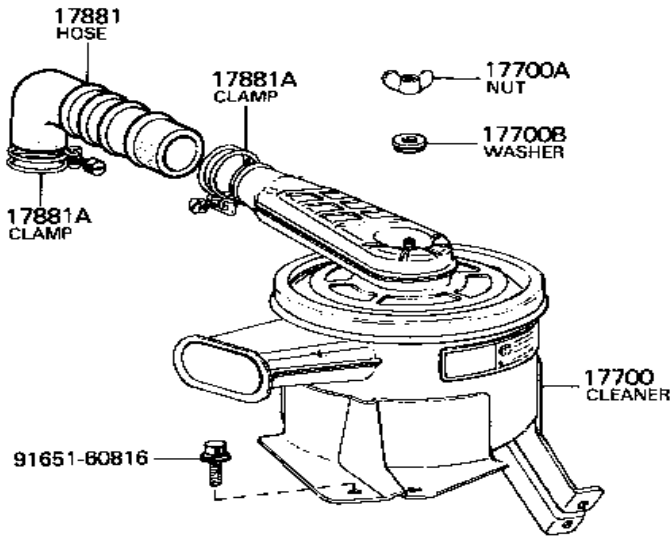
17700  
CLEANER

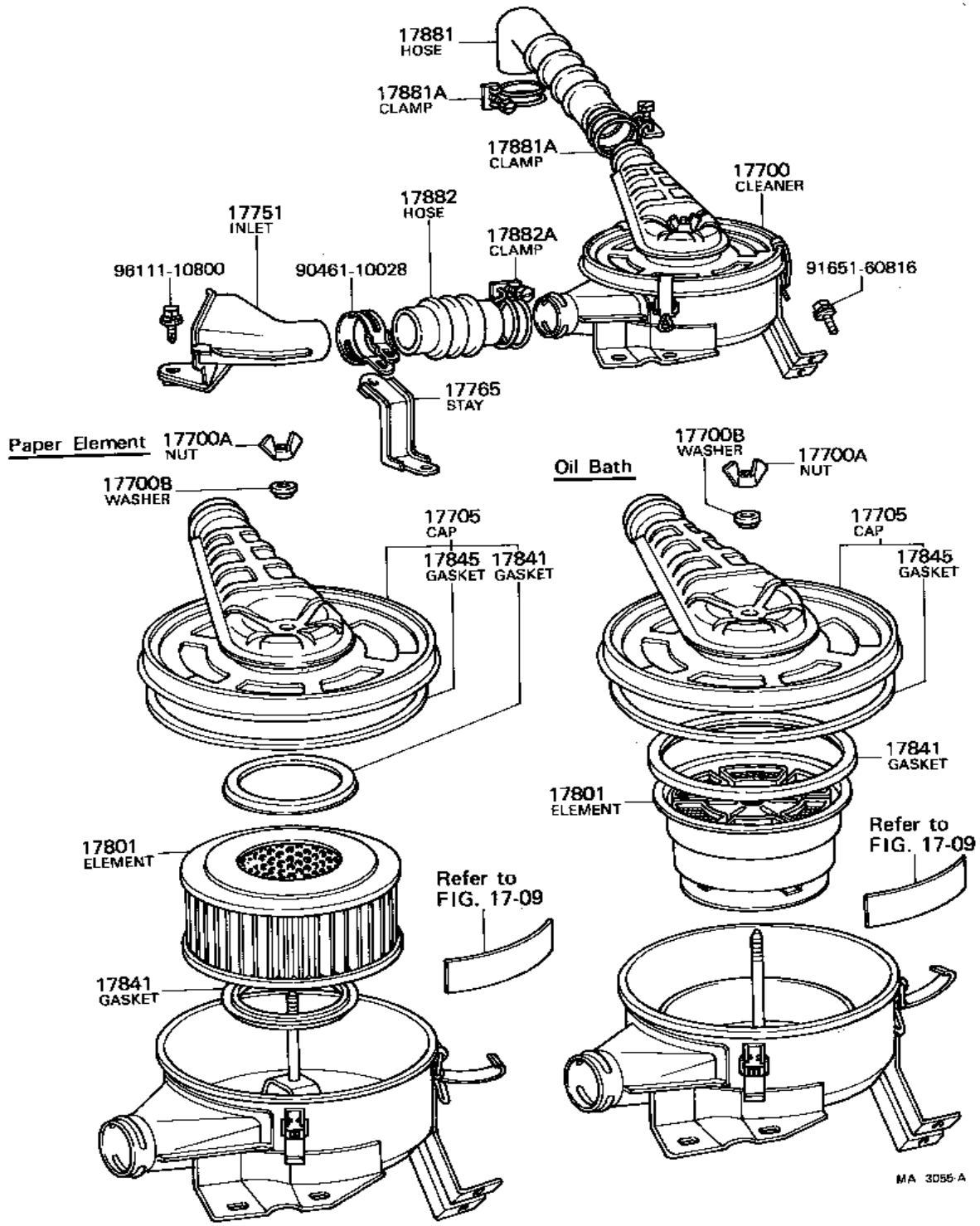


Refer to  
FIG. 17-09

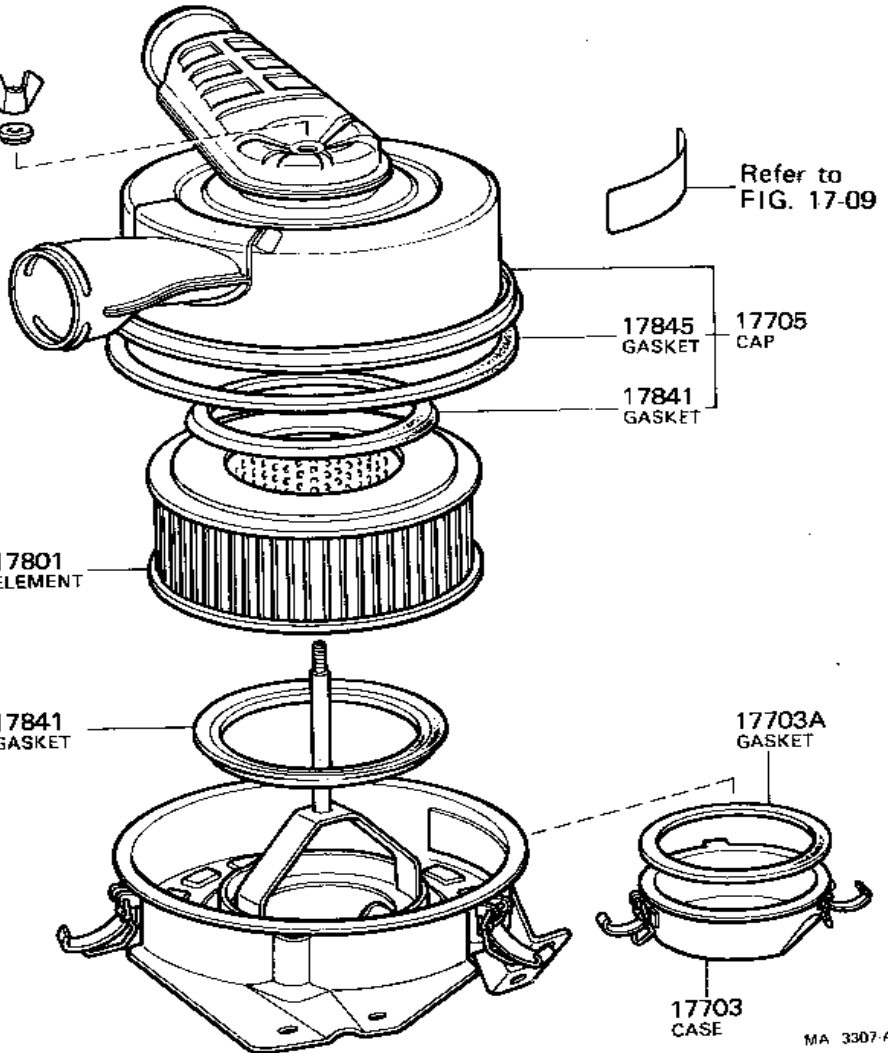
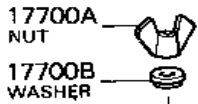
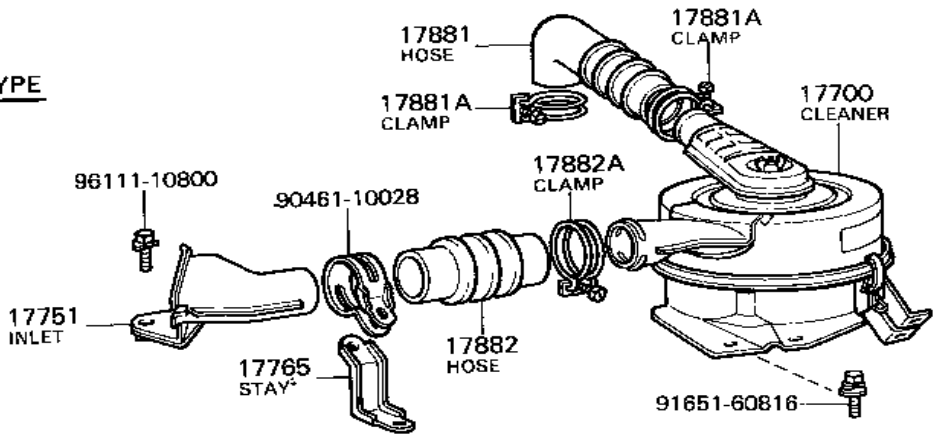


OIL BATH TYPE



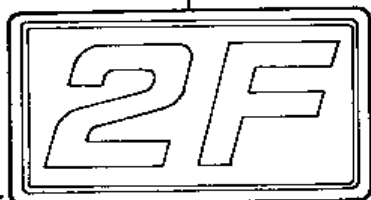


CYCLONE TYPE

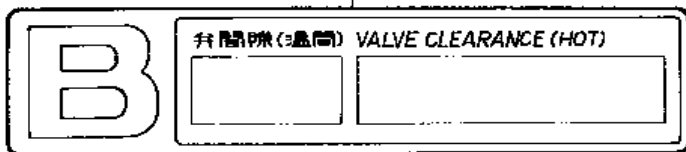




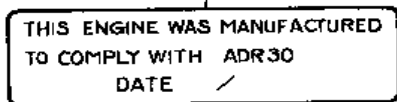
11291  
PLATE



11293  
PLATE



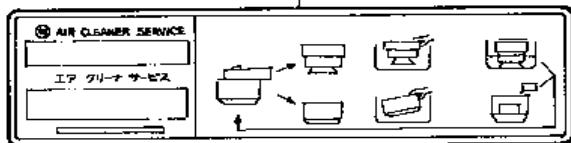
11294  
PLATE



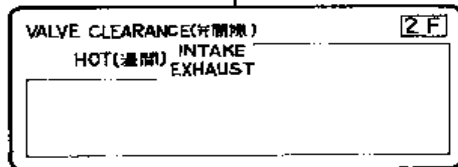
17700C  
PLATE



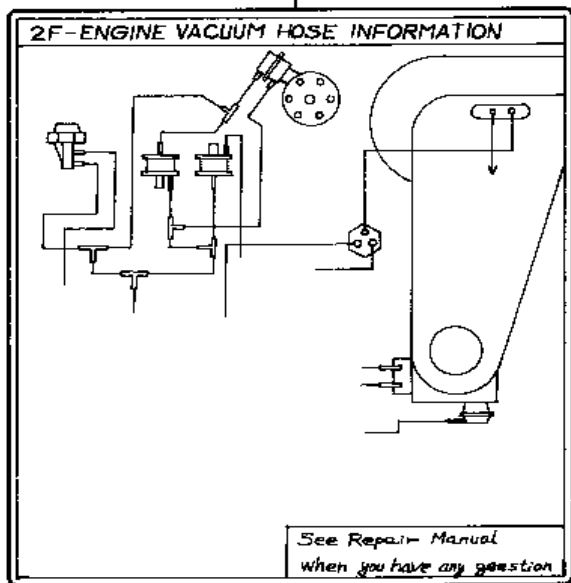
17700C  
PLATE



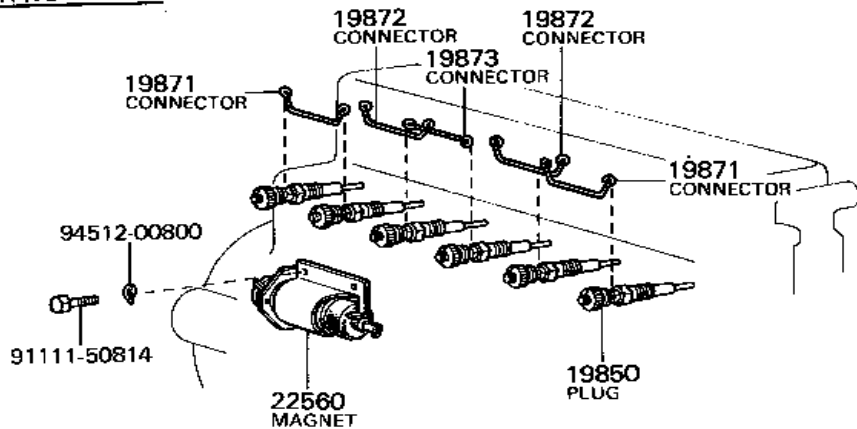
17700D  
PLATE



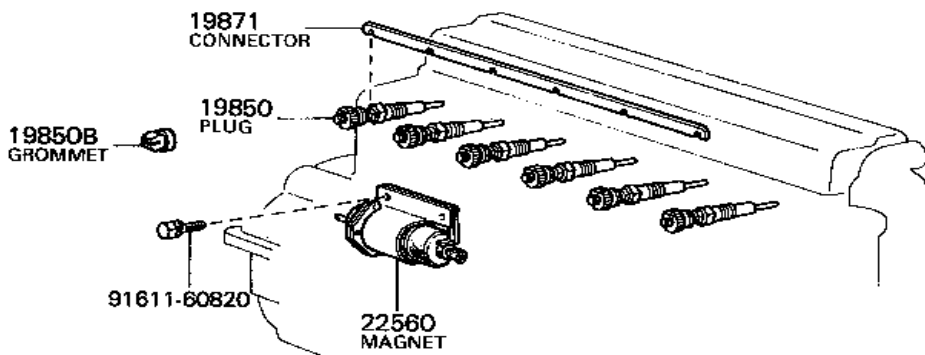
17792  
PLATE



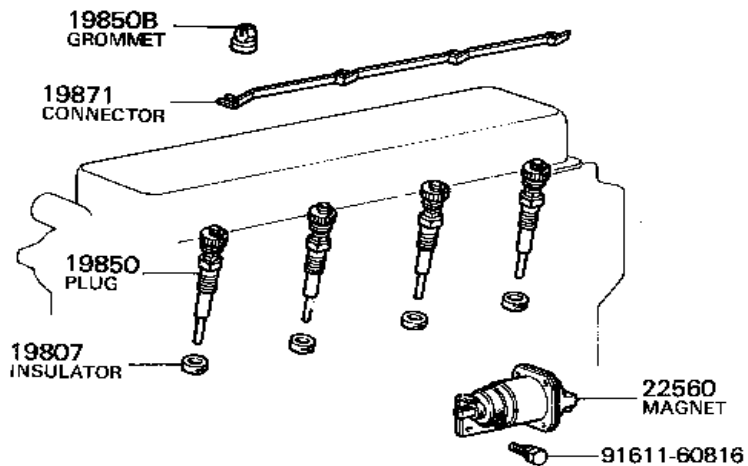
H (7204-7306)

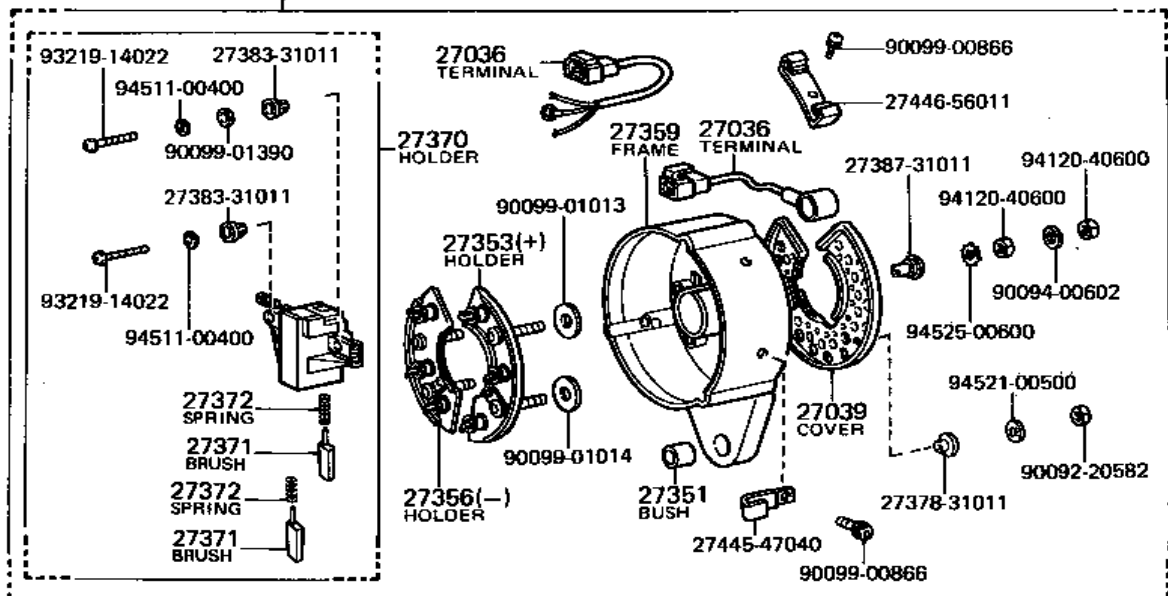
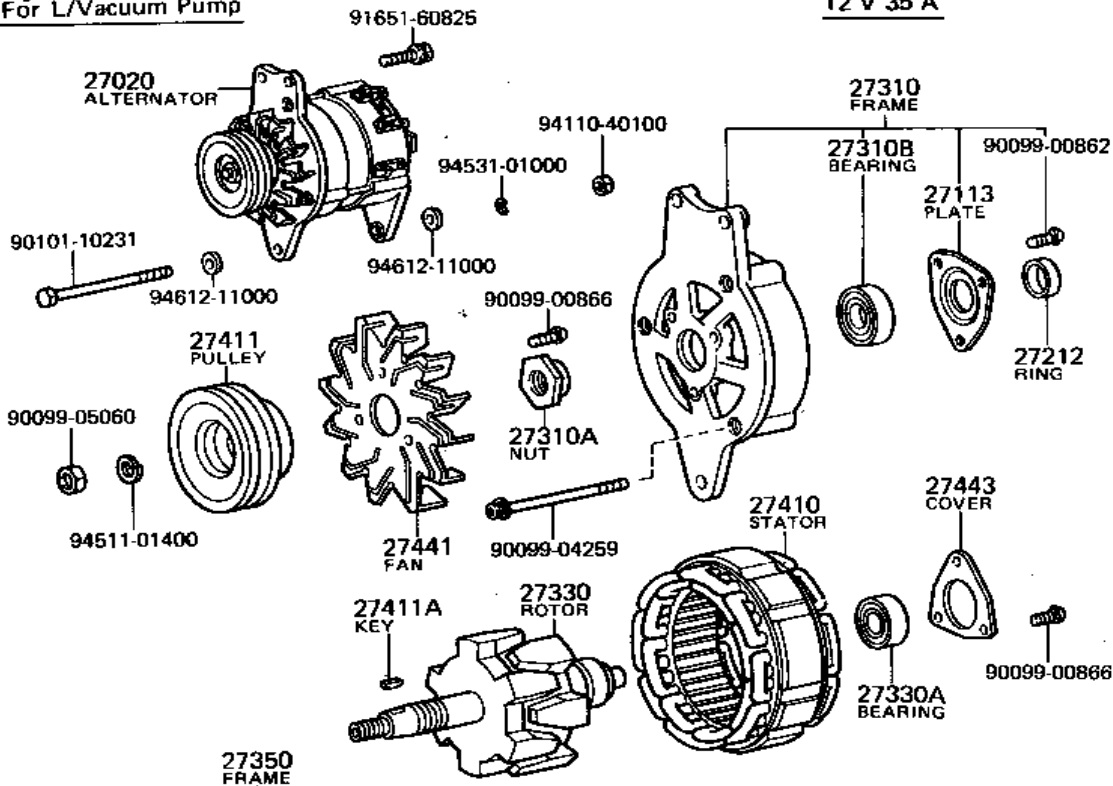


H (7306- )

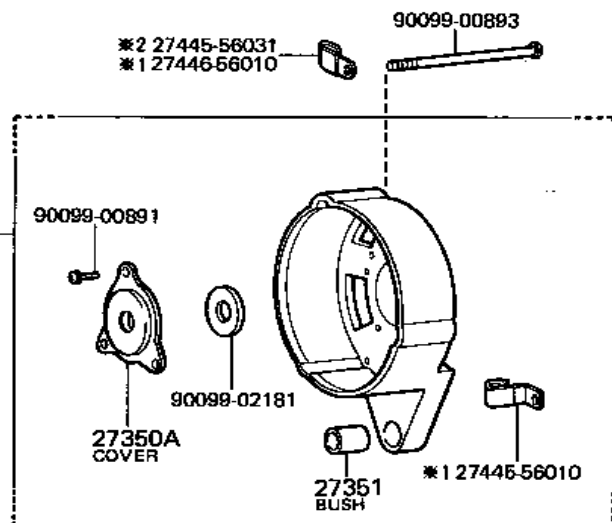
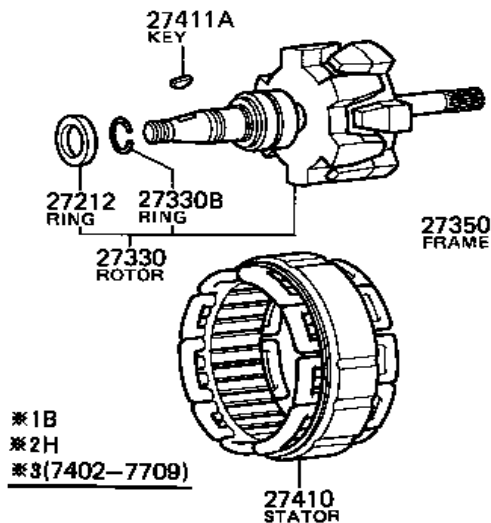
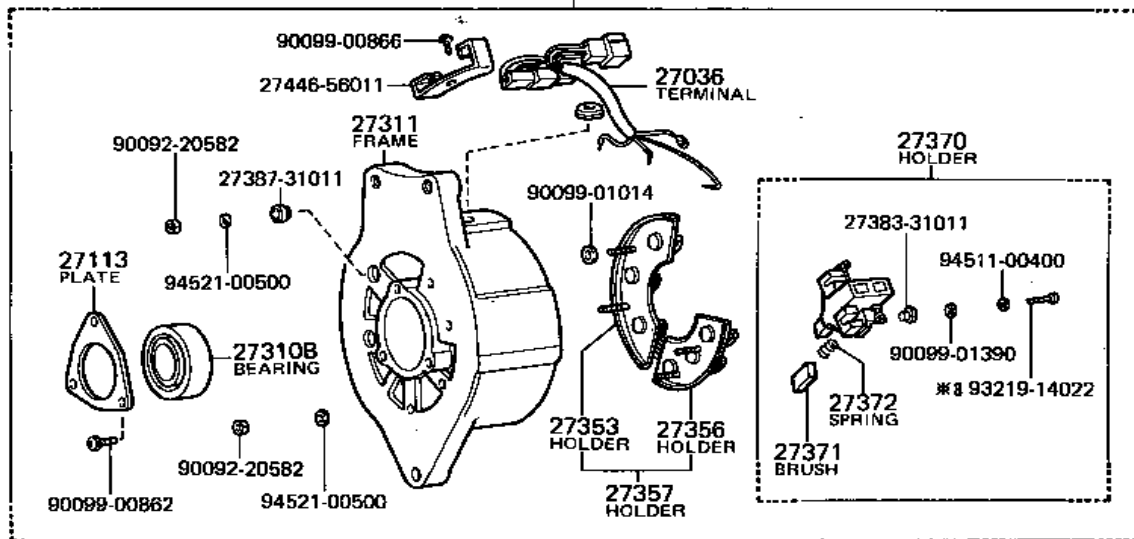
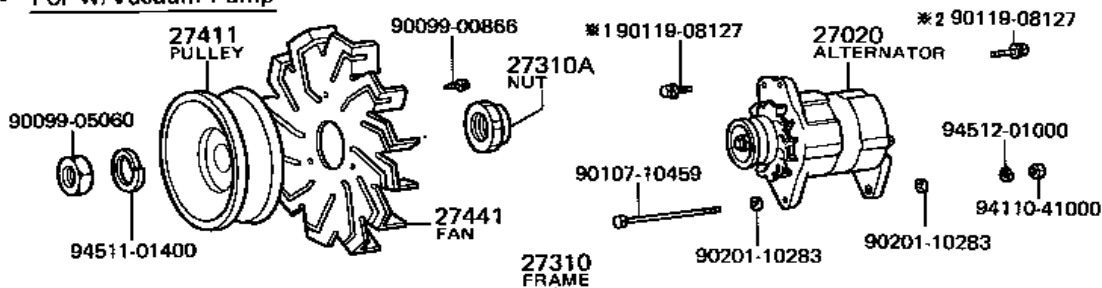


B

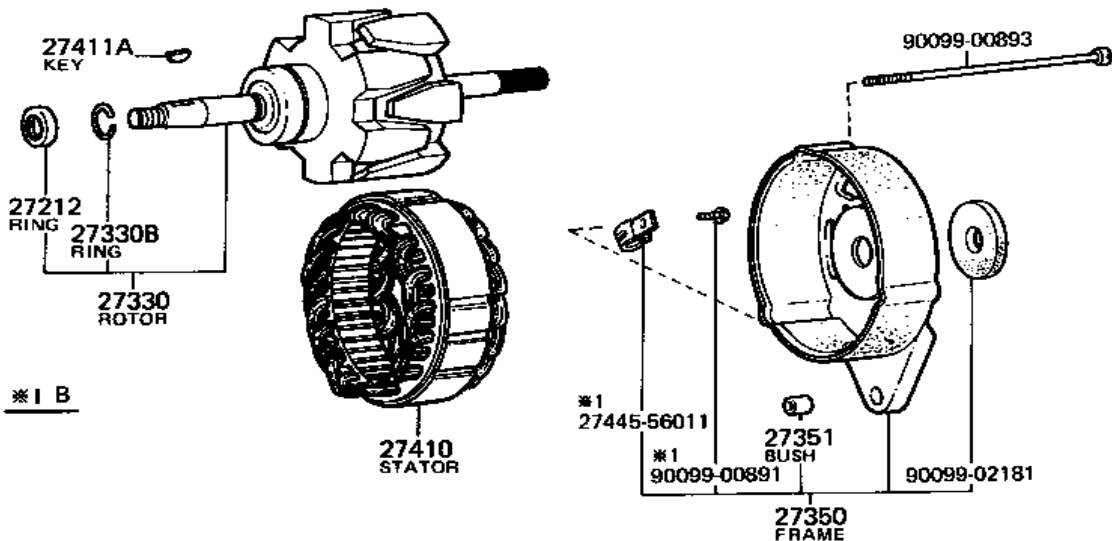
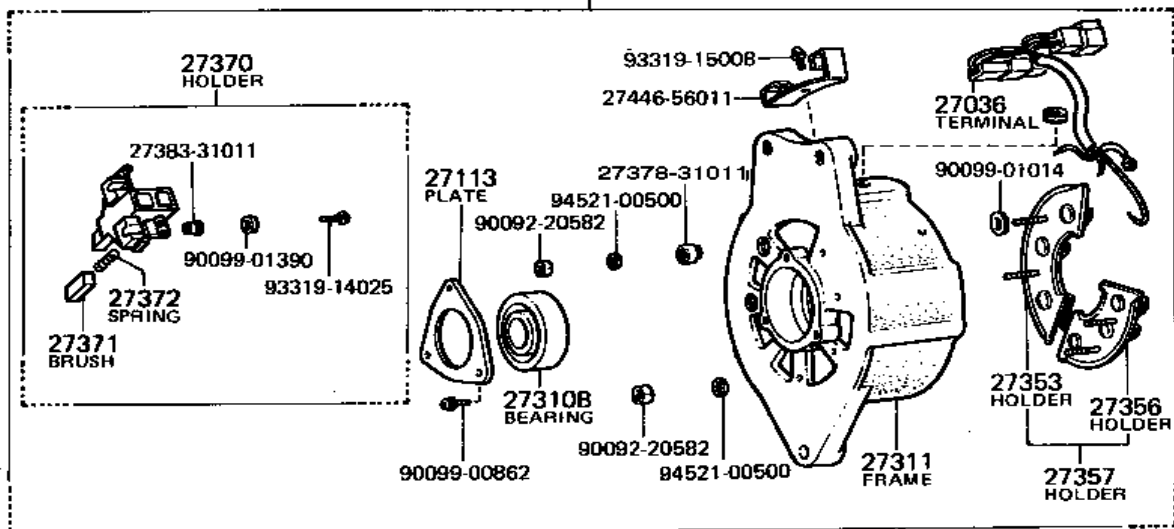
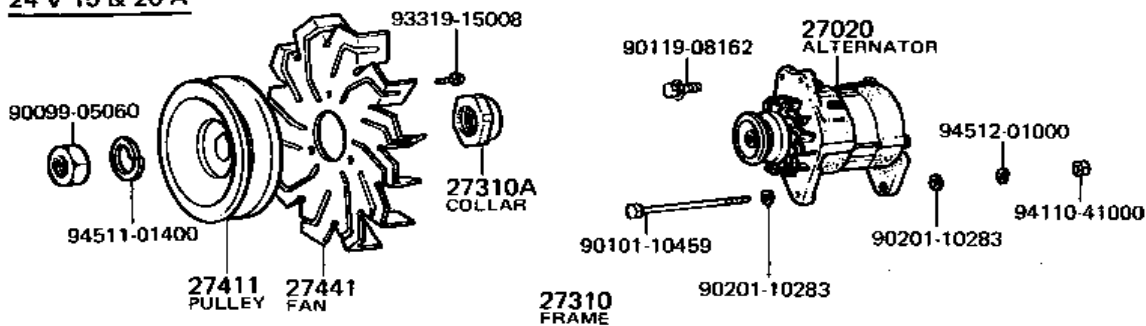




• For W/Vacuum Pump



12 V 35 A  
24 V 15 & 20 A



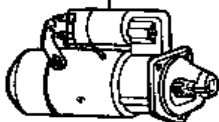
\* I B

28100  
STARTER

12 V 2.5 KW

94512-00800

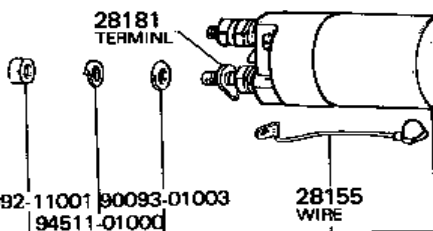
90099-05089



91161-51236  
94512-01200

28114  
PIN

28150A  
PACKING

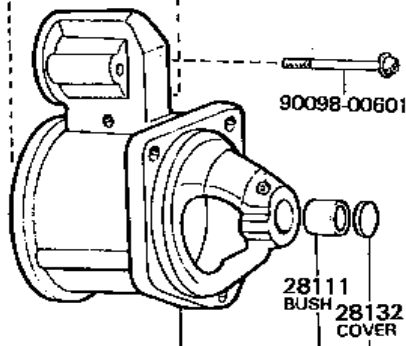


90092-11001 90093-01003  
94511-01000

28155  
WIRE

28150  
SWL MAGNET

28113  
LEVER



90098-00601

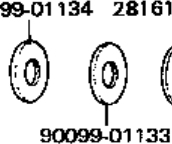
28111  
BUSH  
28132  
COVER

28110  
HOUSING

28160  
ARMATURE

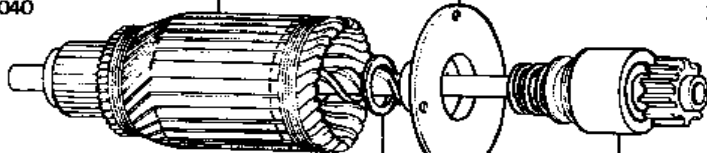
28012  
BEARING

90099-01132  
90099-01134 28161-77040



90099-01133

28163  
NUT



28011  
CLUTCH

28163A  
RING

90099-01324

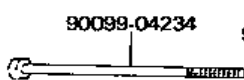
28151  
PLATE

90098-00501

90092-21001

94511-01000

28151  
PLATE



90099-04234

90094-00701



28170  
COVER

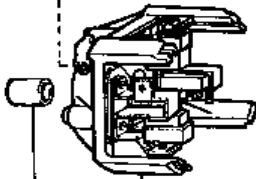
28170A  
RING

90092-20582

94512-00800

94511-00500

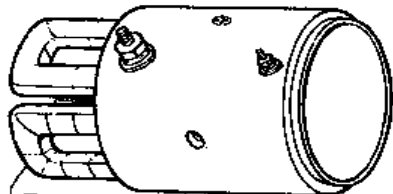
90091-00588



28131  
BUSH  
28142  
BRUSH

28130  
FRAME

28143  
SPRING

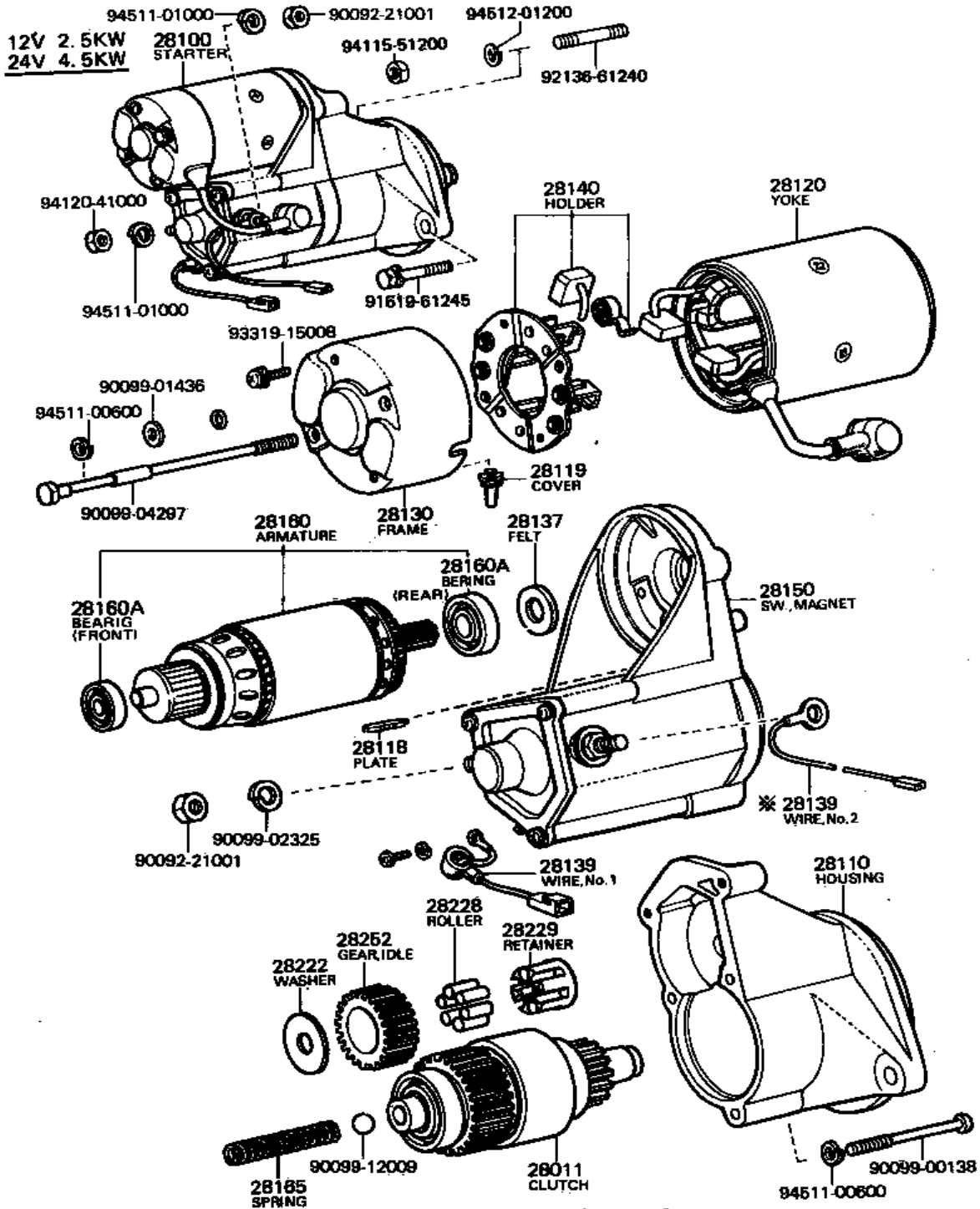


28121  
COIL

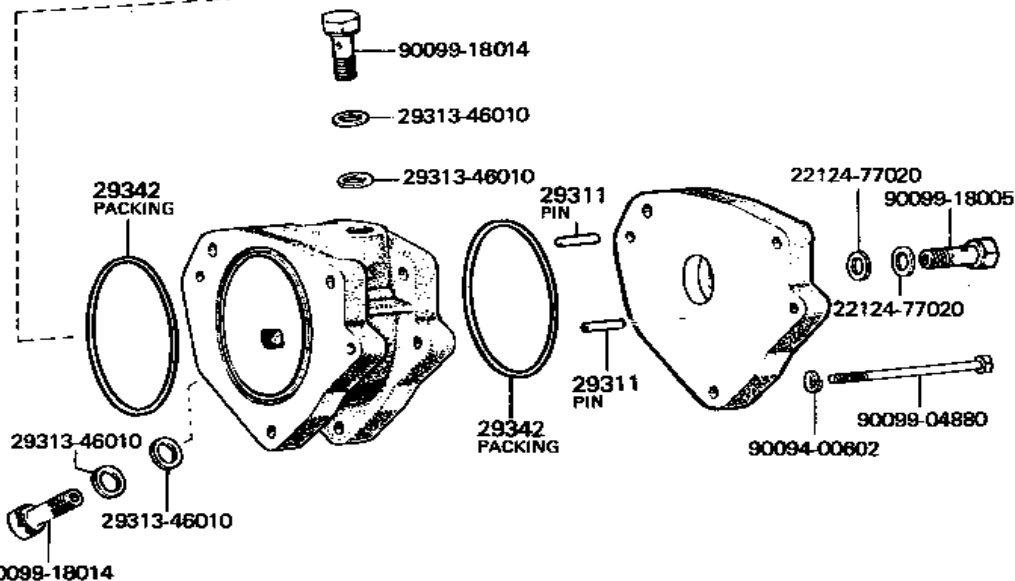
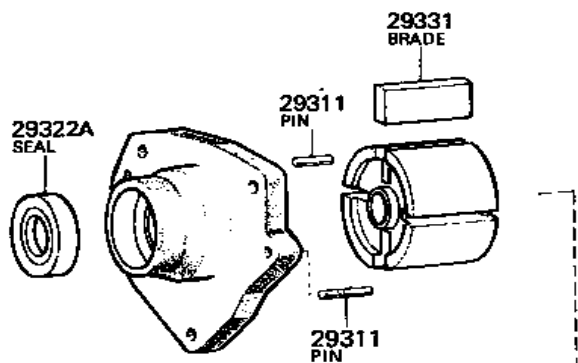
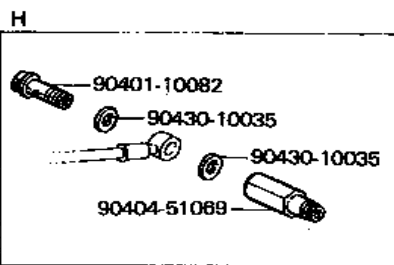
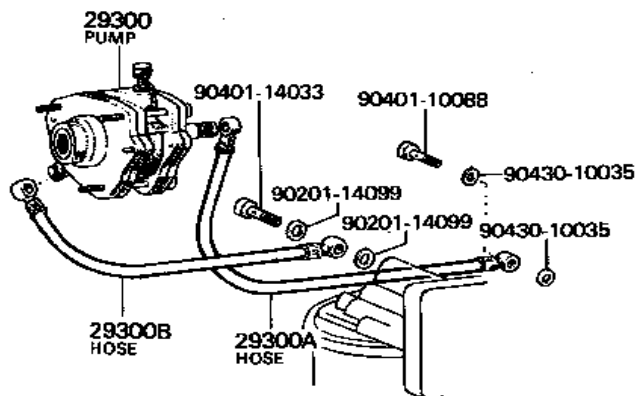
28123  
CORE

90099-00094

28120  
YOKE

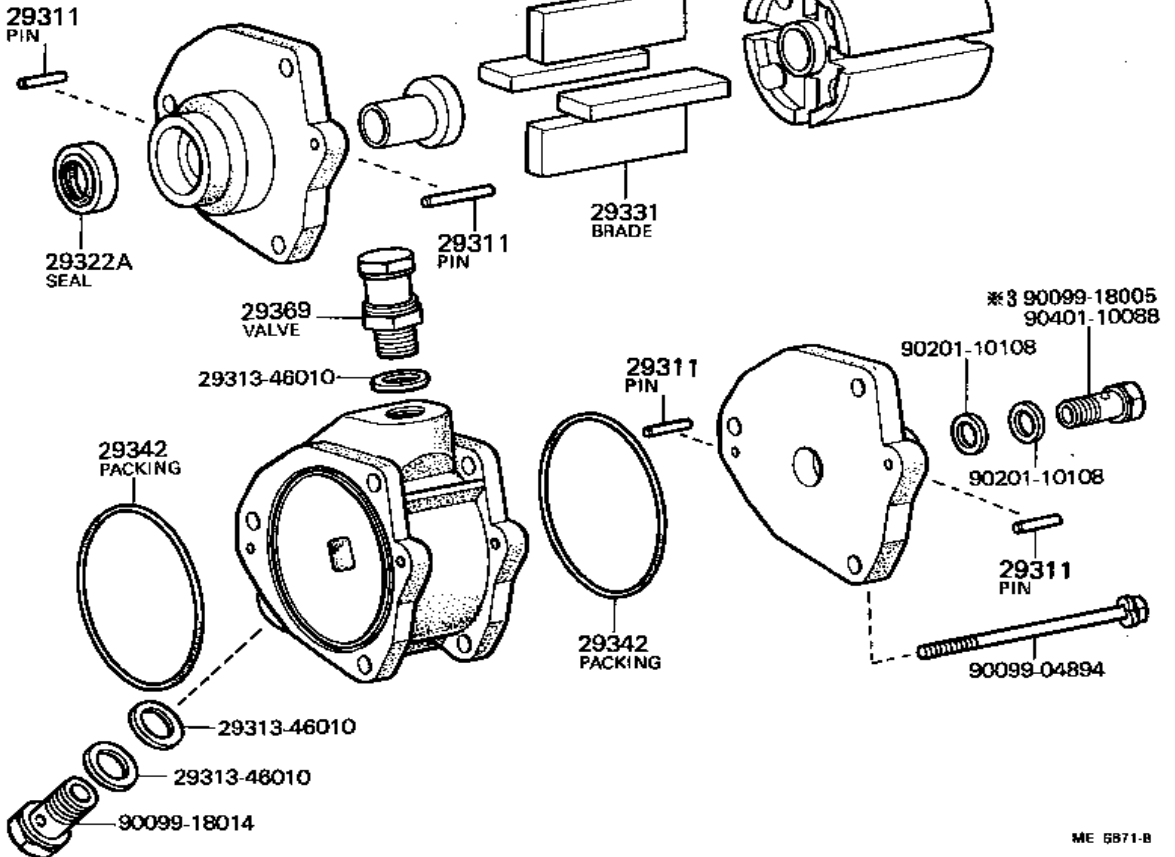
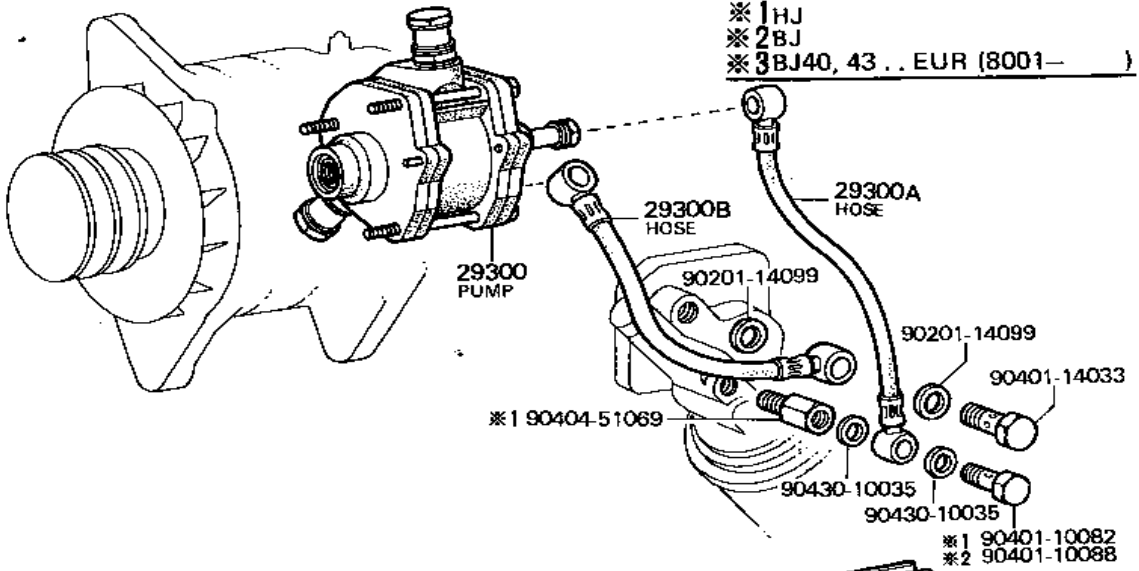


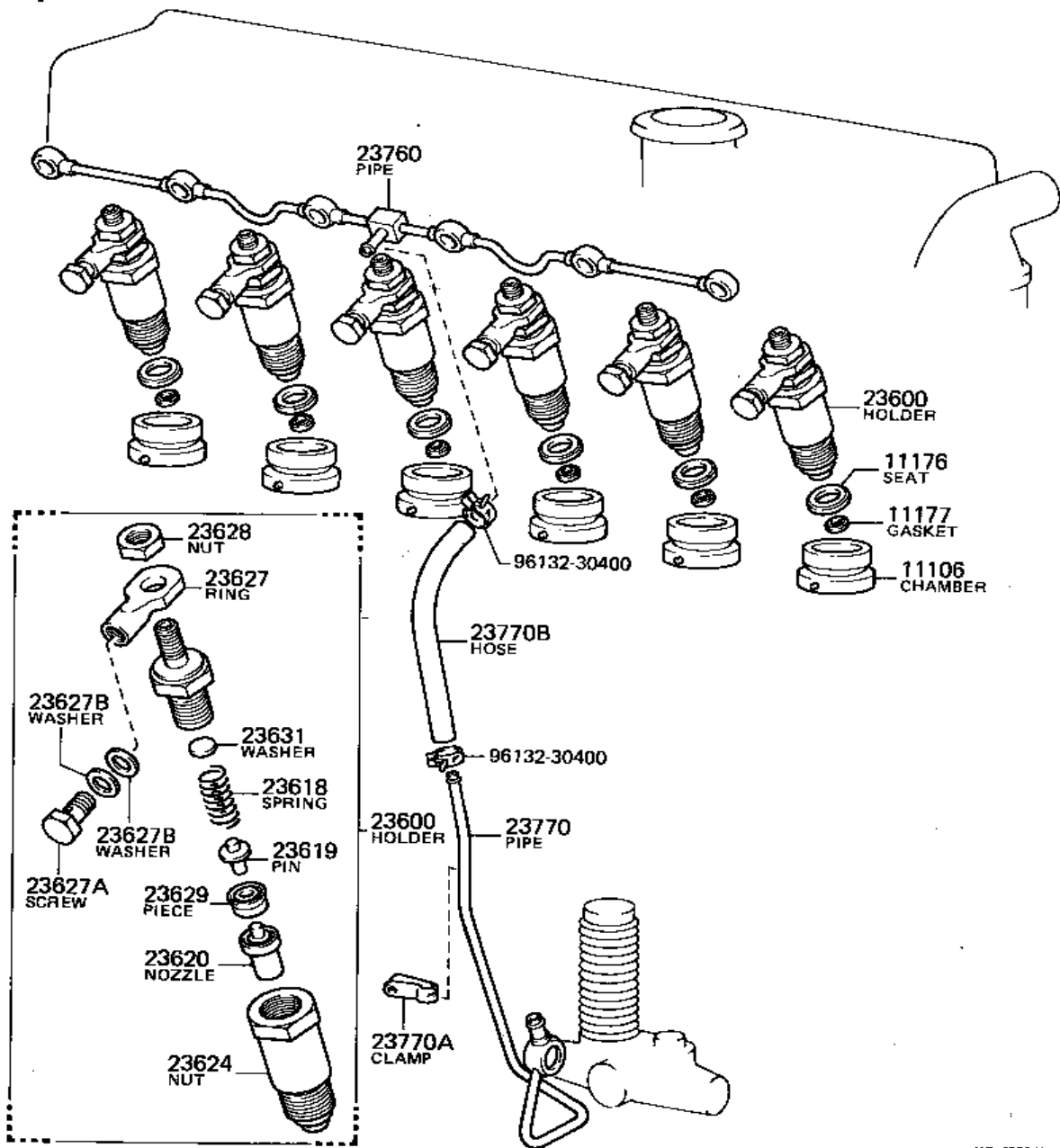
※ L/E. D. I. C.

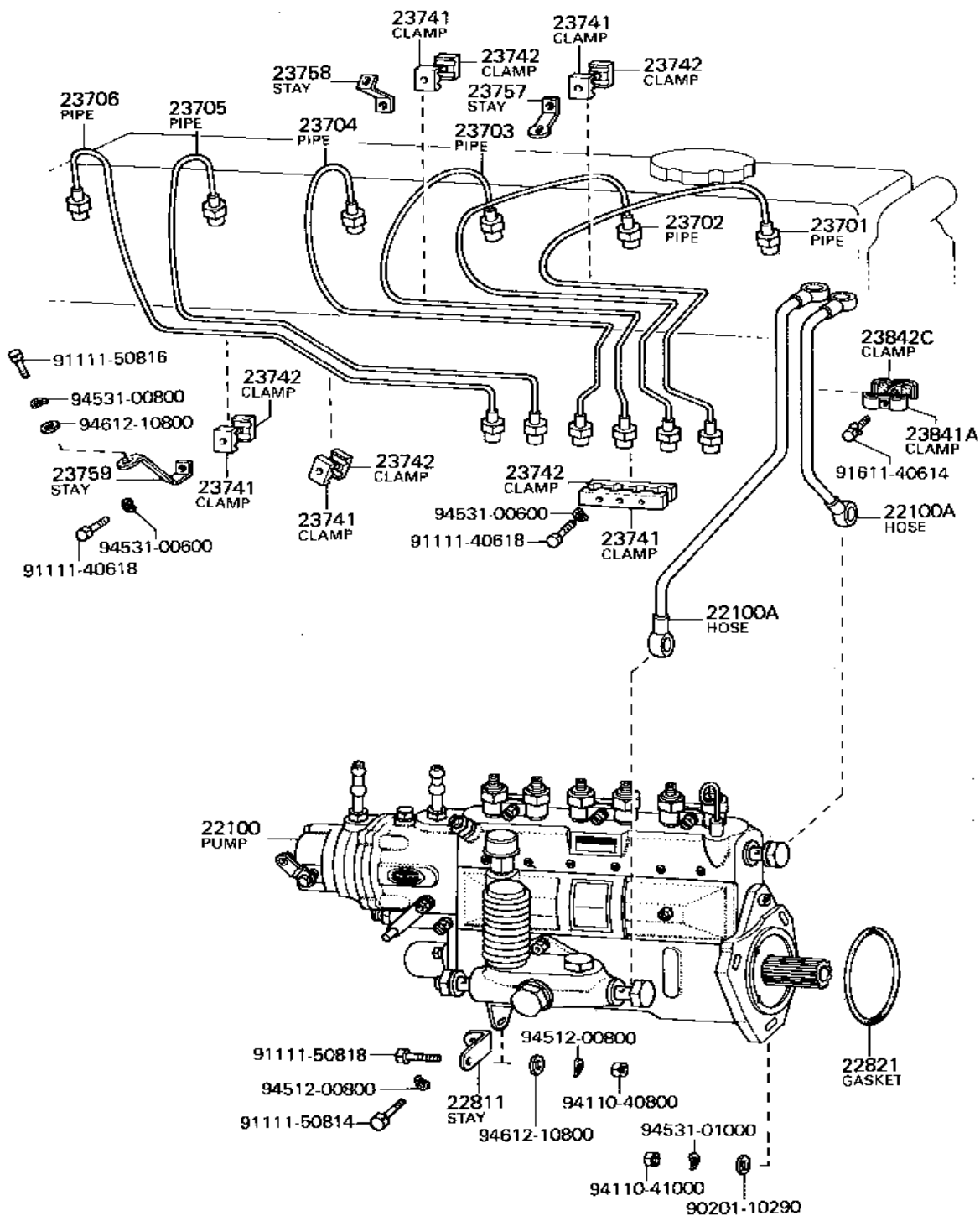


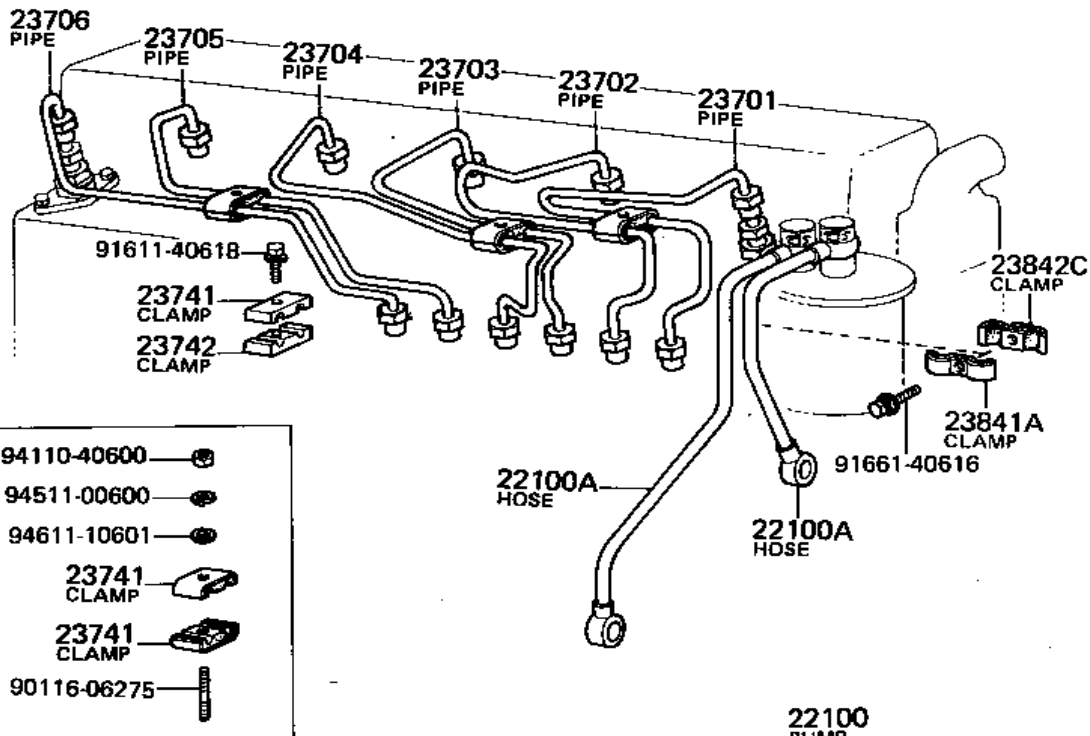


\*1 HJ  
 \*2 BJ  
 \*3 BJ40, 43 .. EUR (8001- )



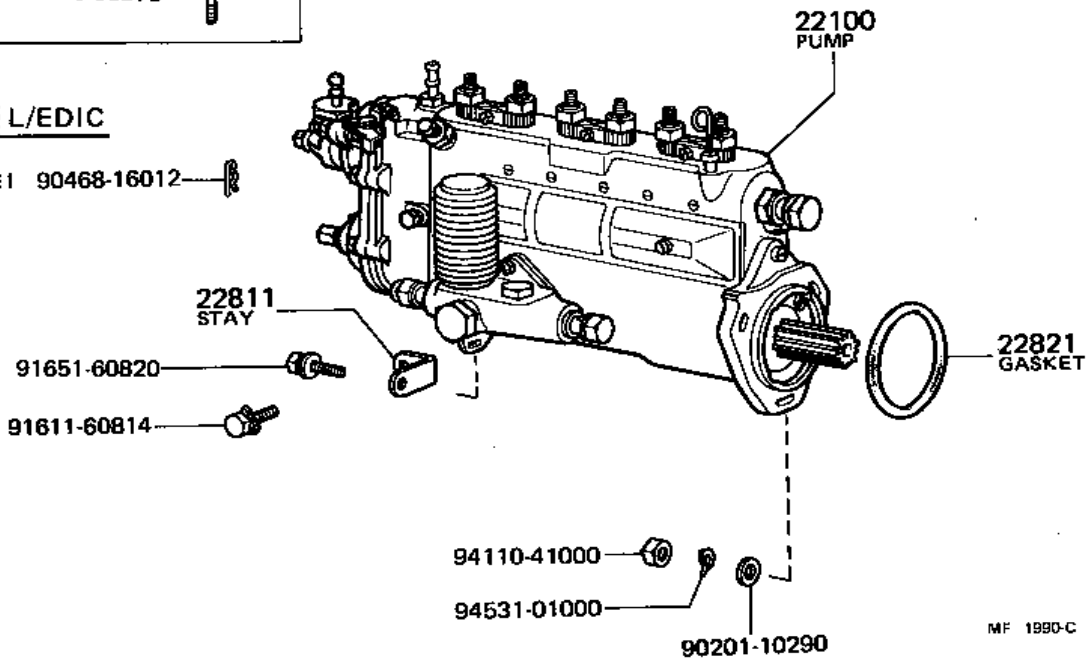


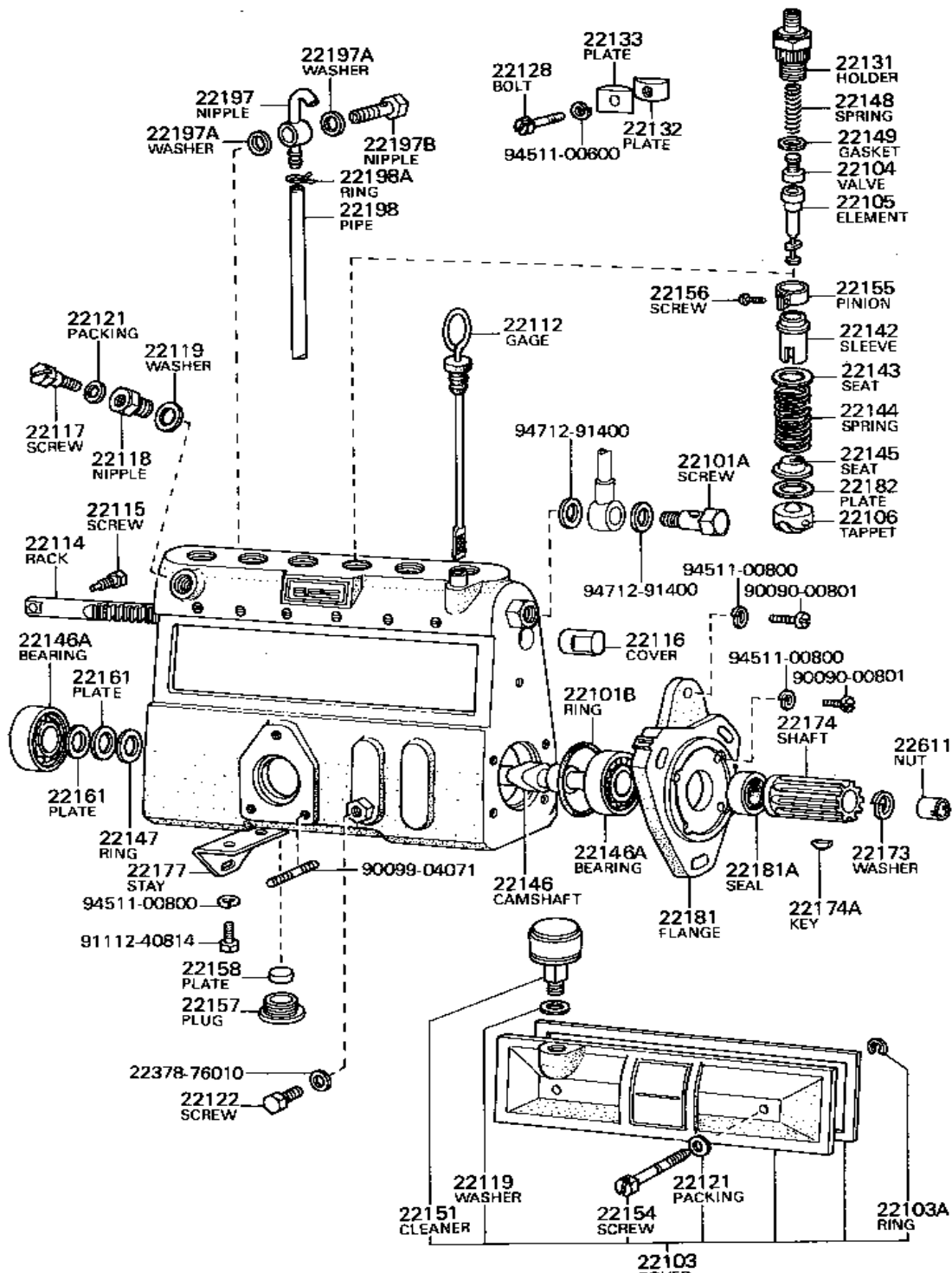


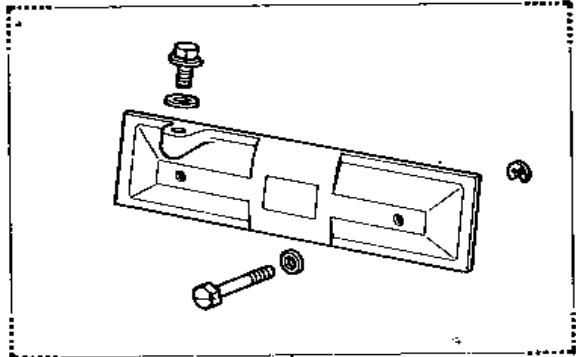


**\* L/EDIC**

\*1 90468-16012







22103  
COVER

22102  
PLATE SET

22131  
HOLDER

22148  
SPRING

22149  
GASKET

22104  
VALVE

22156  
SCREW

22155  
PINION

22142  
SLEEVE

22143  
SEAT

22144  
SPRING

22145  
SEAT

22105  
ELEMENT

22182  
PLATE

22106  
TAPPET

22117  
SCREW

22118  
NIPPLE

22119  
WASHER

22121  
GASKET

22114  
SHAFT

22115  
SCREW

22101  
HOUSING

94712-77121

90099-18010

94712-77121

22116  
COVER

22146A  
BEARING

22161  
PLATE

22174A  
KEY

22195  
GASKET

22181  
FLANGE

Refer to  
FIG. 22-06

22147  
RING

22161  
PLATE

90201-08106

90099-00894

22173  
WASHER

90401-10006

90099-01451  
90099-01451

22146  
CAMSHAFT RING

22147  
RING

22174  
SHAFT

22611  
NUT

22157  
PLUG

22146A  
BEARING

22174  
SHAFT

90099-04071

22177  
STAY

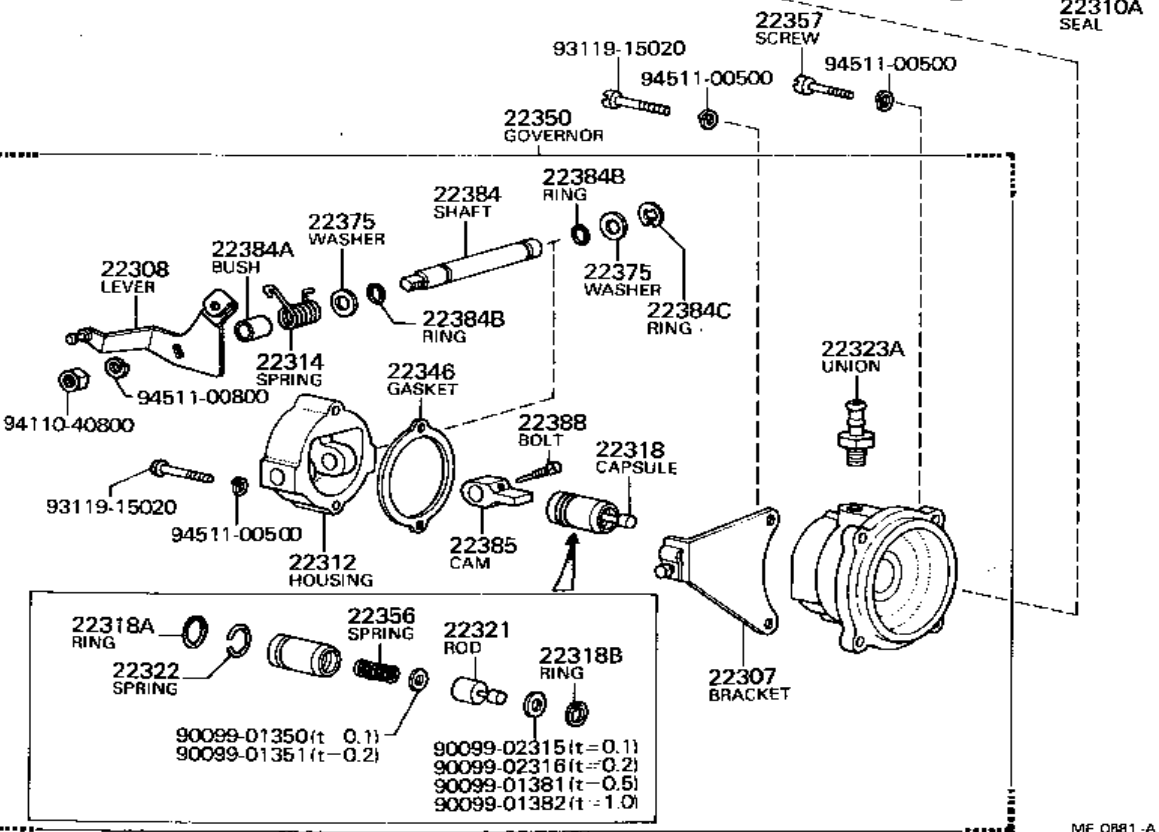
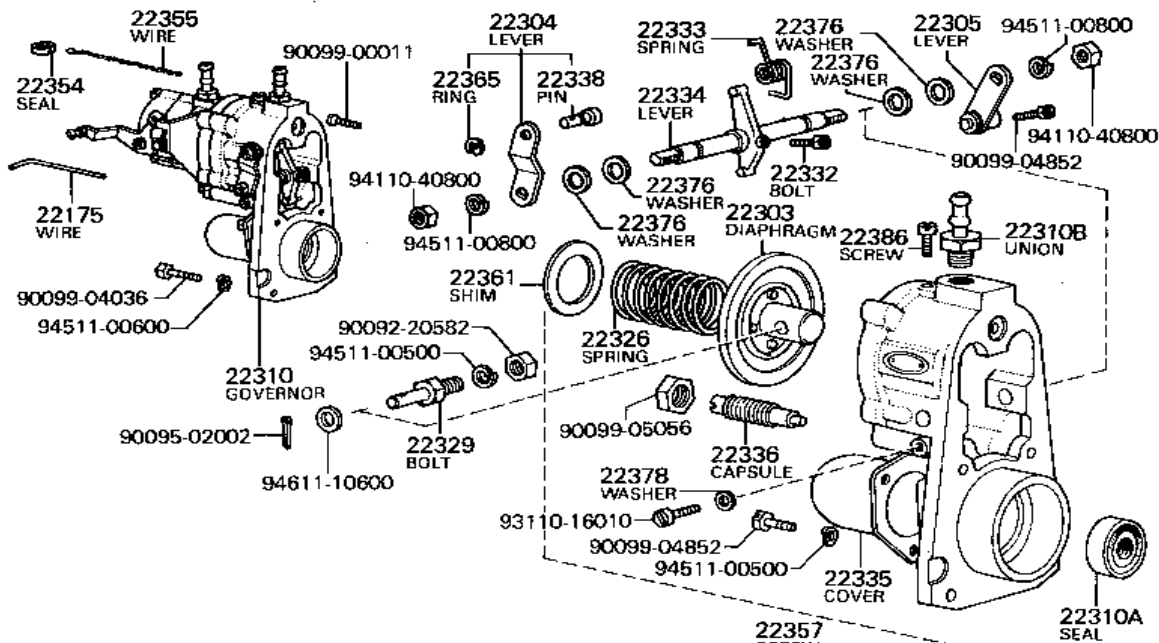
90094-00801

90094-00801

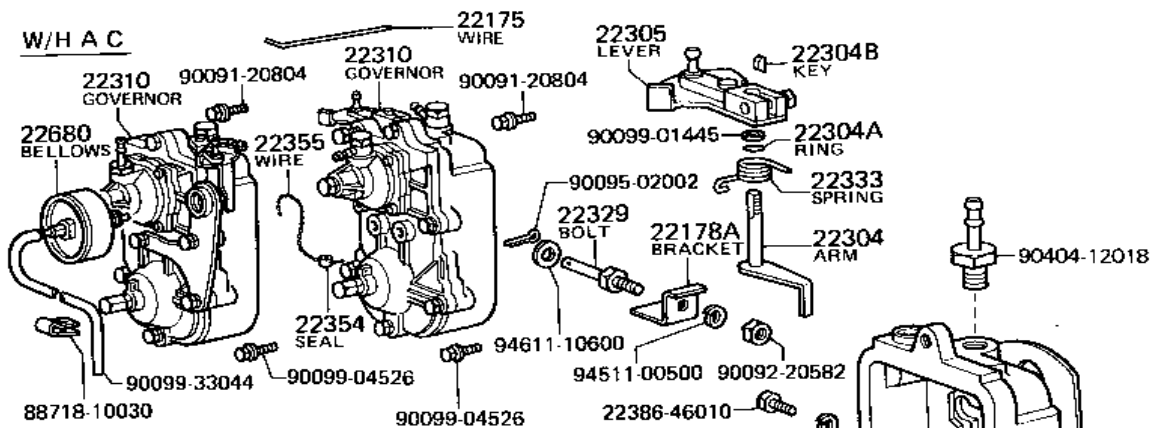
90090-00801

94120-40600

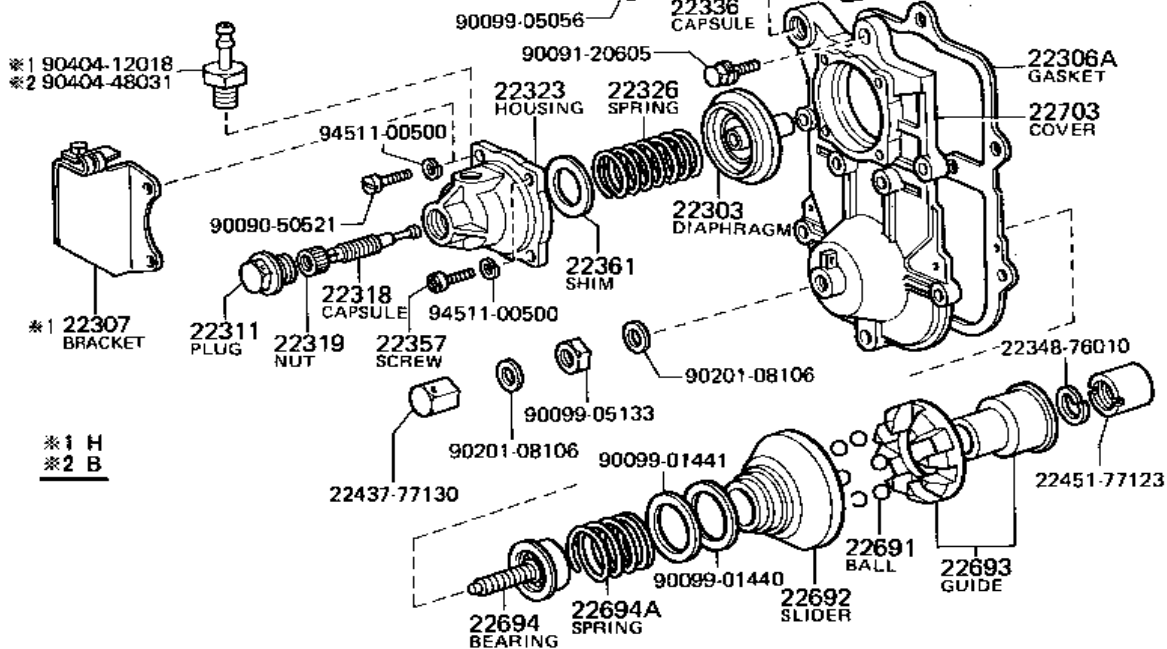
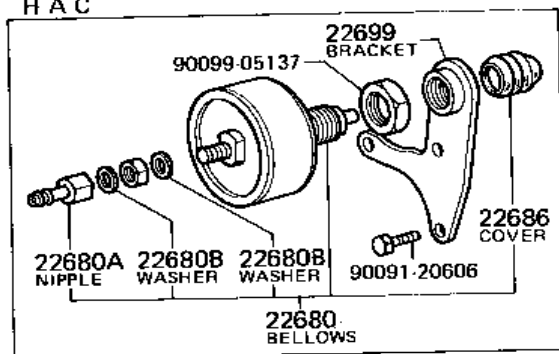
90091-00888



**W/H A C**

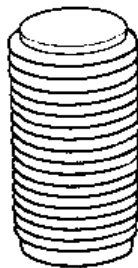


**H A C**

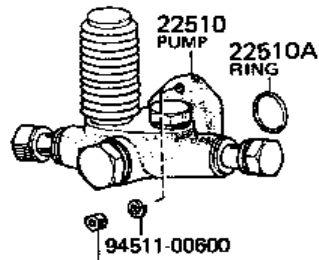


\*1 H  
 \*2 B



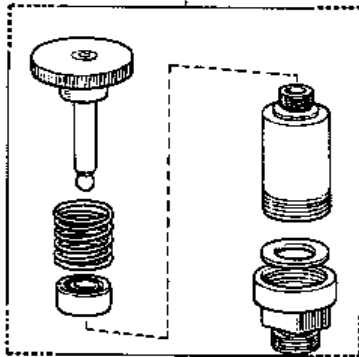


22511  
COVER

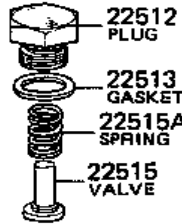


90192-20603

22501  
PUMP



22513  
GASKET  
22515A  
SPRING  
22515  
VALVE



22528  
RING

22525  
ROLLER

22524  
TAPPET

22527  
BLOCK

22517  
ROD

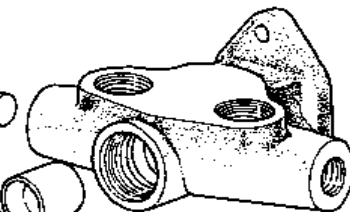
22524A  
SPRING

22527  
BLOCK  
22526  
PIN

22535  
SCREW

94712-91400  
22529  
FILTER

94712-91400



22518  
PISTON

22519  
SPRING

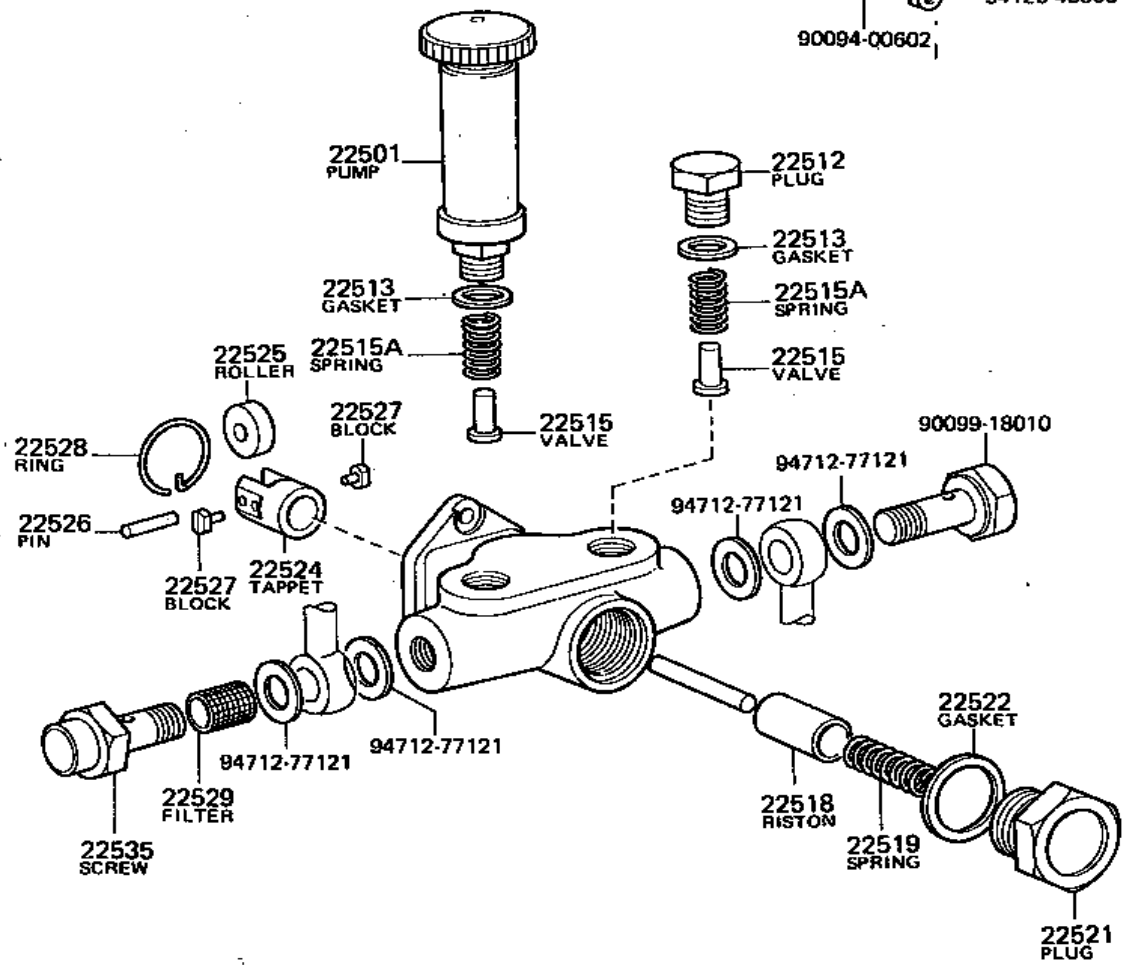
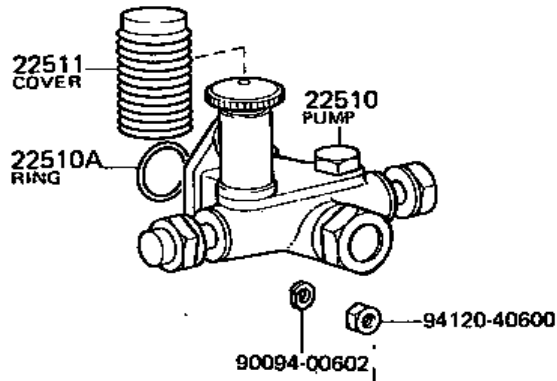
22522  
GASKET

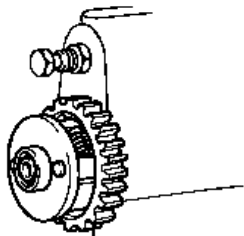
22521  
PLUG

94712-91400

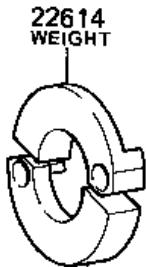
94712-91400

90099-18010





22610  
TIMER



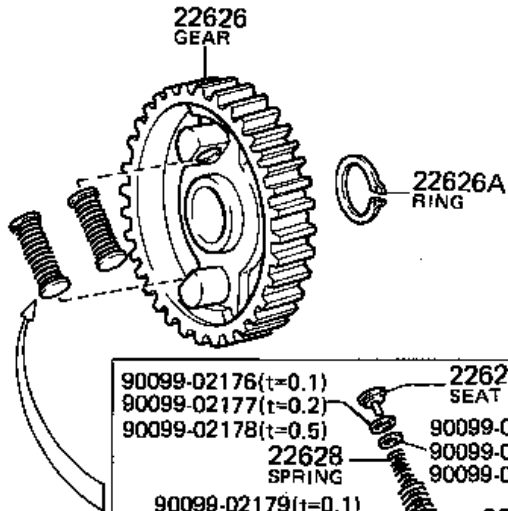
22614  
WEIGHT



22616A  
BEARING

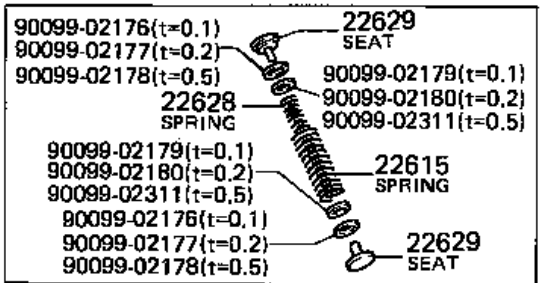


22616  
HUB



22626  
GEAR

22626A  
RING



( -7910)

