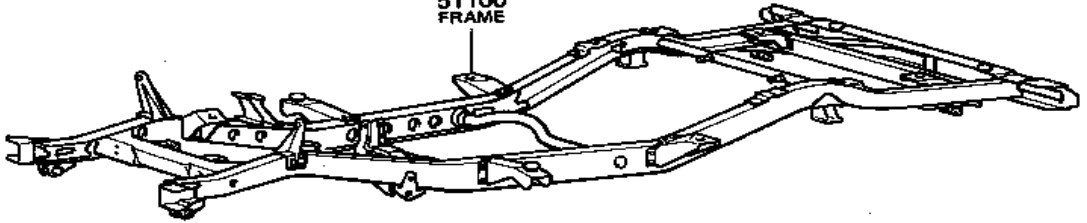
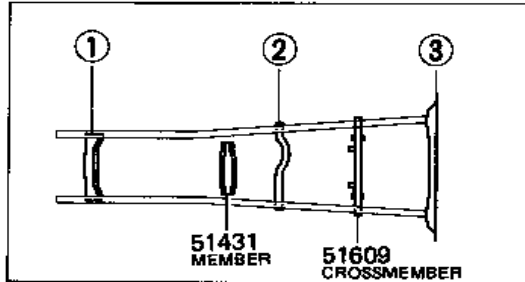


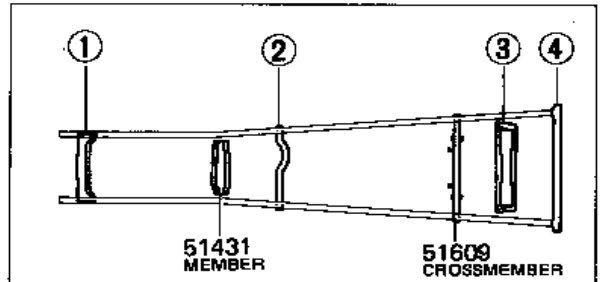
51100
FRAME



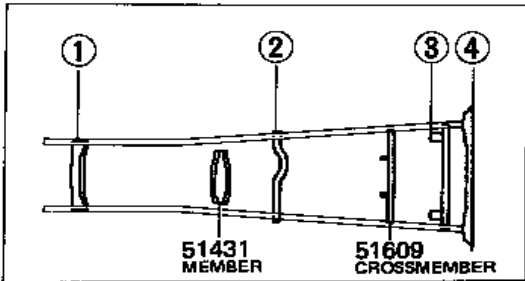
BJ40, 42, FJ40



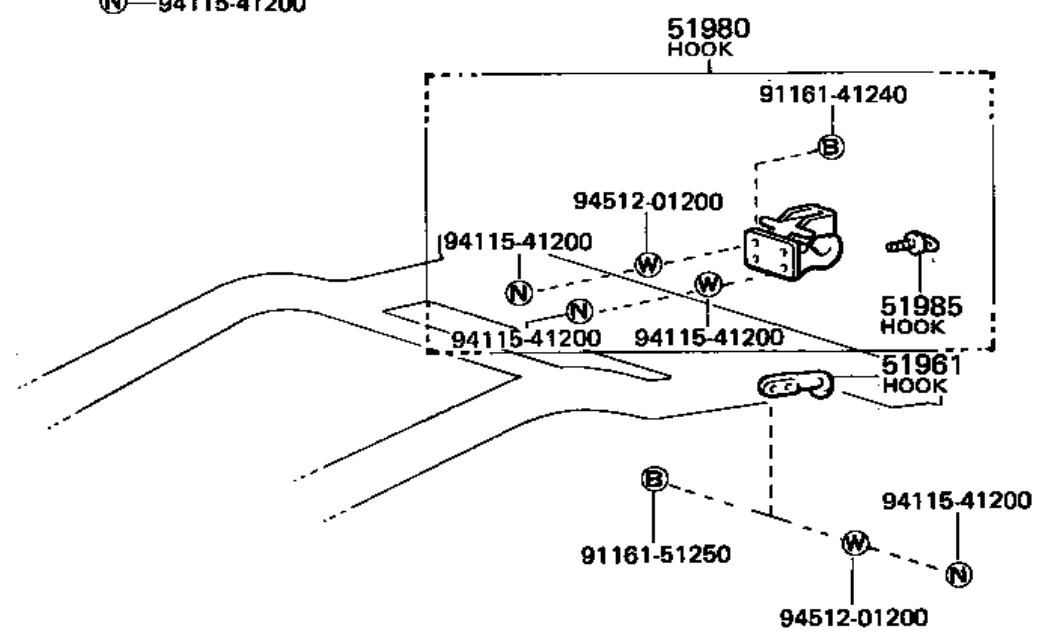
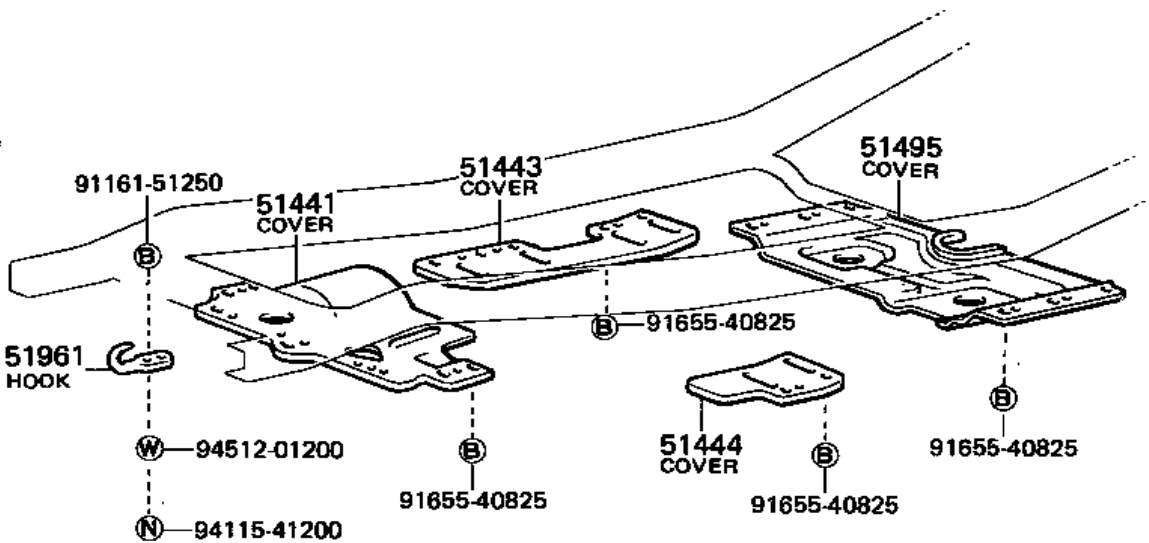
BJ45, HJ47, FJ45



BJ43, 46, FJ43

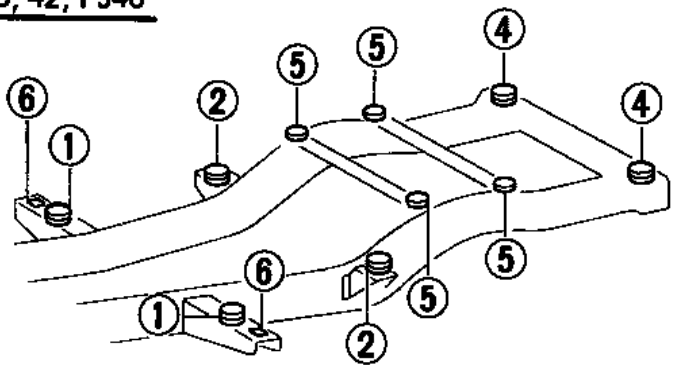


	PART NAME CODE & PART NAME		PART NAME CODE & PART NAME		PART NAME CODE & PART NAME
①	51202 CROSSMEMBER (No. 1)	②	51203 CROSSMEMBER (No. 2)	③	51204 CROSSMEMBER (No. 3)
④	51205 CROSSMEMBER (No.4)				

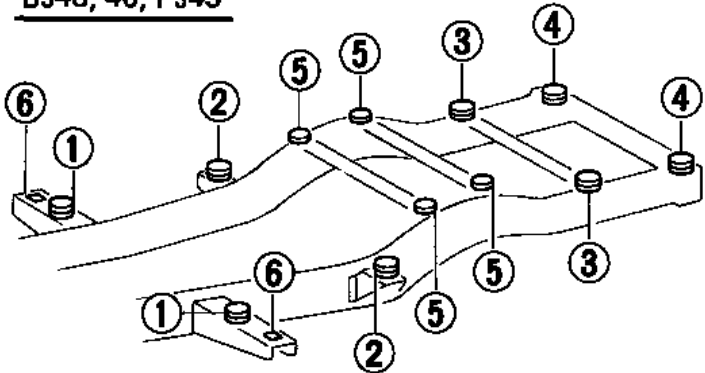


MB B506-B

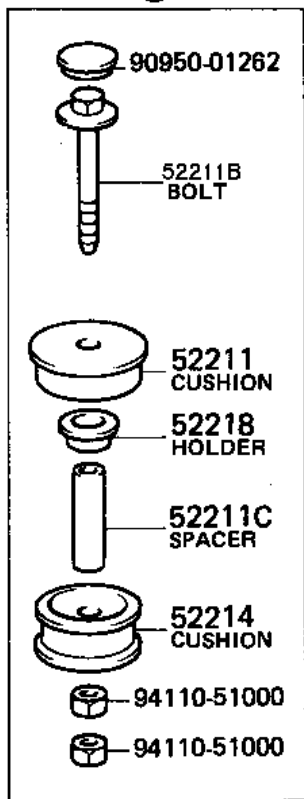
BJ40, 42, FJ40



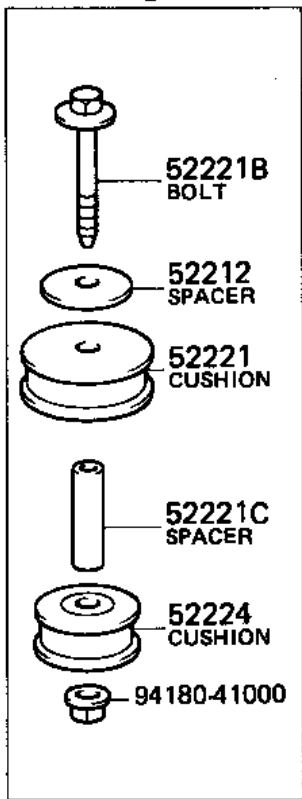
BJ43, 46, FJ43



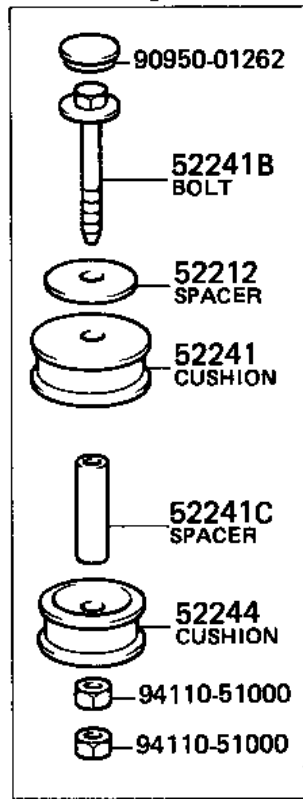
①



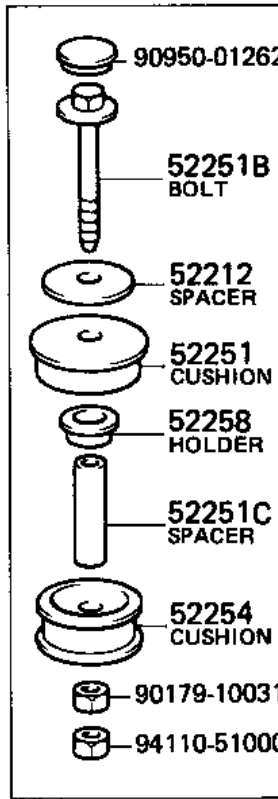
②



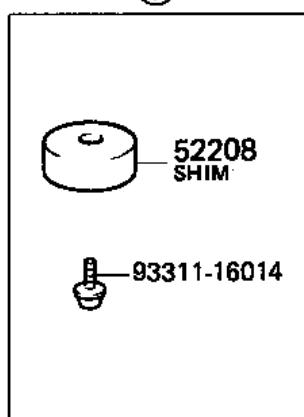
③



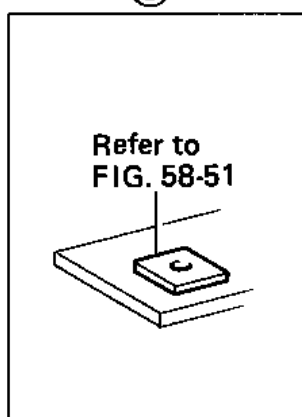
④



⑤



⑥



91111-40818 (2)



Refer to
FIG. 75-54



94612-10800

94511-00800

94110-40800

52176
GUIDE

52111
BUMPER

52102
BRACKET

52111C
BOLT

52103
BRACKET

52105
STAY

52106
STAY

94110-40800

94512-00800

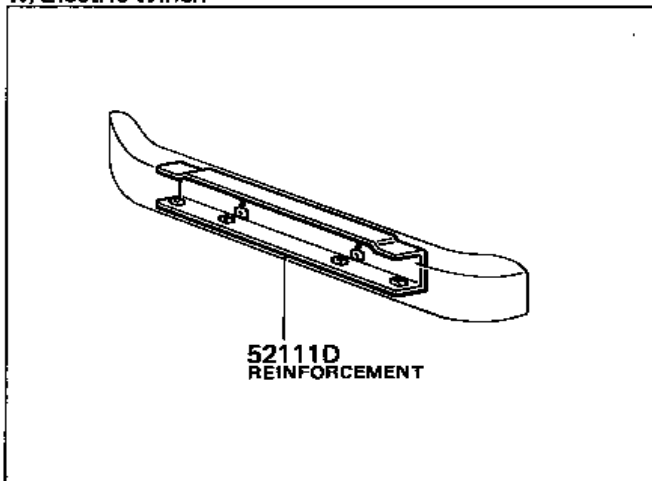
94512-01000

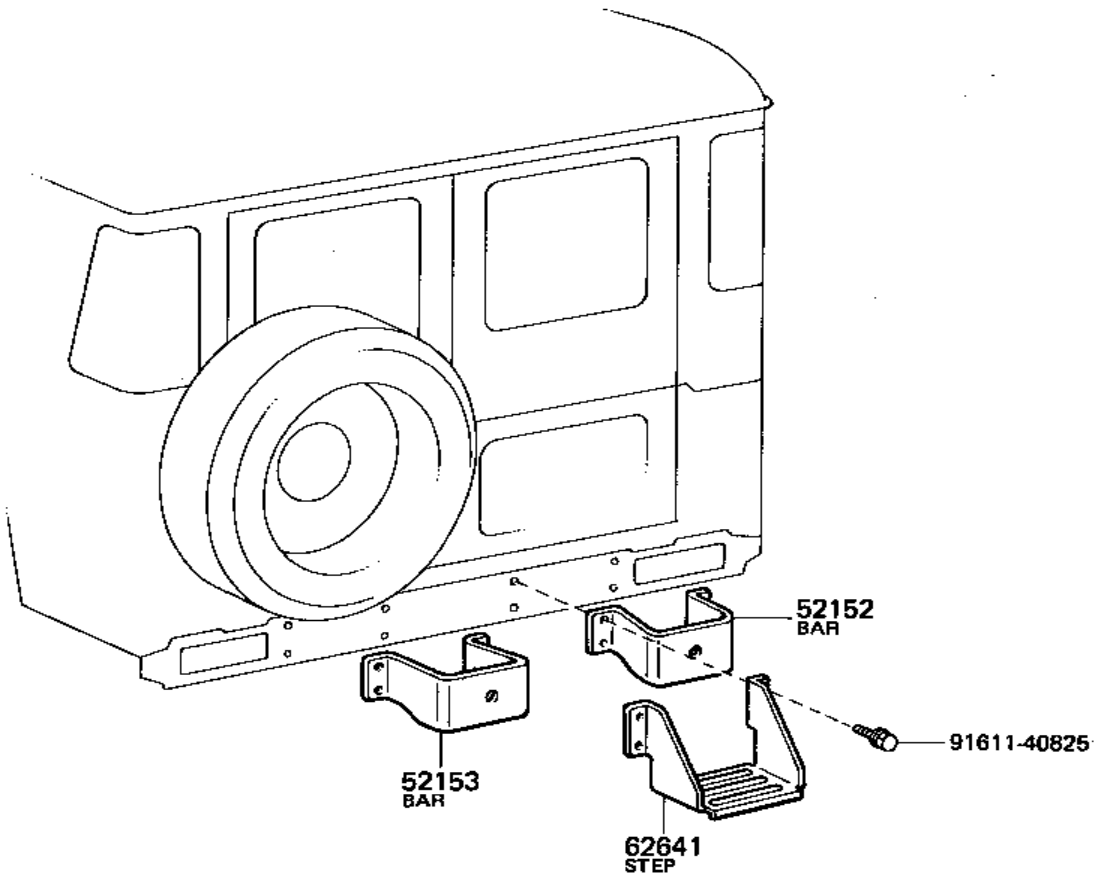
94110-41000

91111-40818 (4)

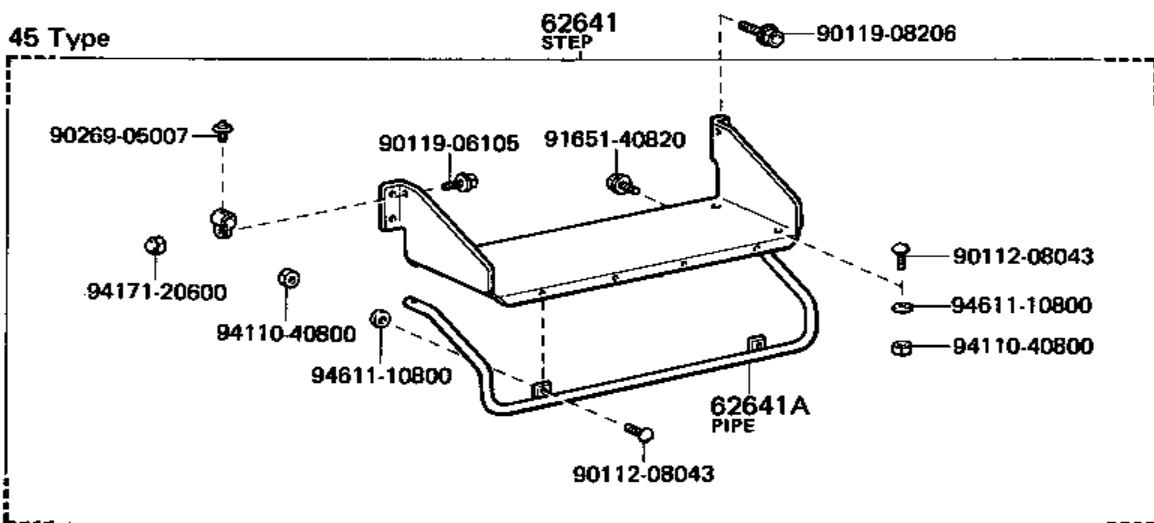


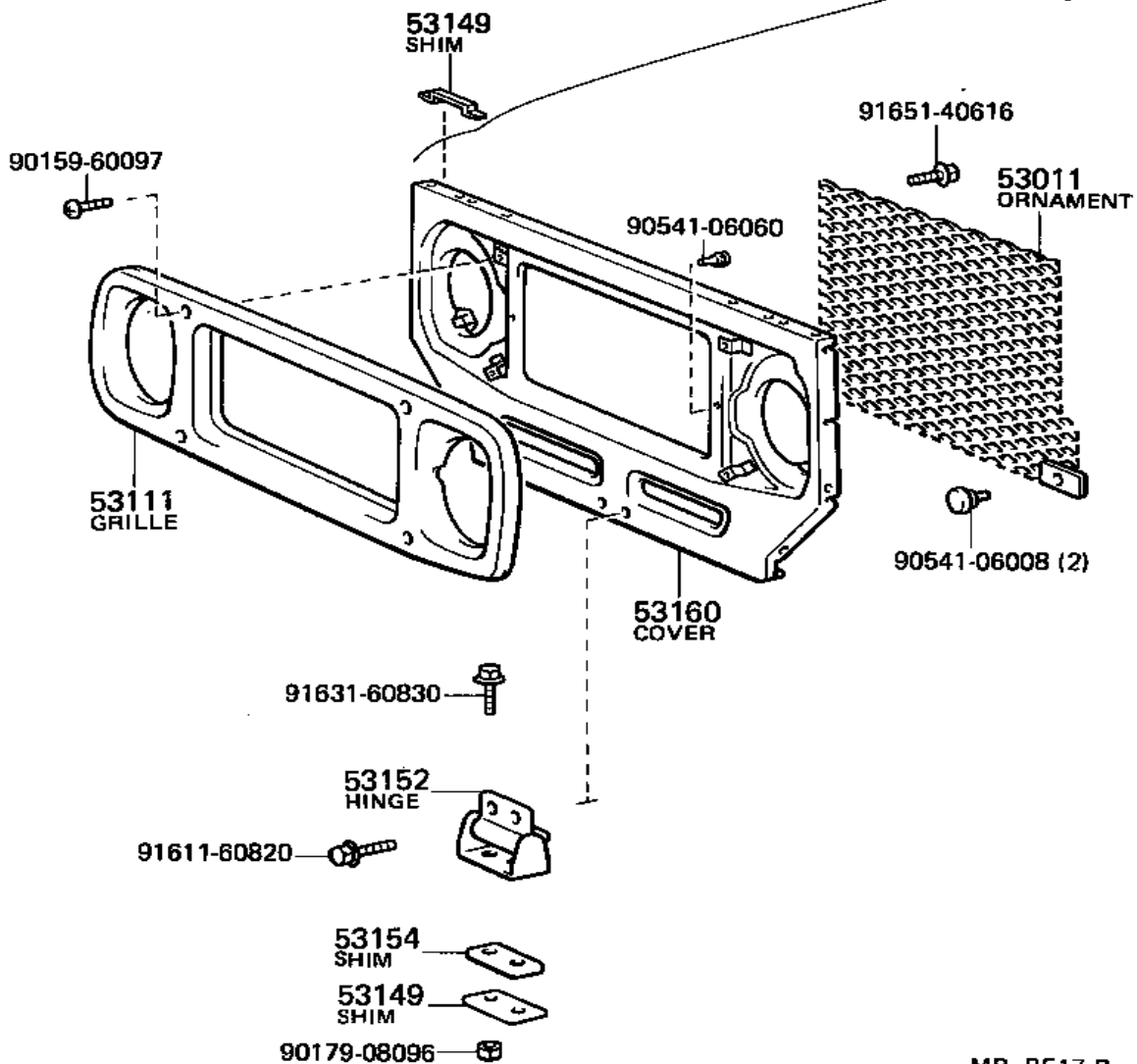
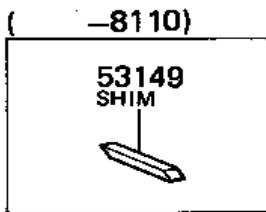
W/Electric Winch



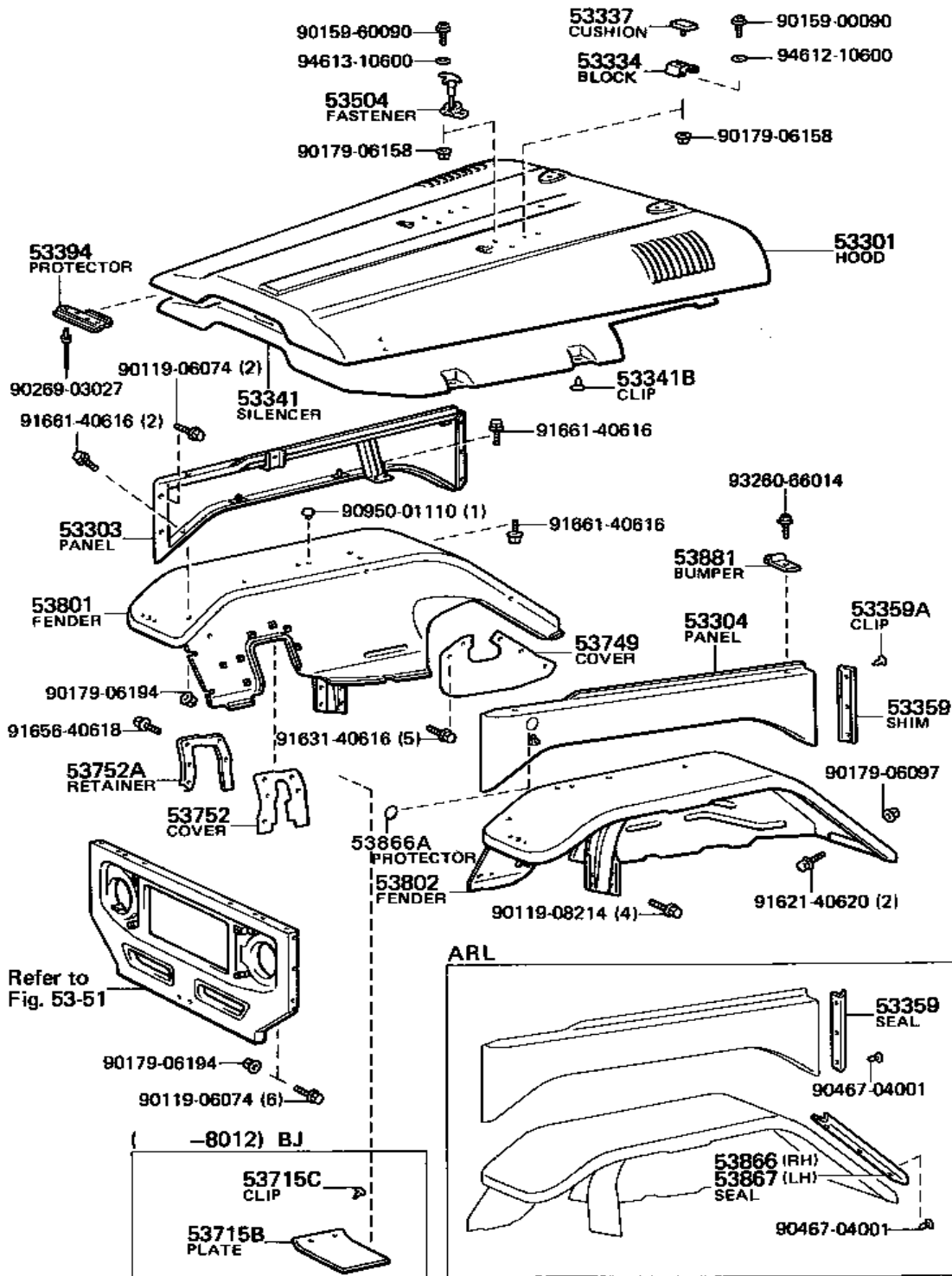


45 Type





MB B517-B



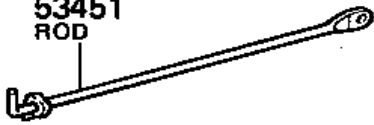
90468-12070



53451A
GROMMET



53451
ROD



53451B
PIN



53410
HINGE



90119-06076



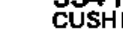
53412
CUSHION



53420
HINGE



53412
CUSHION



53412
HINGE



53550
HOOK



53412
CUSHION



90179-06194



53506
CATCH



(B)

90119-06115



90179-06194

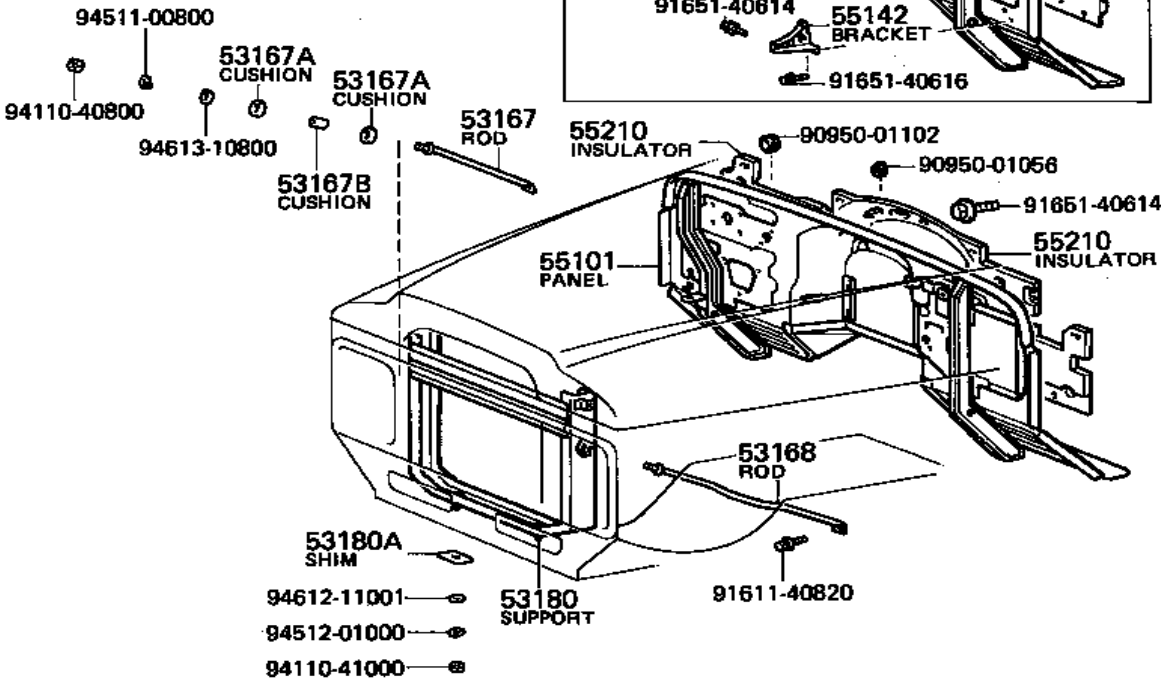
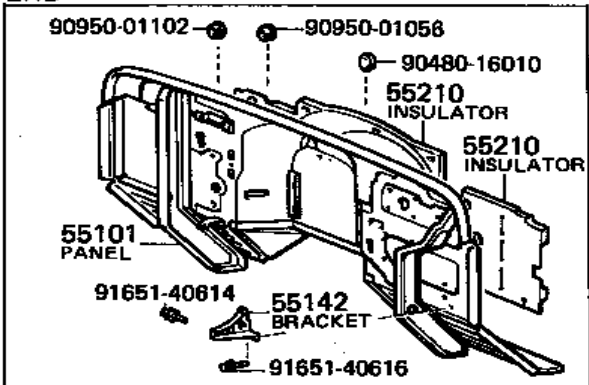


91651-40616

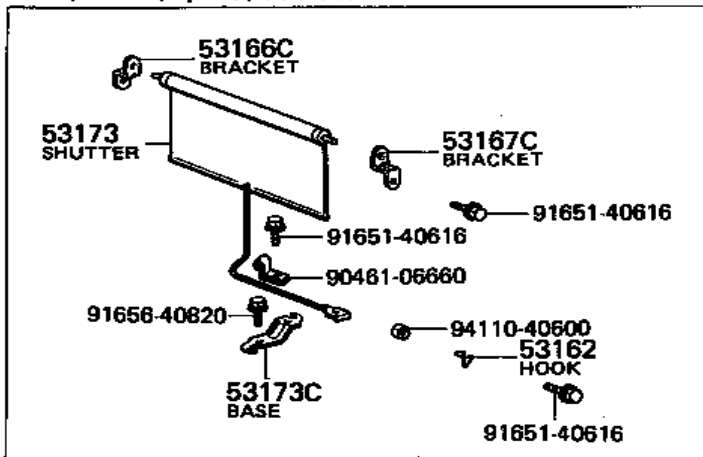


MB D045-A

LHD



BJ42, 45 .. (V, PIC) .. EUR



56457
BRACKET

56469
COVER

91665-40616

93315-16014 (2)
91611-40612 (5)

56313
RAIL

56121
WEATHERSTRIP

56301
FRAME

56111
GLASS

55957A
CLIP

55957
GUIDE

56211
SPACER

90159-80010

56306
HINGE

93520-15016

55781
LOUVER

(-8009)

93520-14012

90183-04058

(8009-8212)

93229-15014

90179-05006

53383A
CLIP

55701
PANEL

90189-05003

56307
HINGE

90159-80010

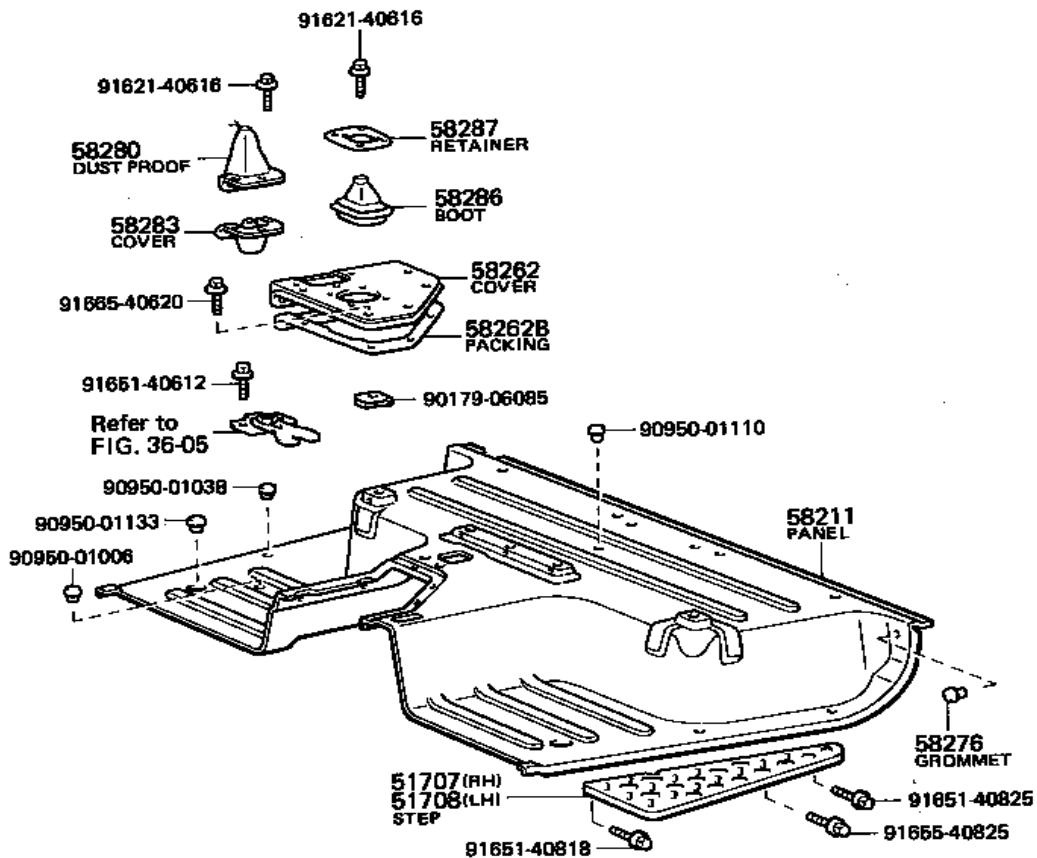
53383
SEAL

55702
PANEL

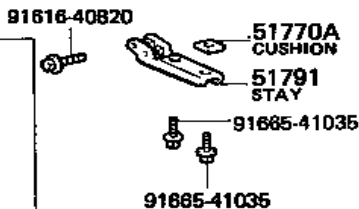
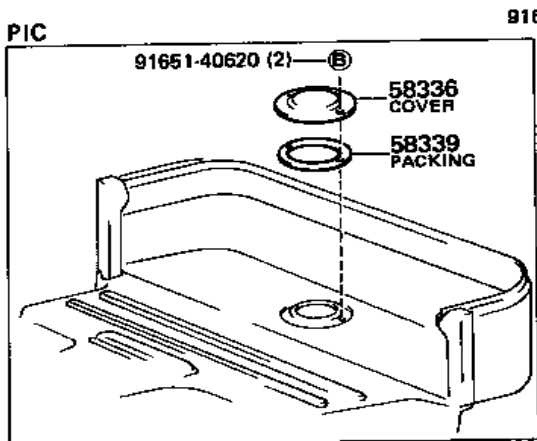
53383
SEAL

53383A
CLIP

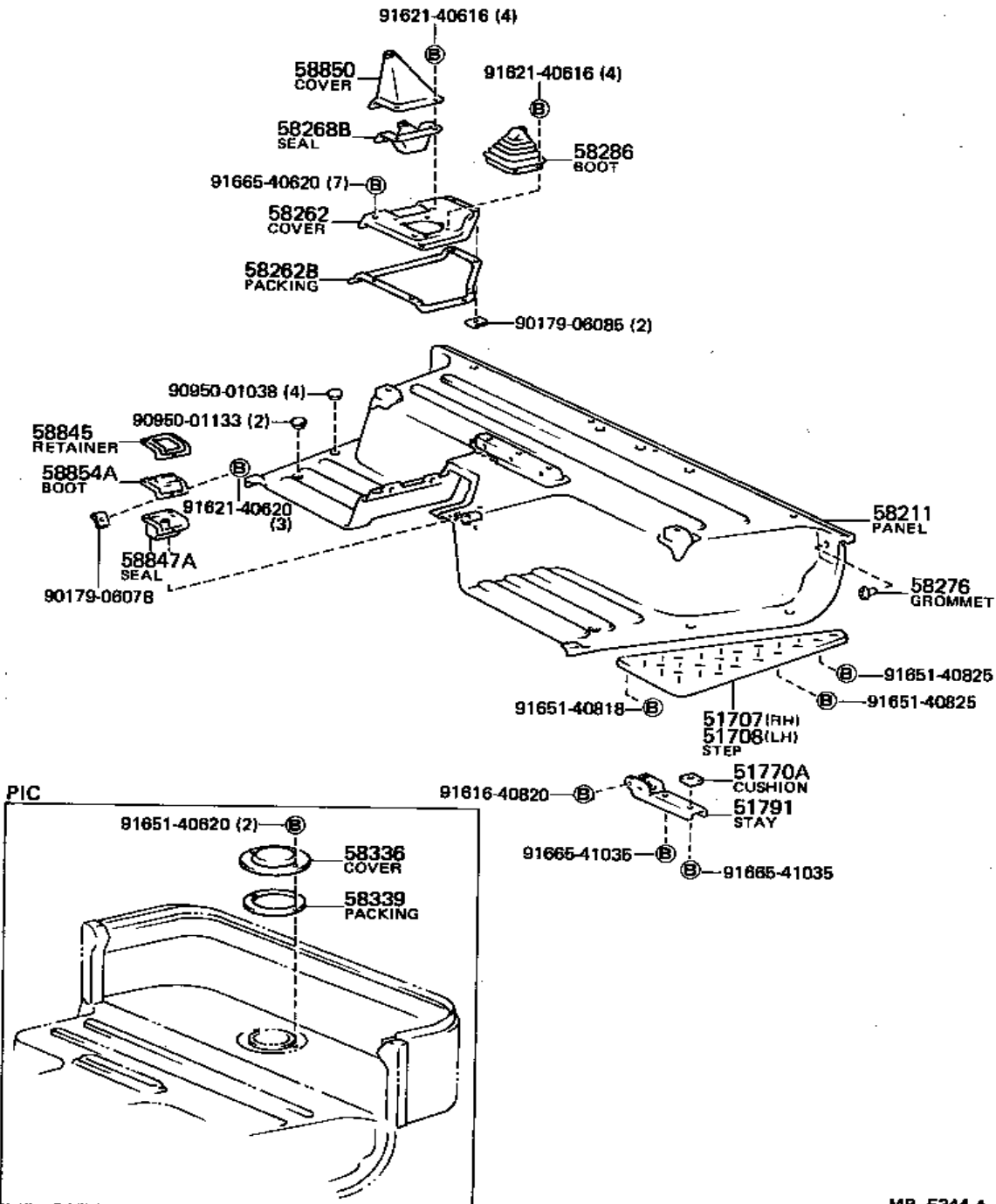
MB B531-F



PIC



MB 8533-B



93330-16020

58809
COVER



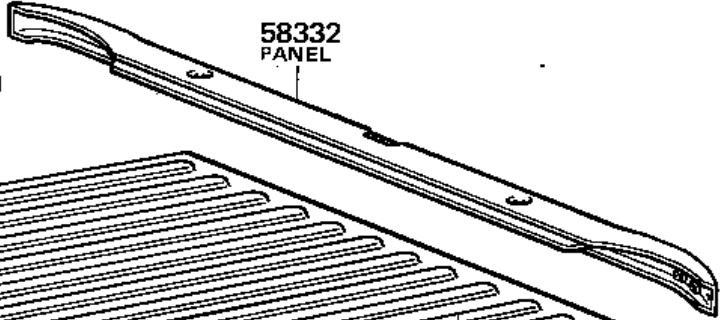
58809A
PACKING



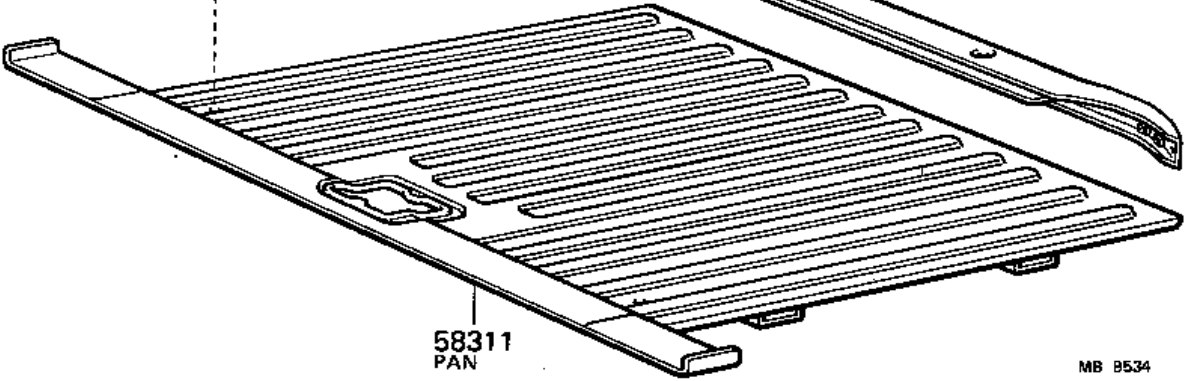
90950-01133



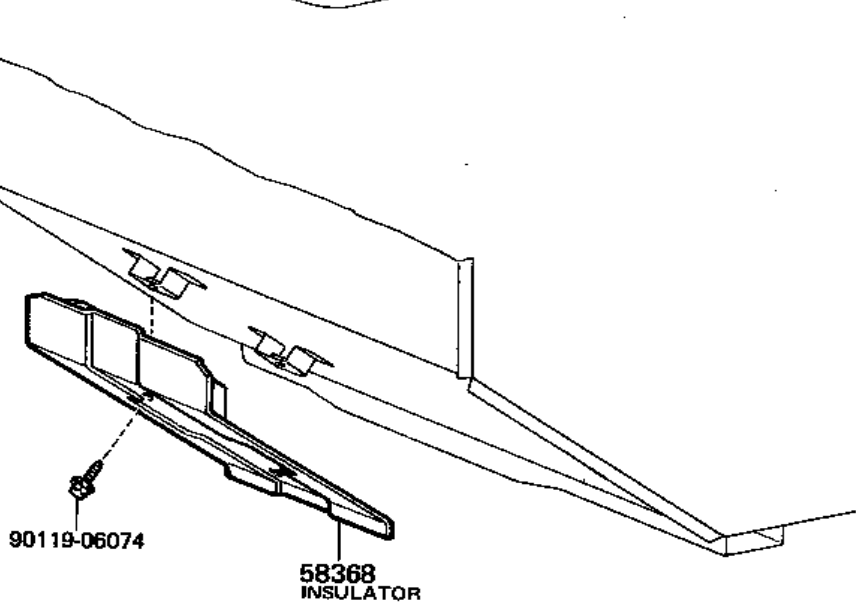
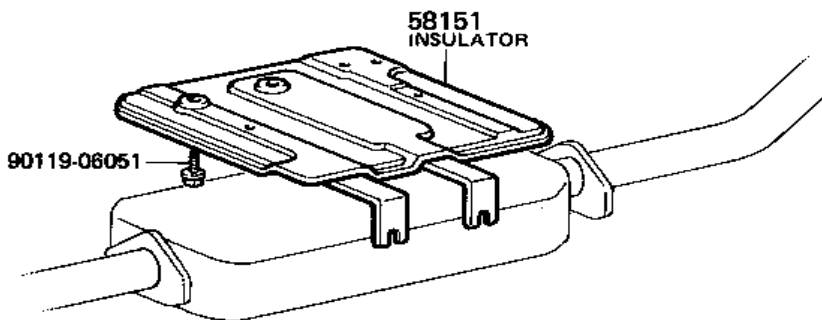
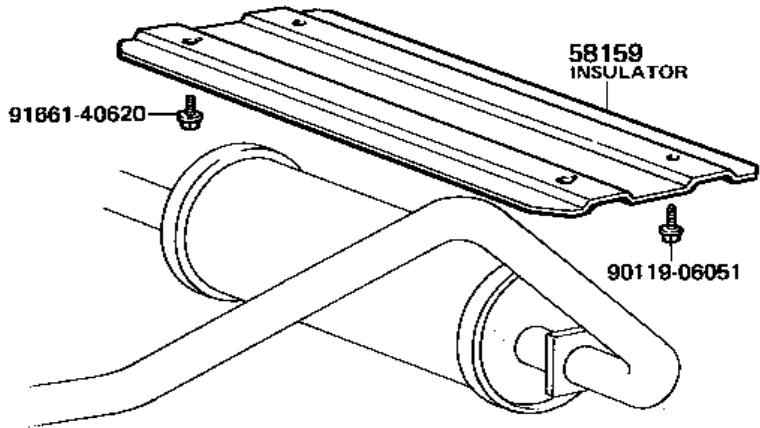
58332
PANEL



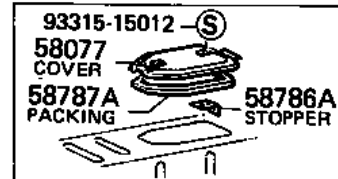
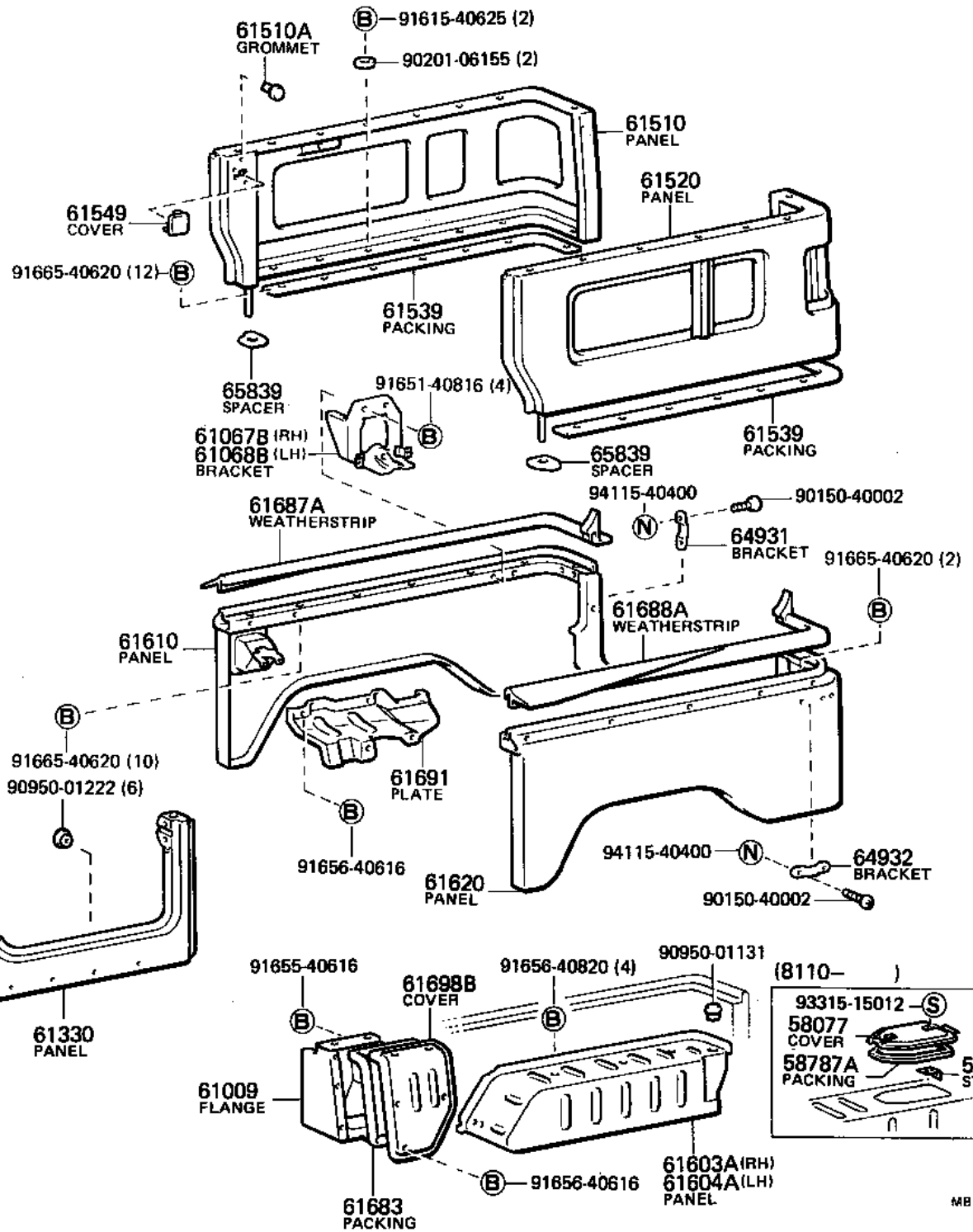
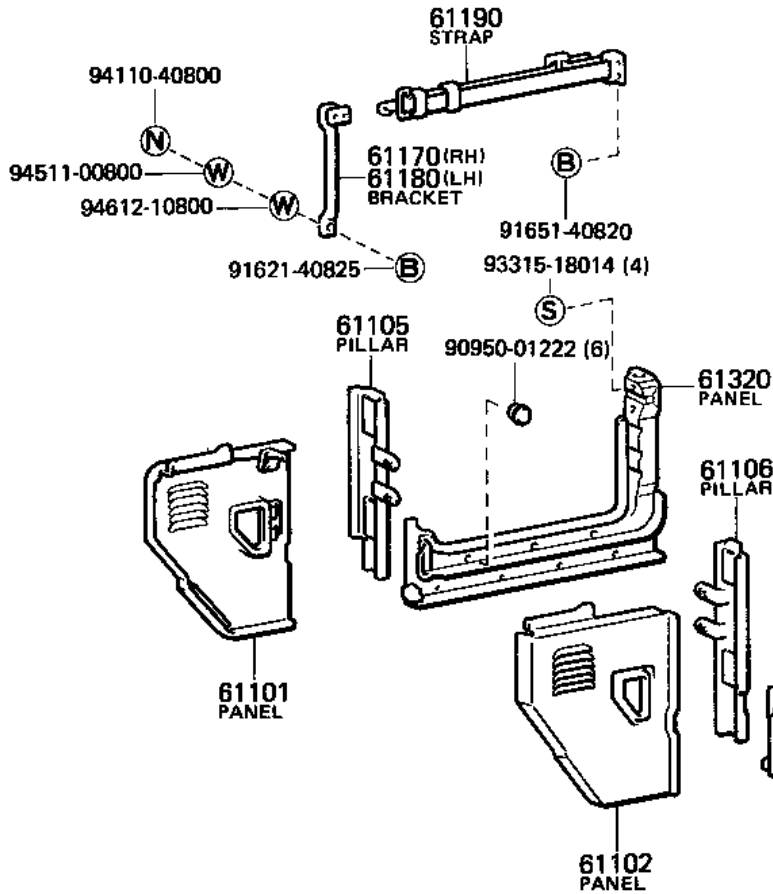
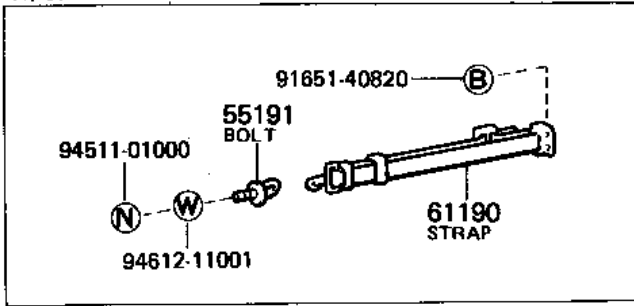
58311
PAN

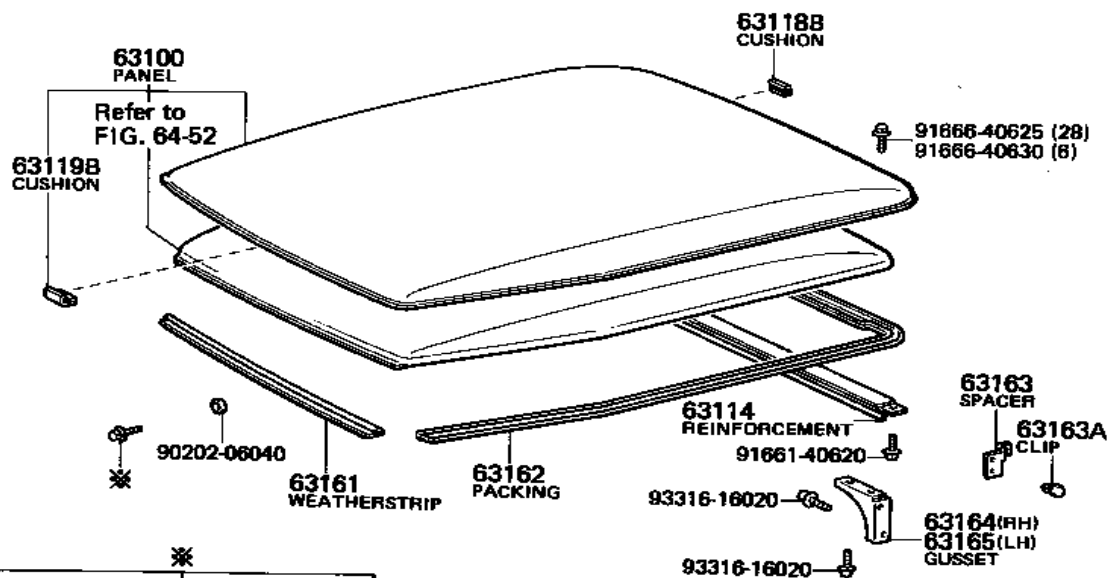
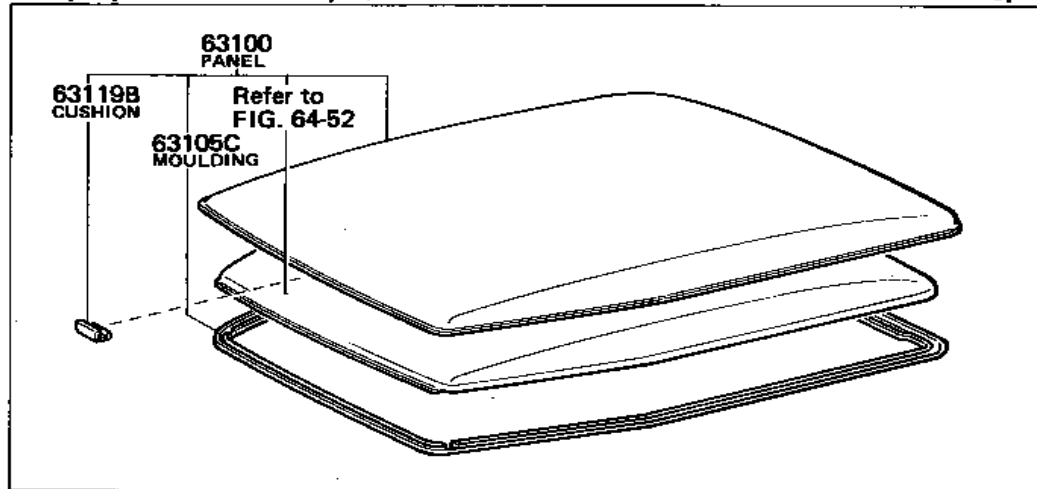


MB 8534



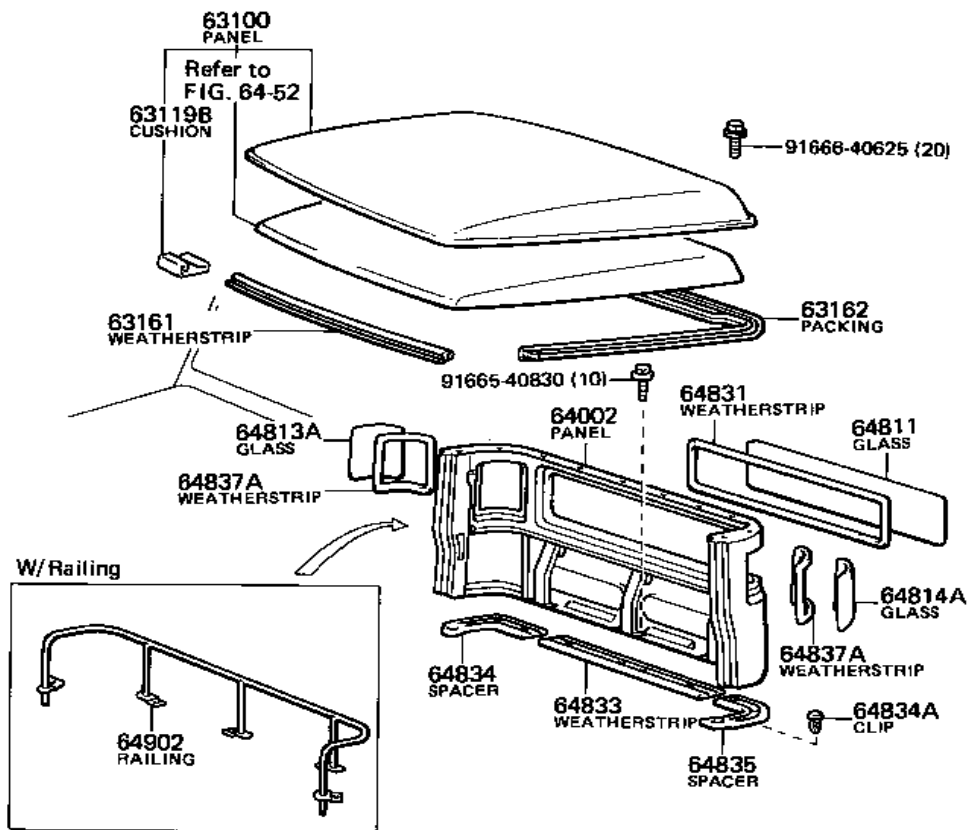
W/Canvas Door



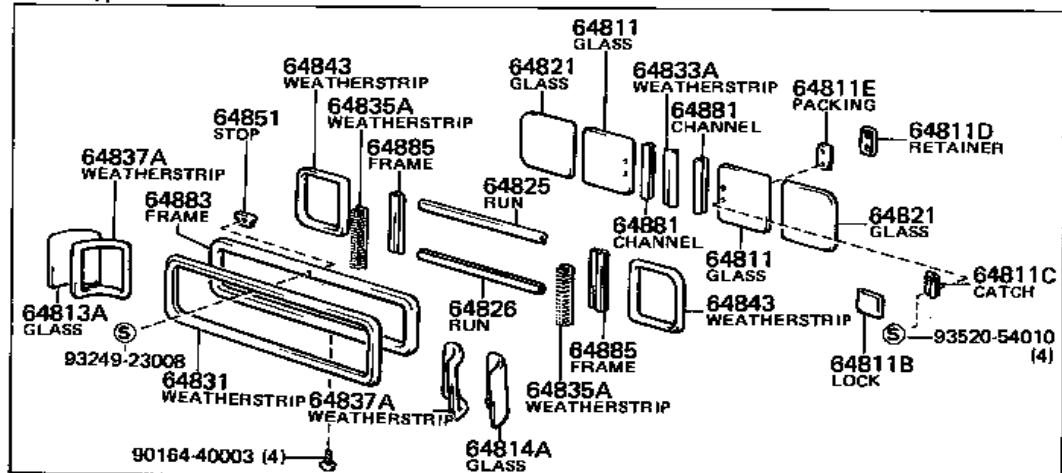


※

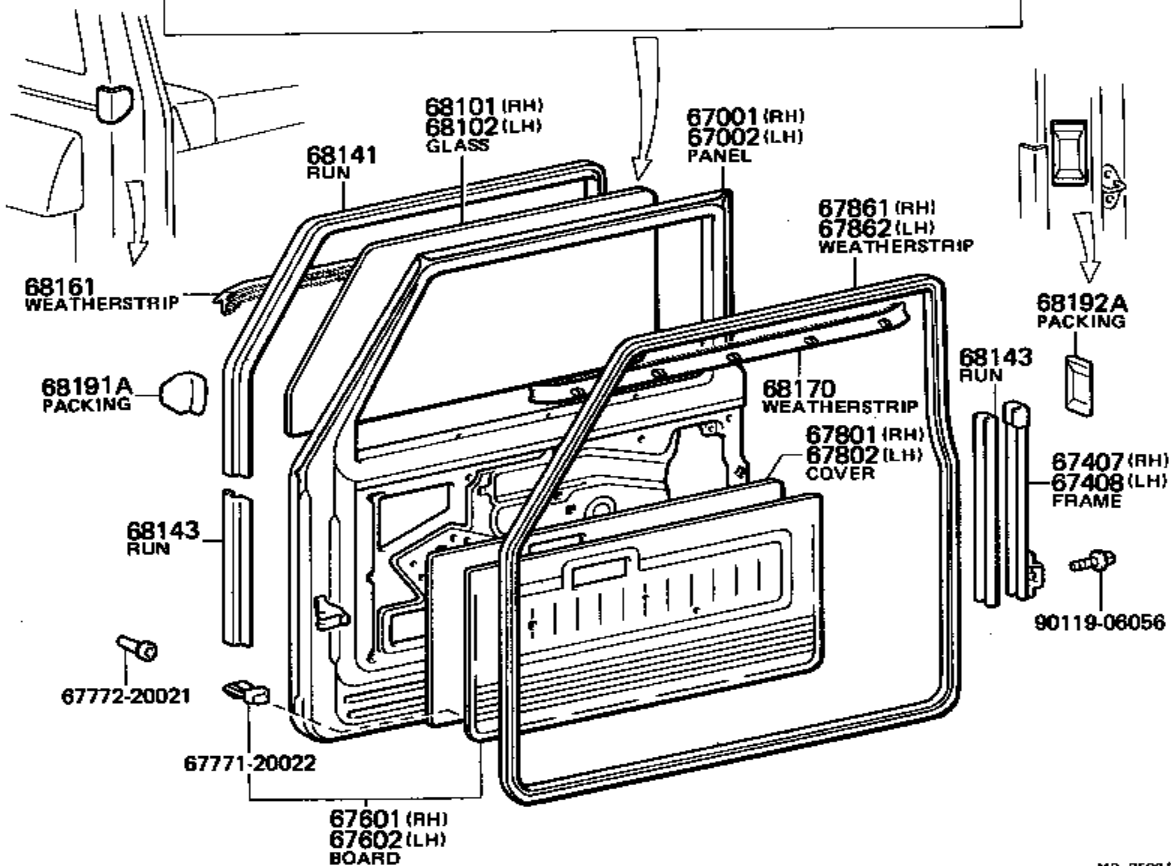
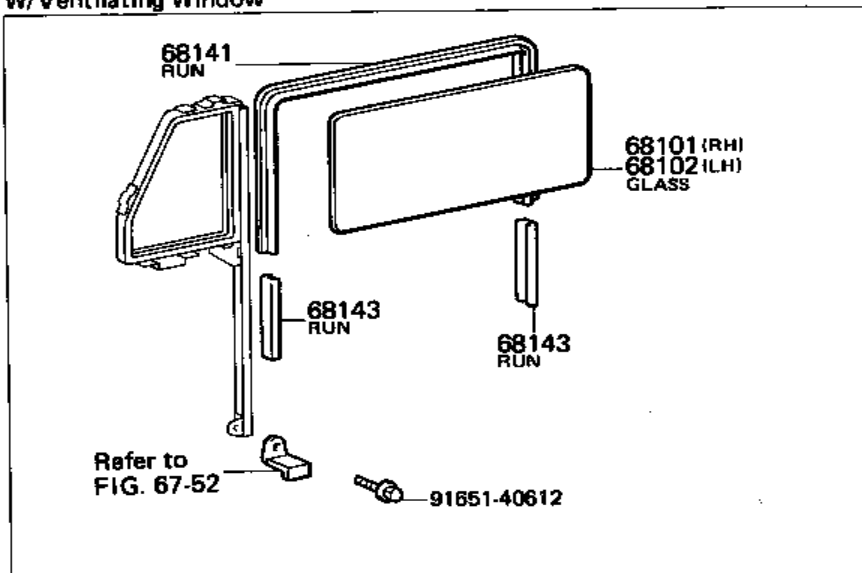
90119-06086 (2)	90119-06135 (2)
L = 16	L = 20



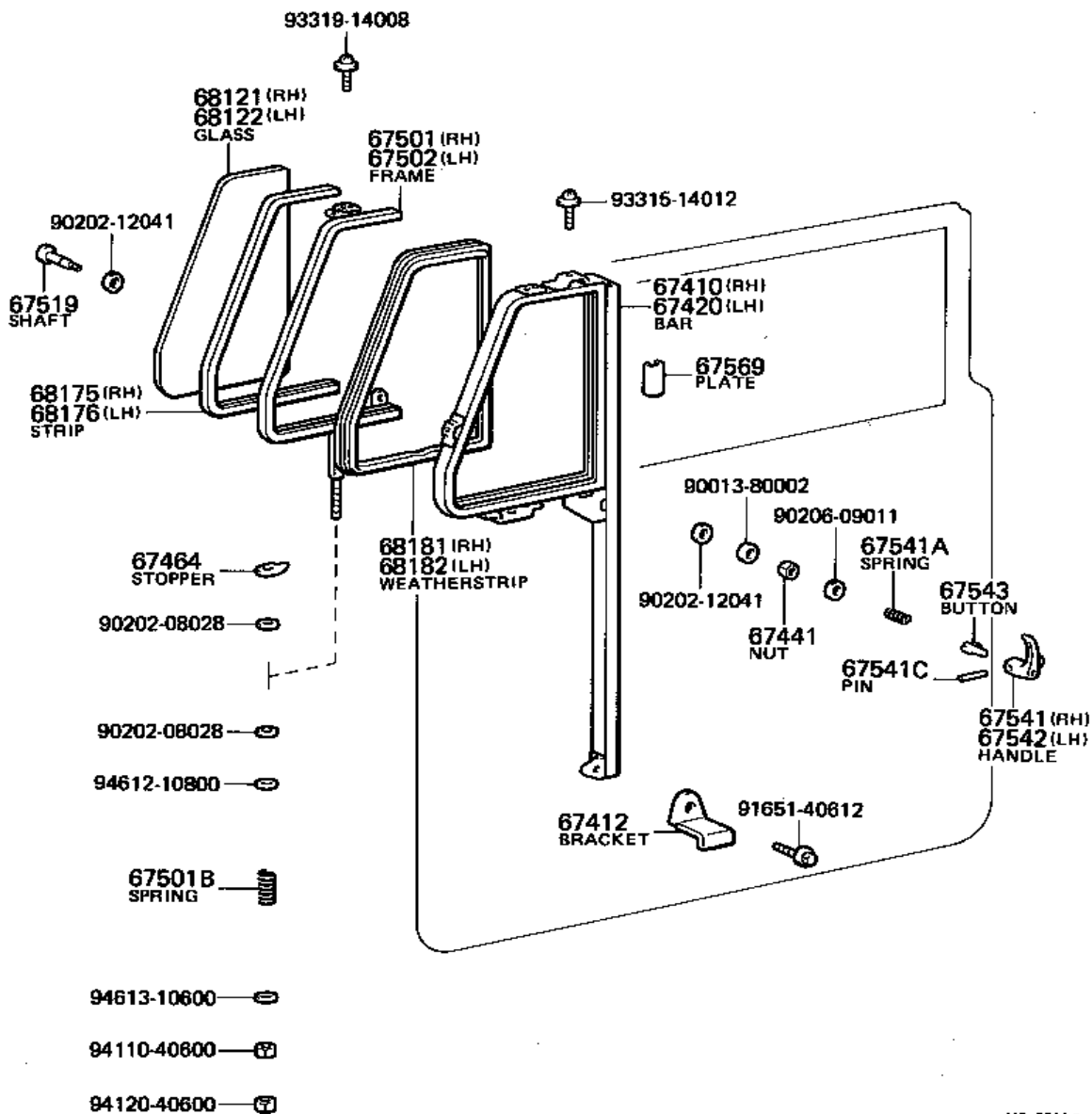
Slide Type

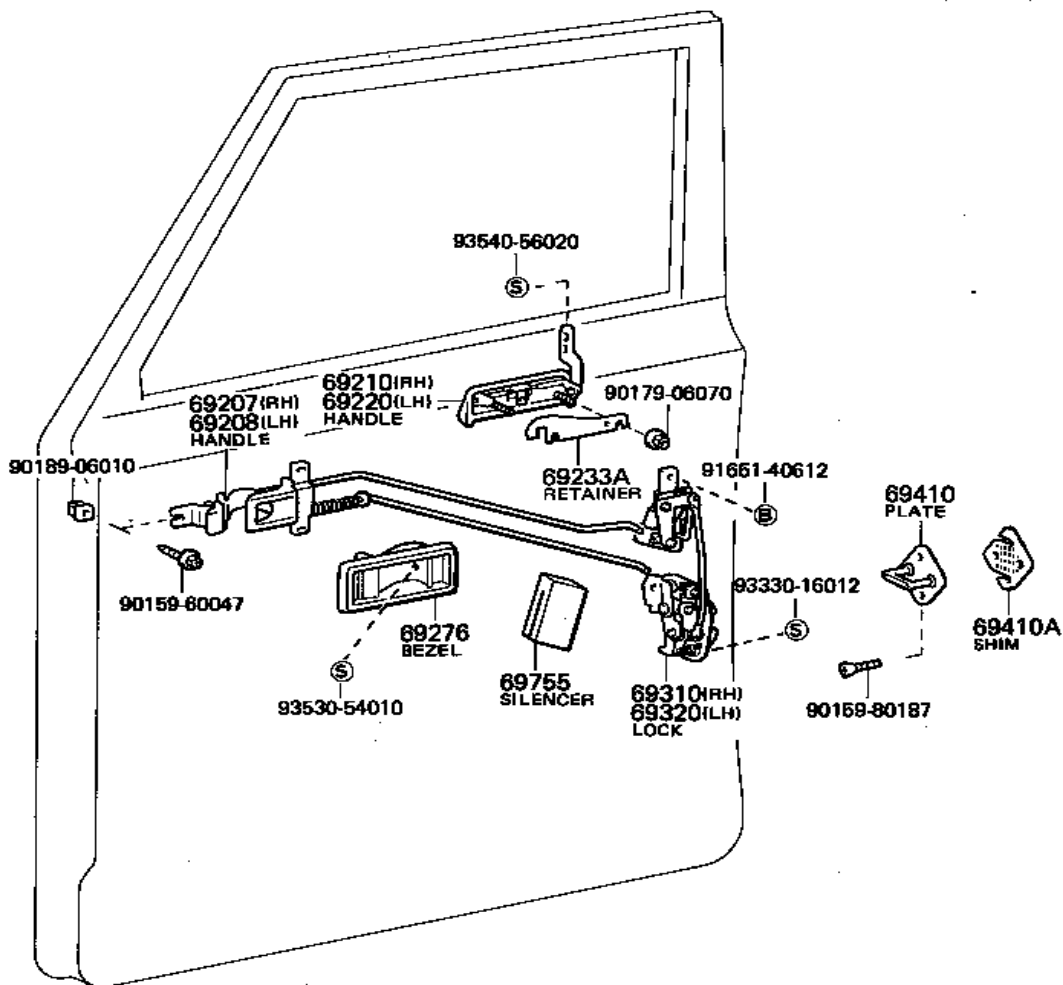


W/Ventilating Window

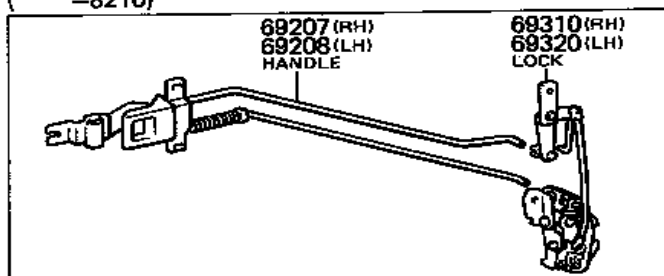


W/Steel Door



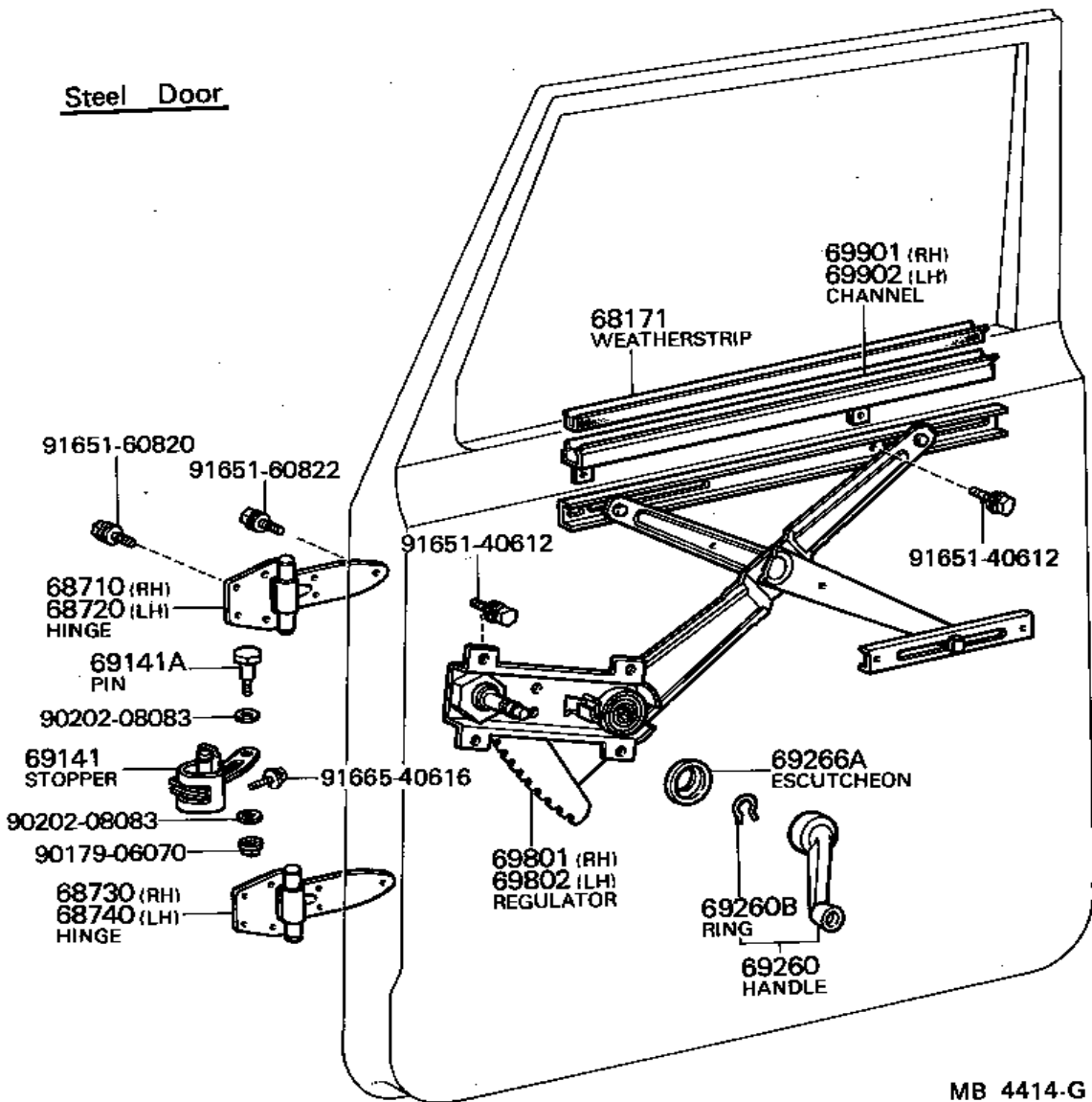


{ -8210 }



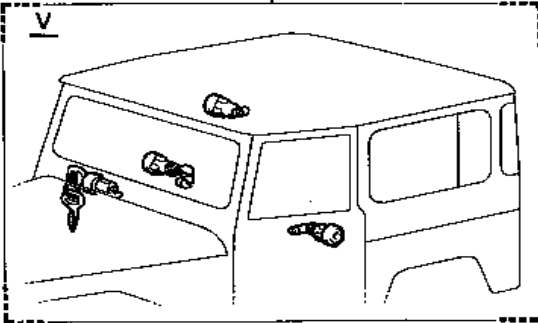
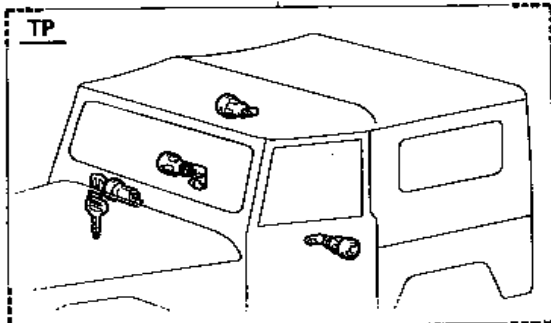
MB B566-B

Steel Door



**69503
CYLINDER SET**

**69503
CYLINDER SET**

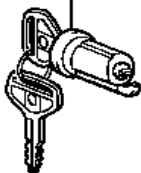


①

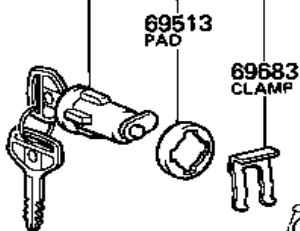
②

③

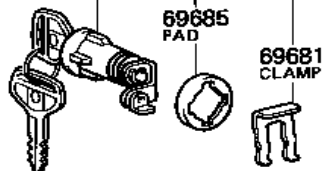
**69064
CYLINDER & KEY**



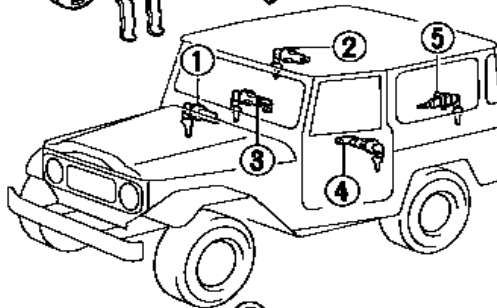
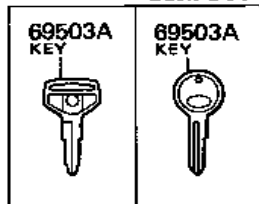
**69053
CYLINDER & KEY**



**69051
CYLINDER & KEY**

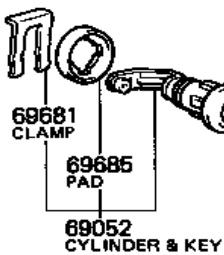


Back Door

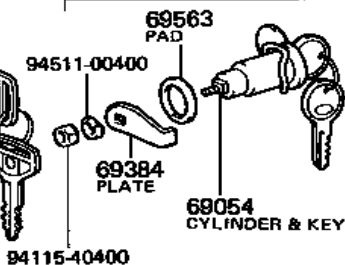


④

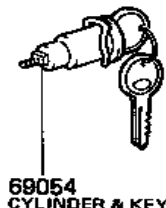
⑤



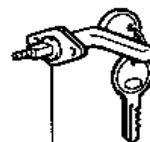
VLS



VKC

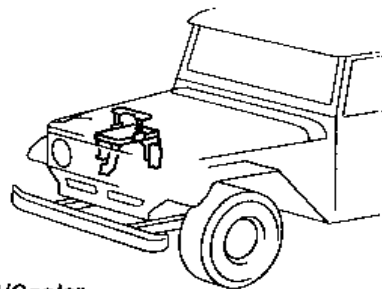
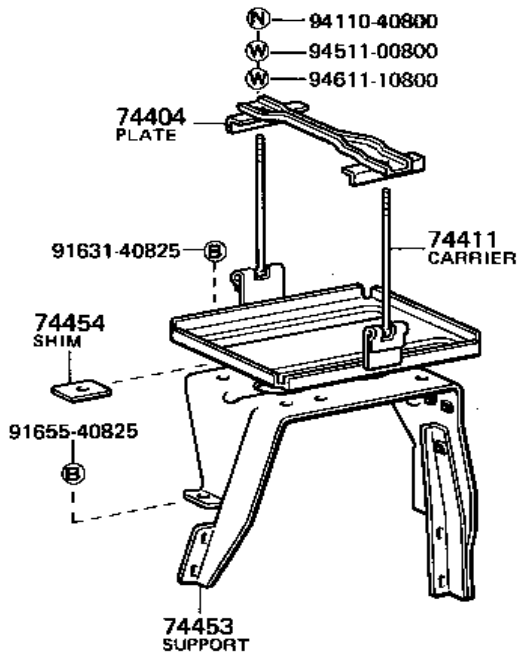


TPC

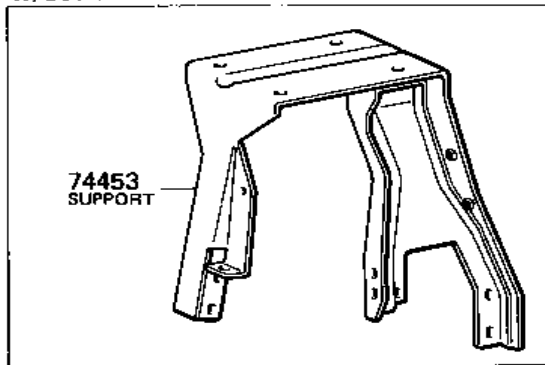


Refer to
FIG. 67-62

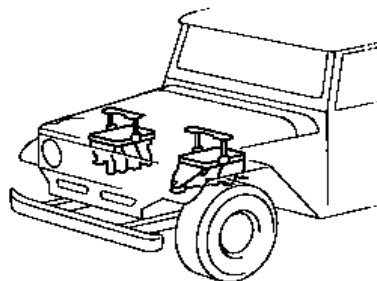
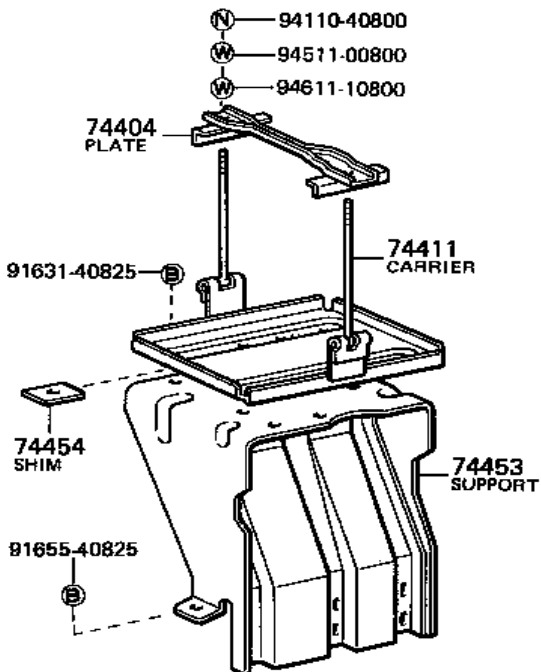
HJ47, FJ4#



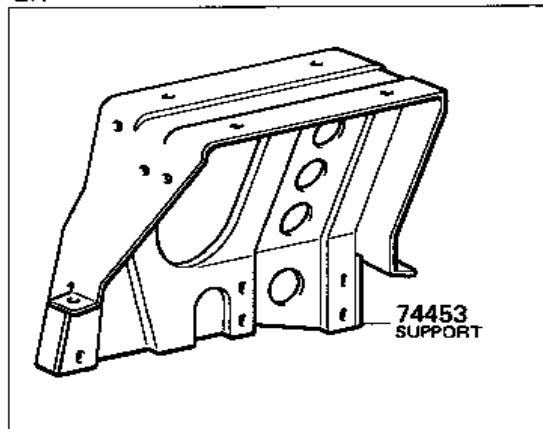
W/Cooler

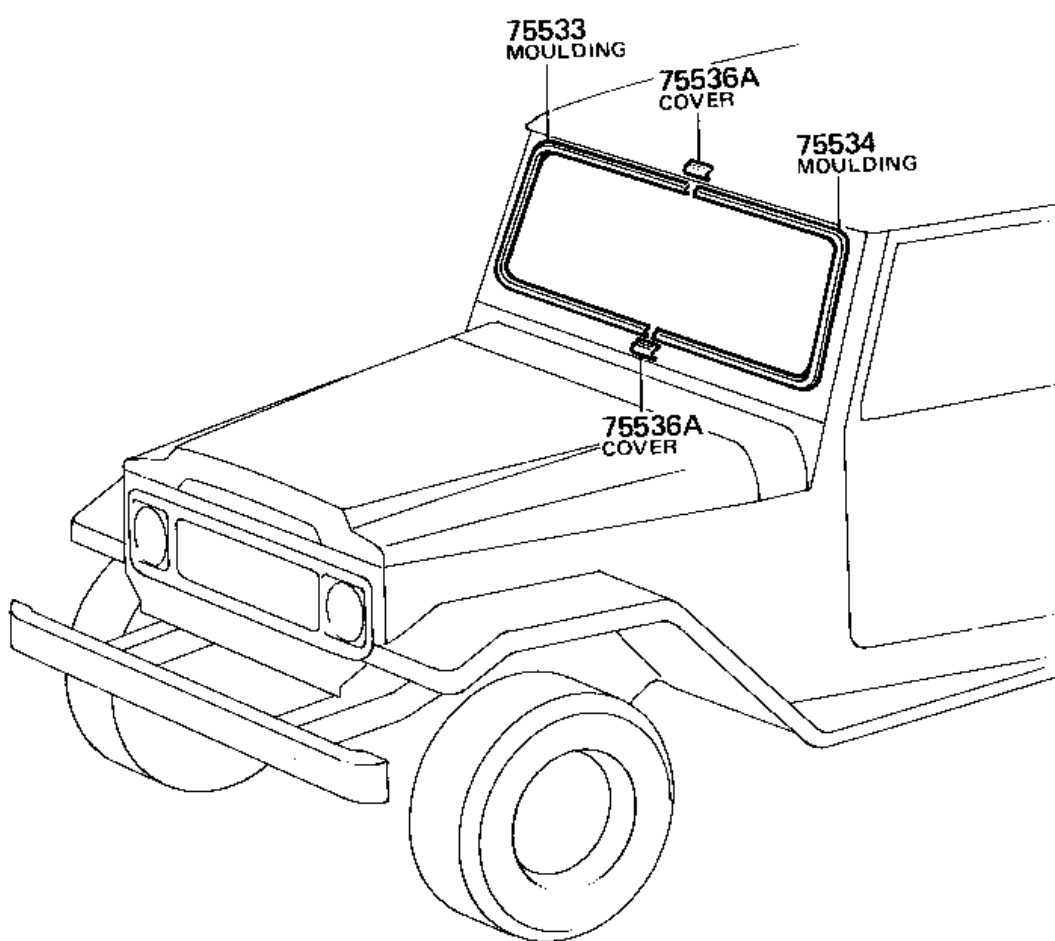


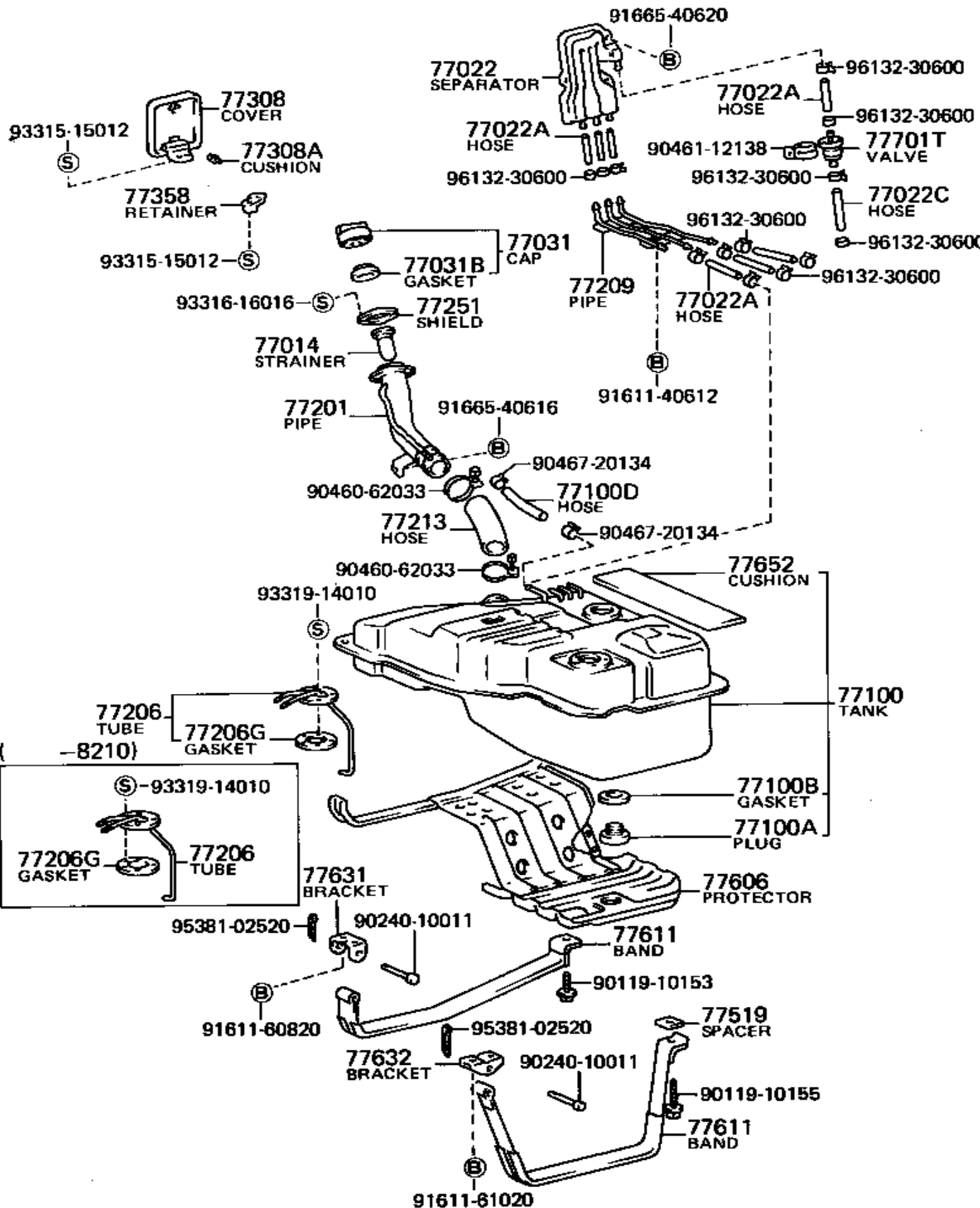
BJ4#



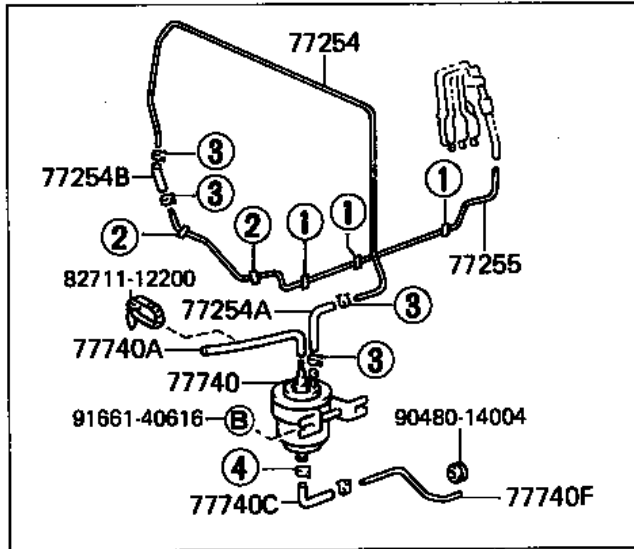
LH



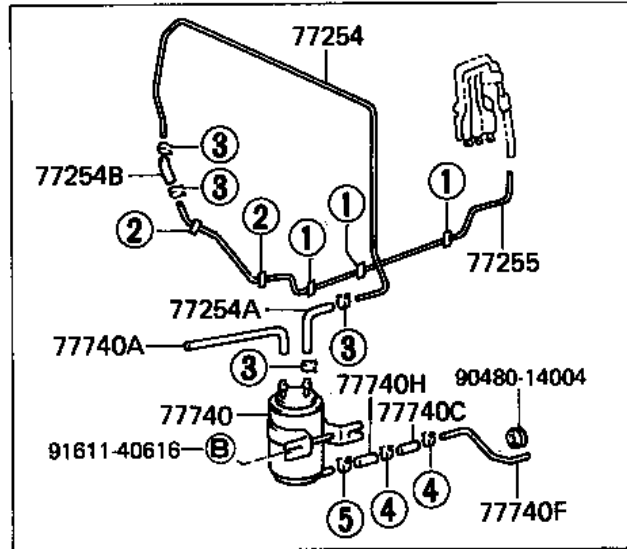




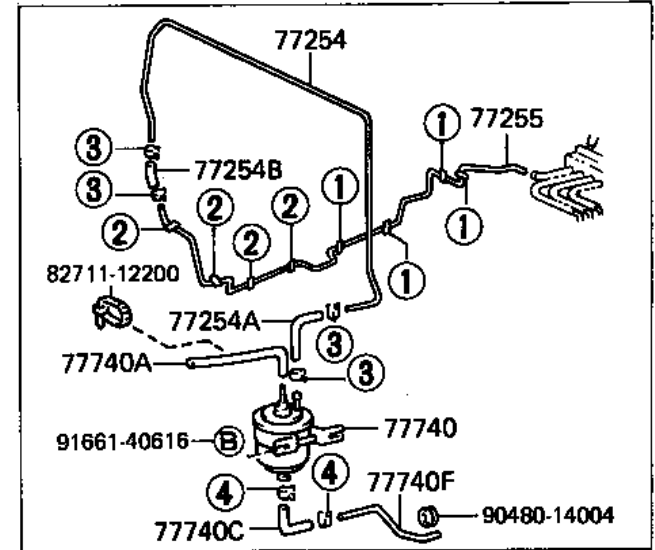
FJ40, 45 . . (V, TP) . . ARL



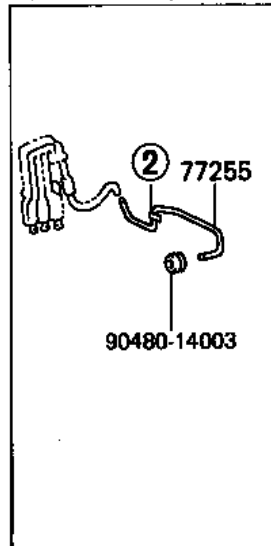
FJ40 . . ARL (N. S. W.) (VICTORIA)



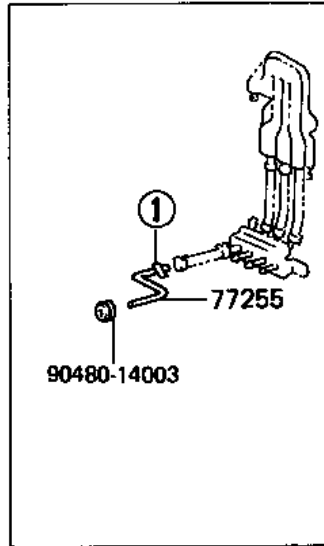
FJ45 . . PIC . . ARL



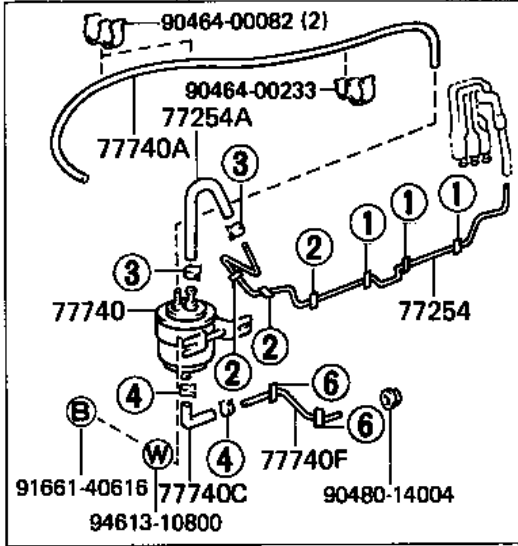
V, TP . . EUR, GEN



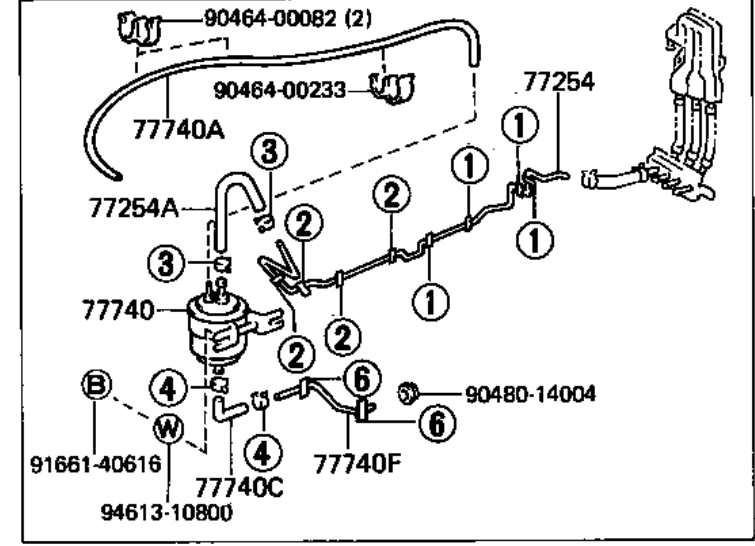
PIC . . EUR, GEN



V, TP . . SAA (8401-)



PIC . . SAA (8401-)



①



91611-40612

②

91611-40612



96221-20706

③

96132-30600



④

96132-30800



⑤

90467-12058

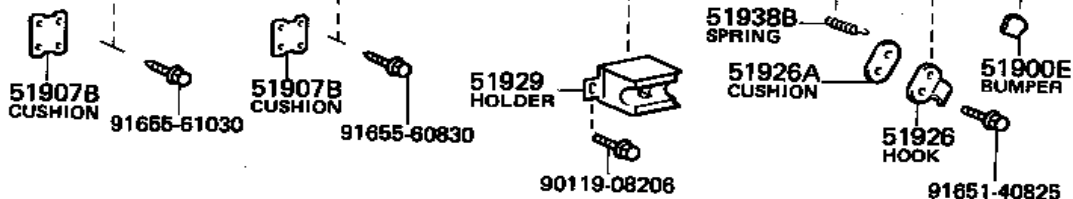
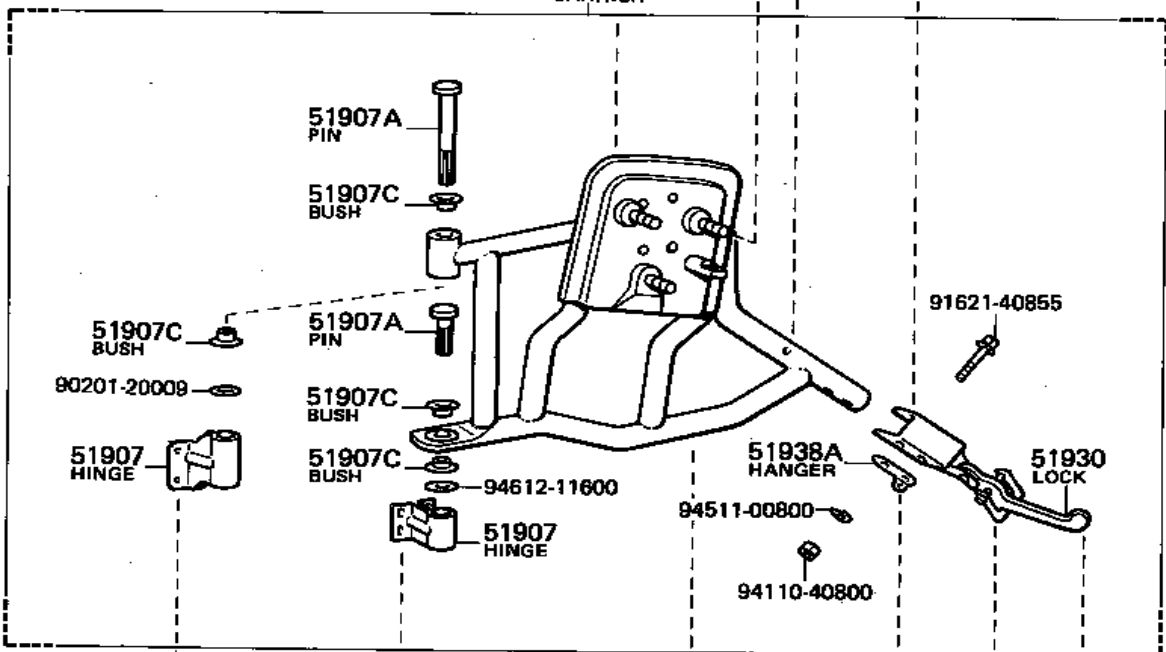
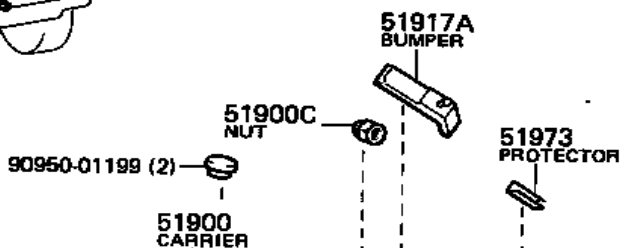
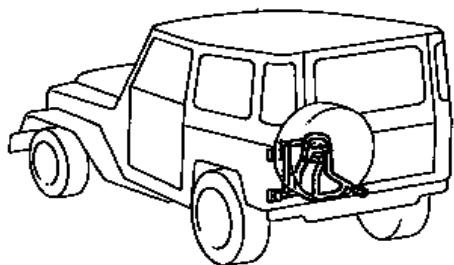


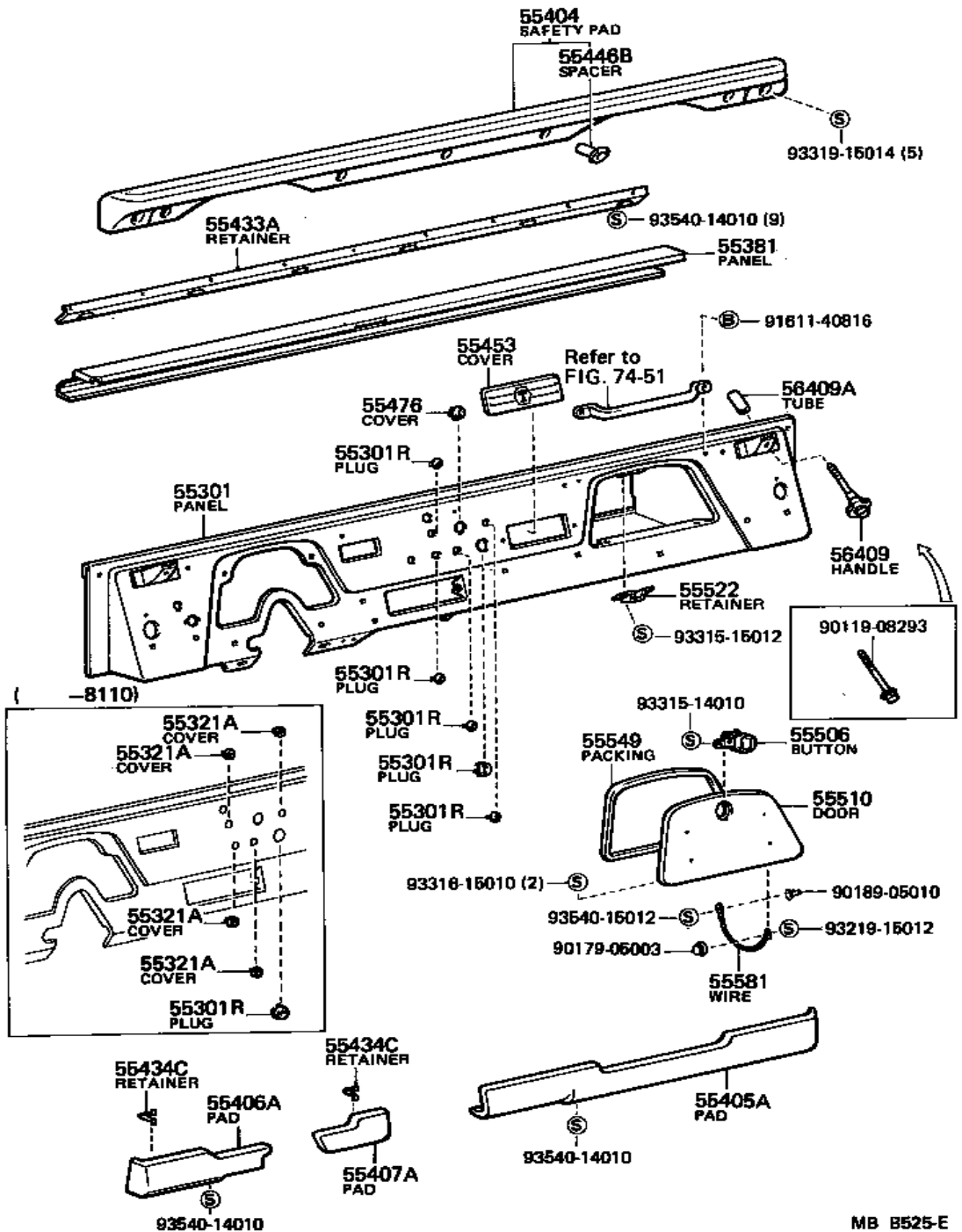
⑥

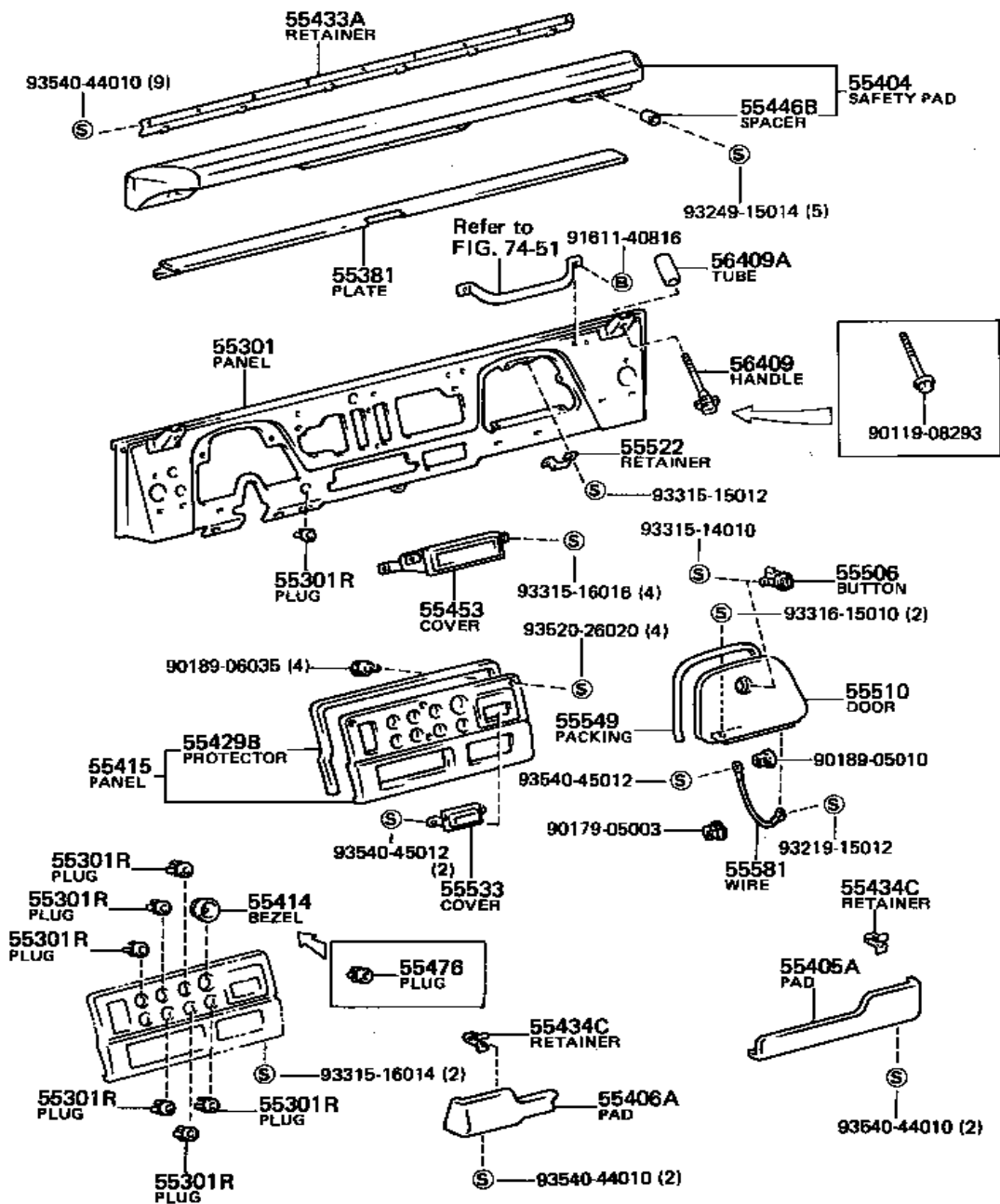
91611-40616

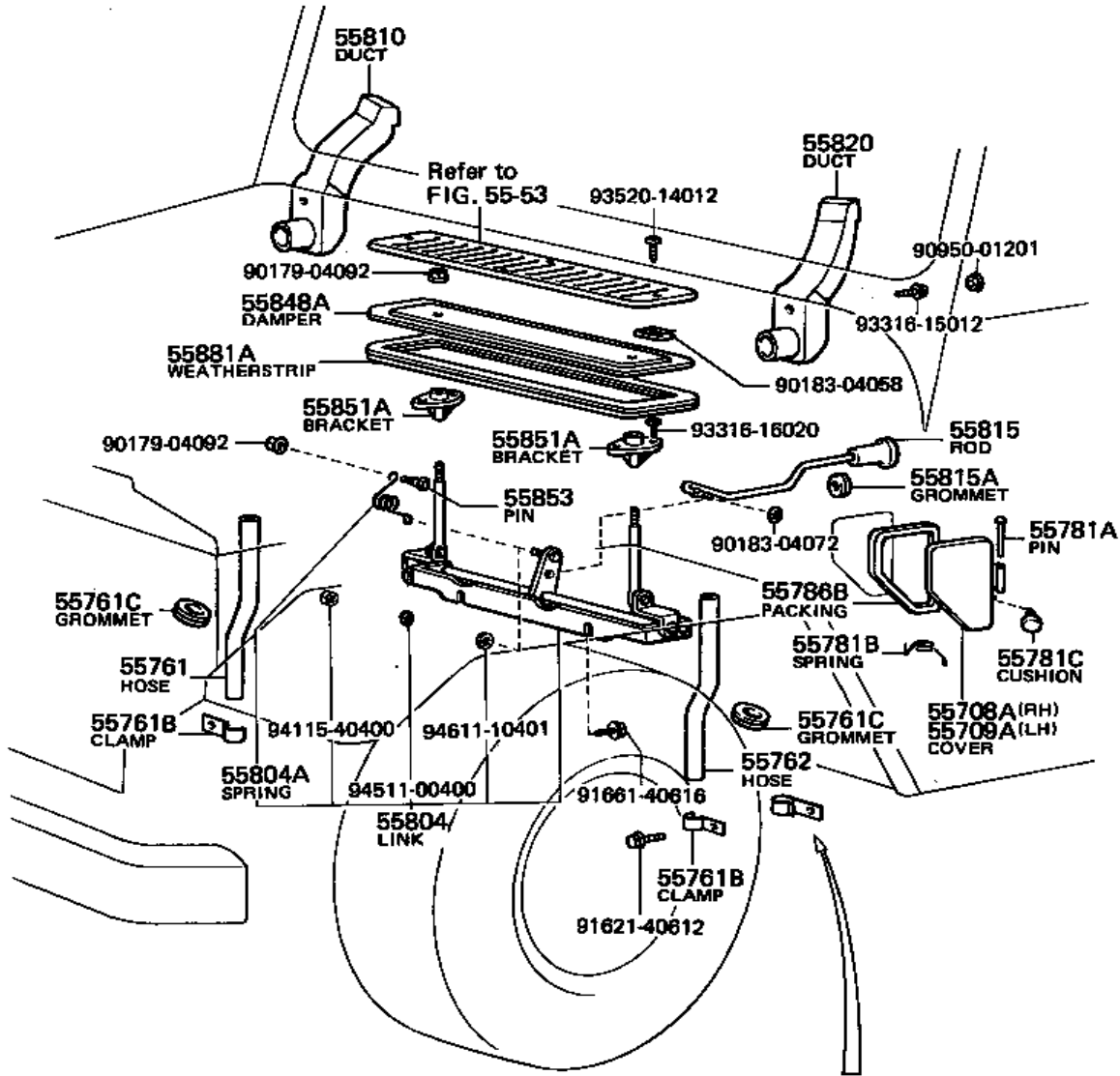


96221-10908

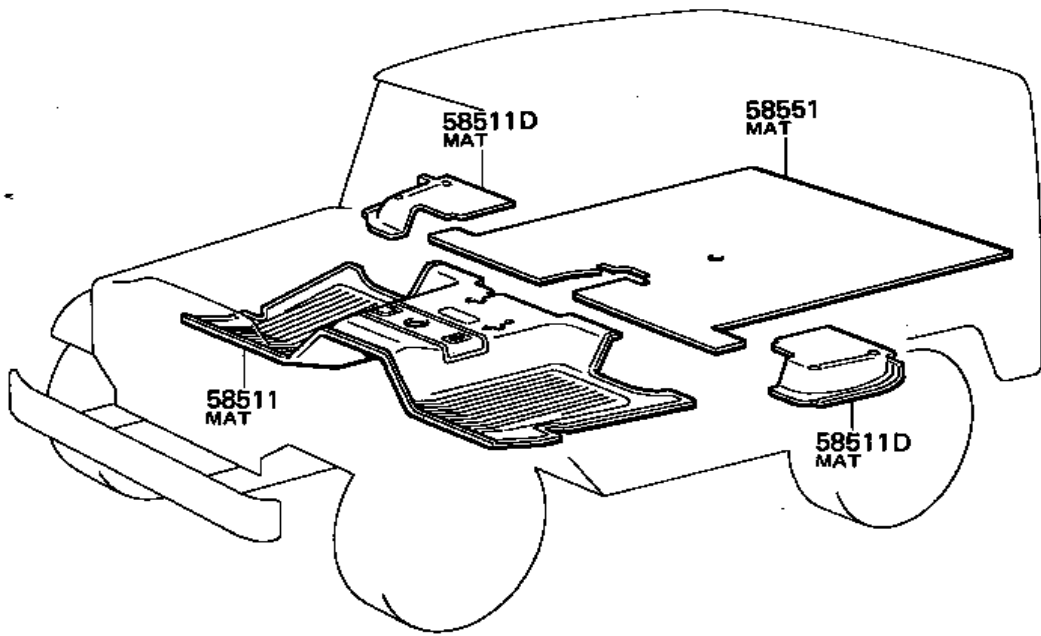




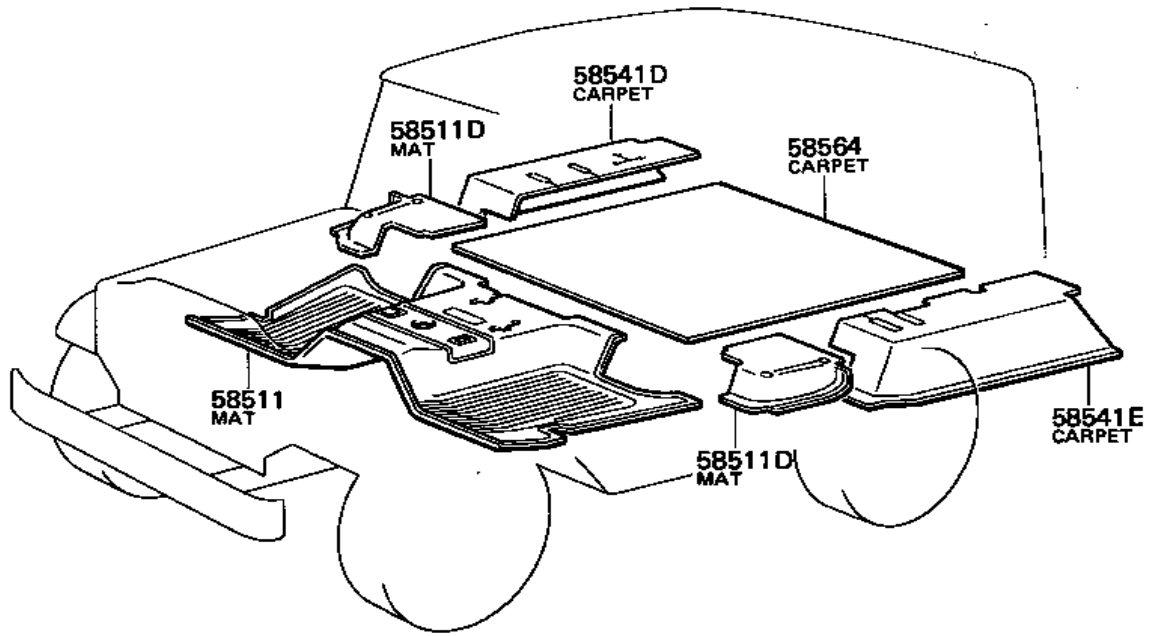




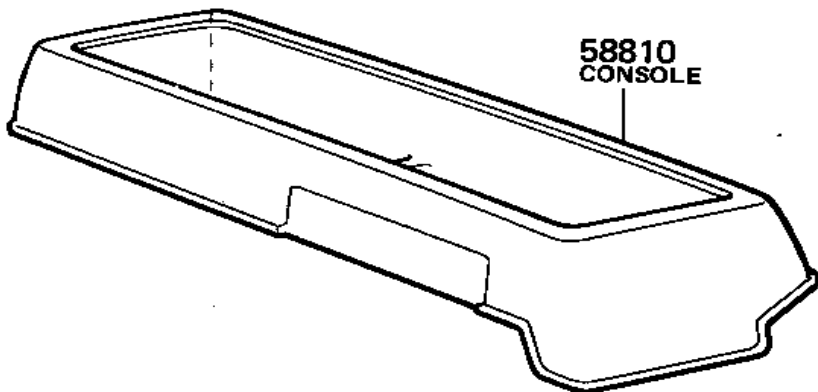
FJ 4#	BJ4#, HJ47
55761A CLAMP	55761A CLAMP



(8110—) W/Rear Carpet

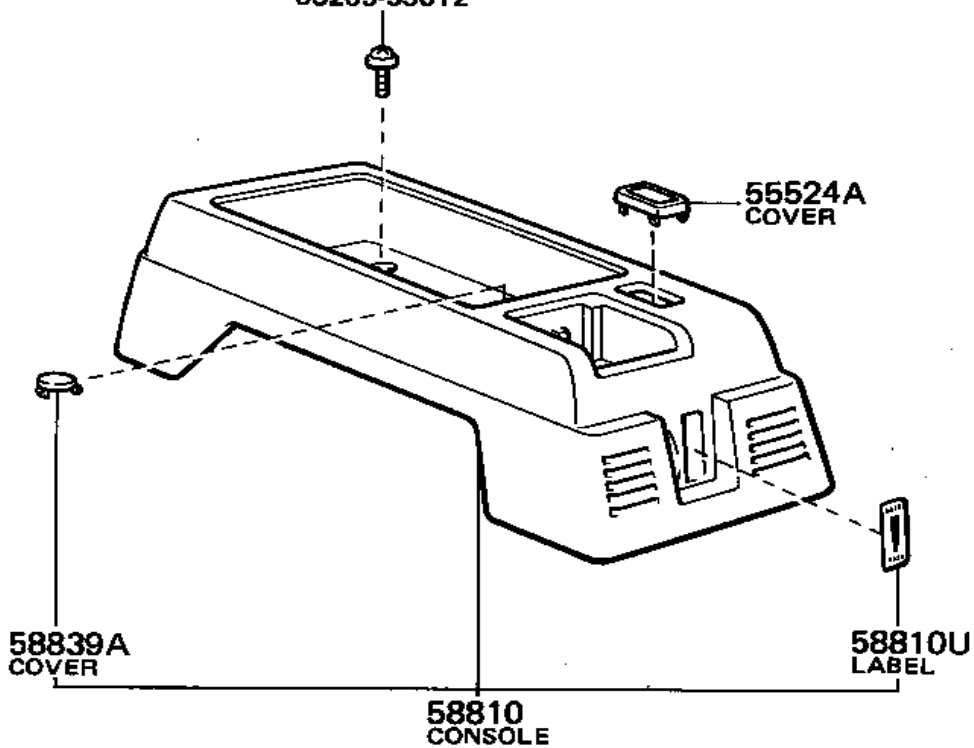


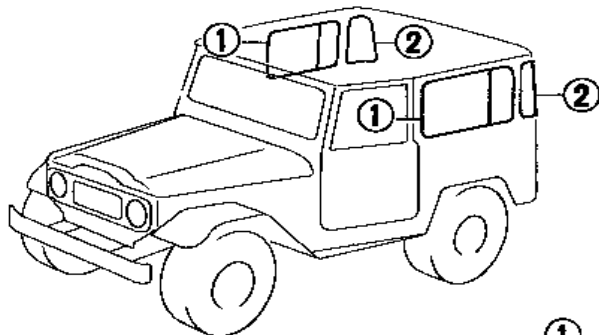
93269-55012



W/Rear Heater

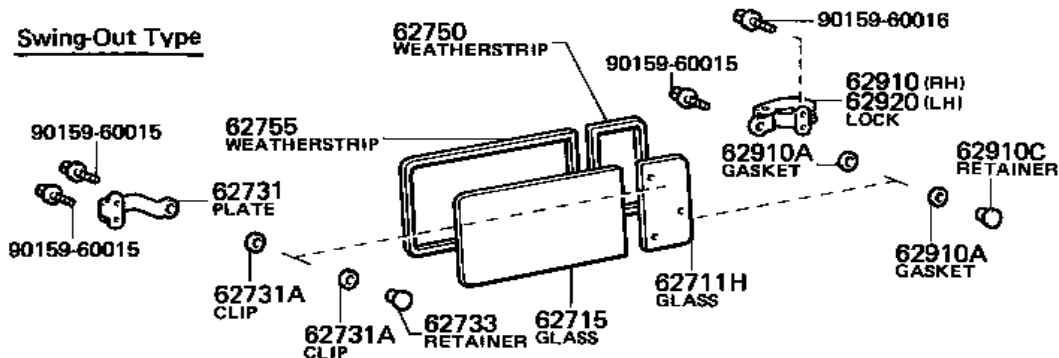
93269-55012



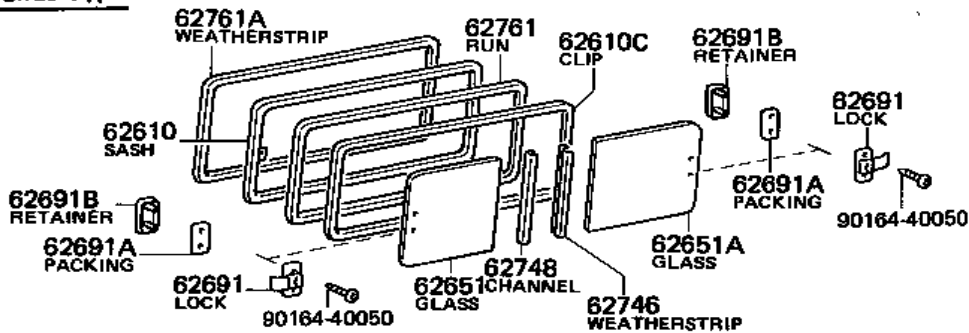


①

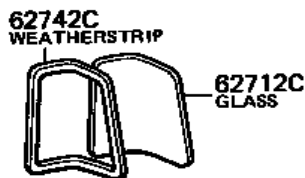
Swing-Out Type



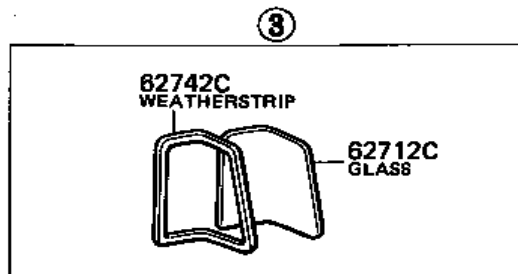
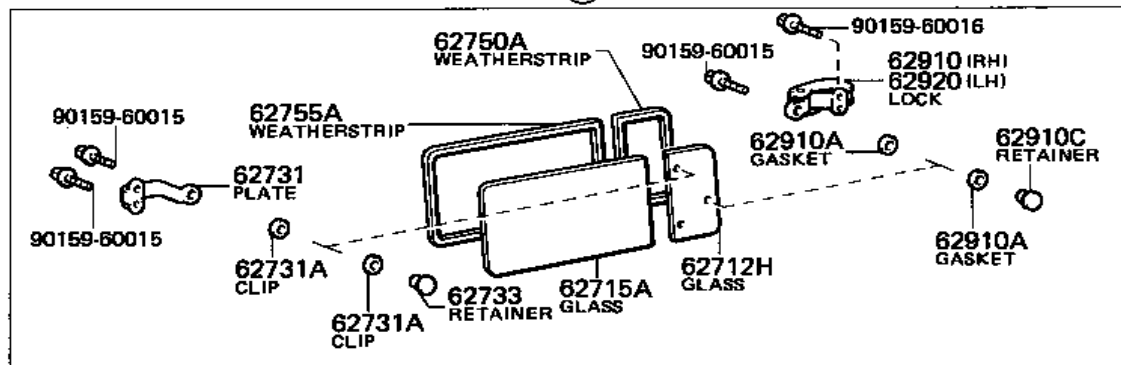
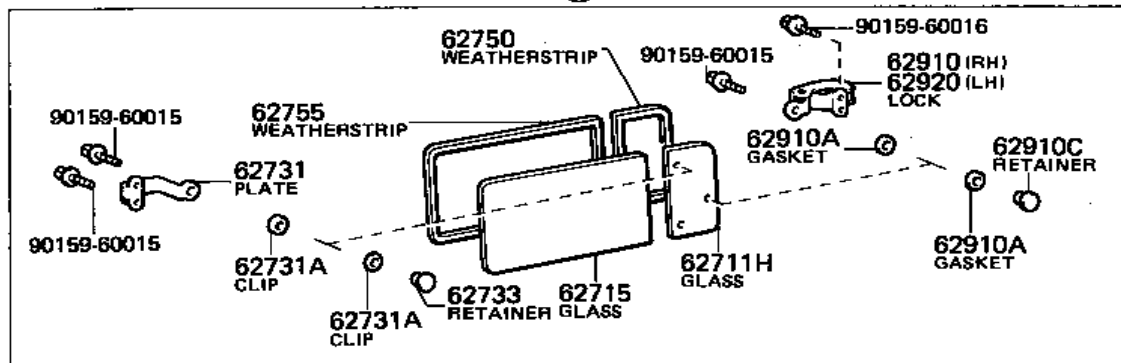
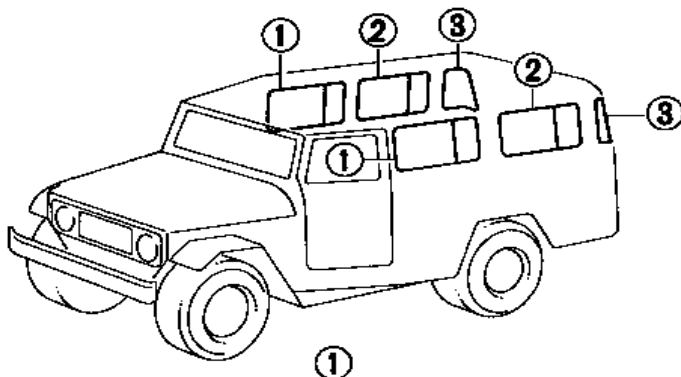
Slide Type



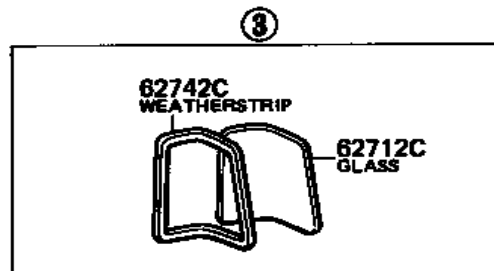
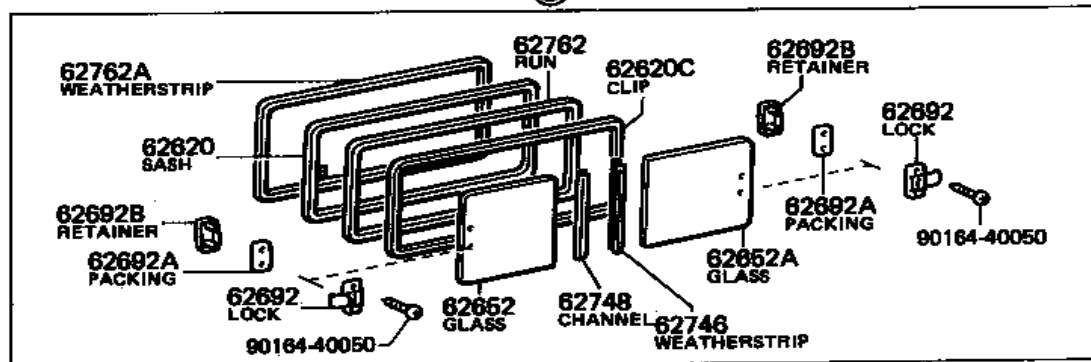
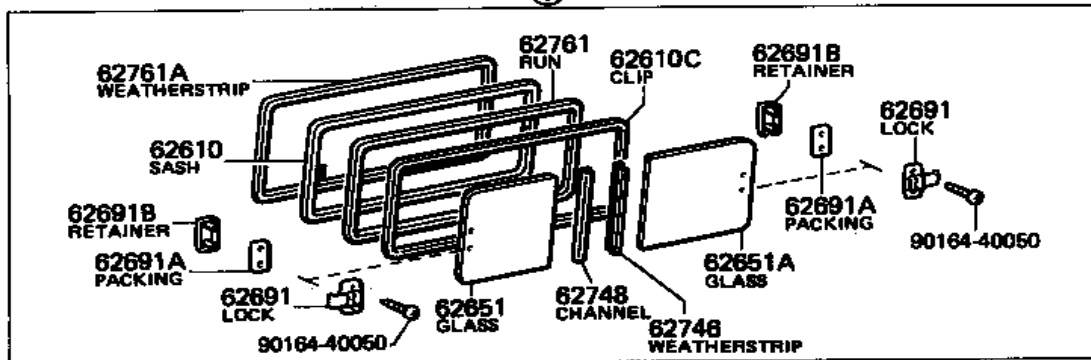
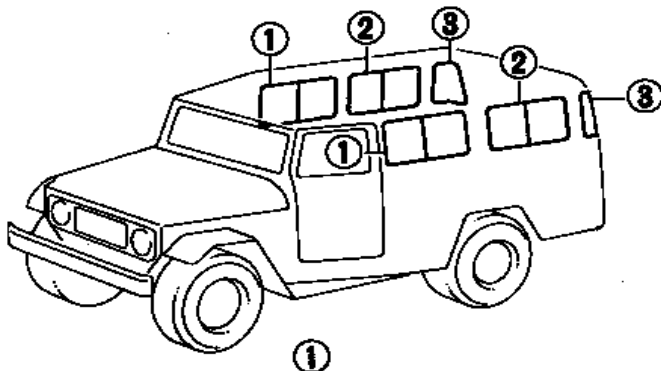
②

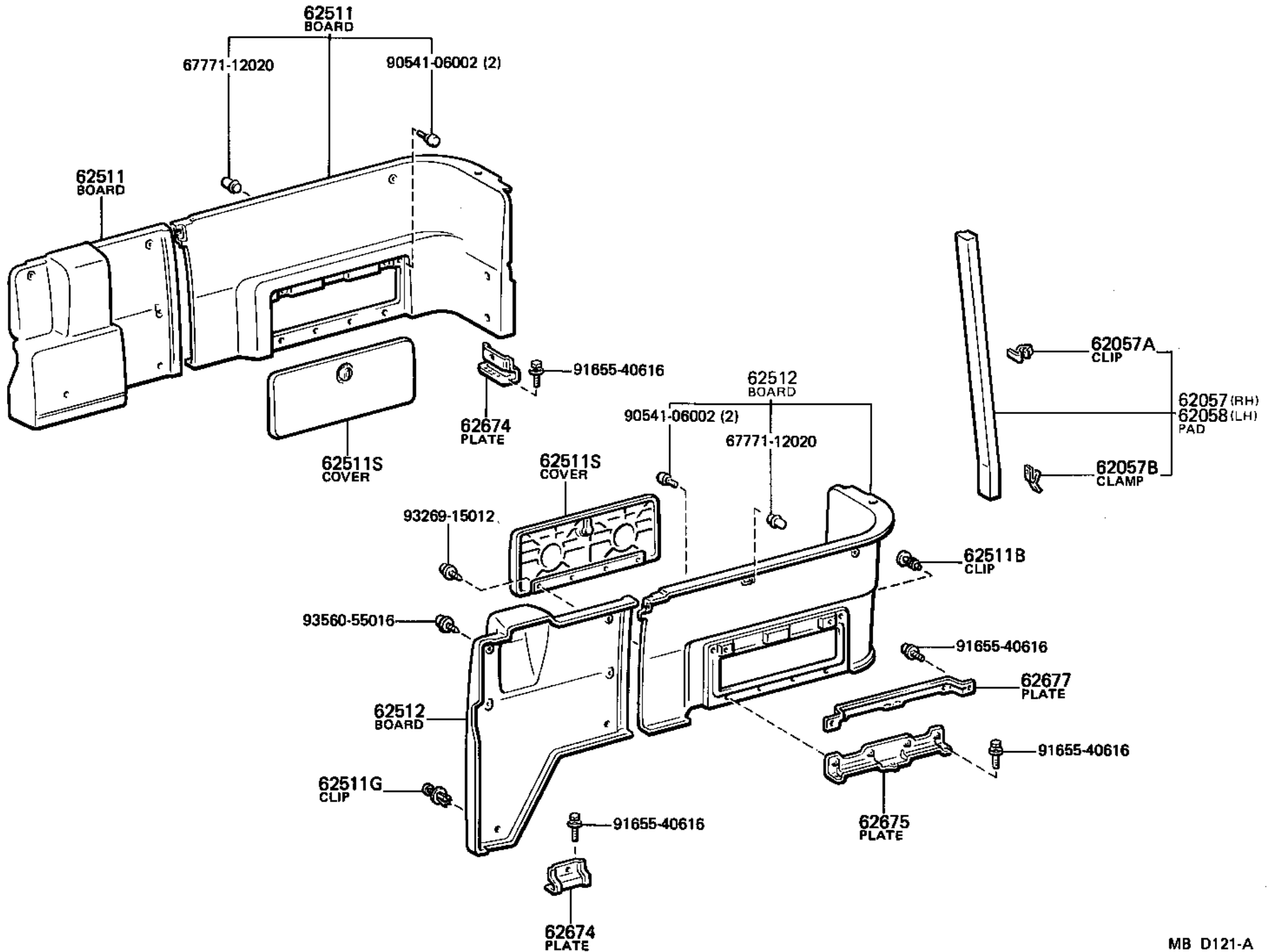


Fized Type

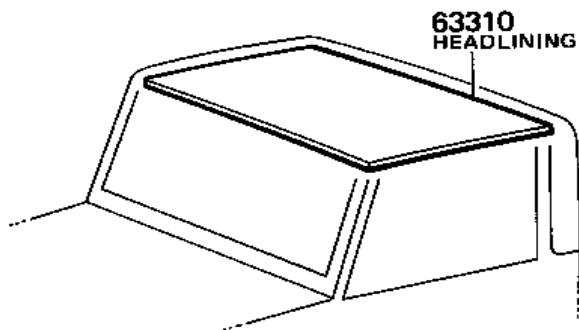


Slide Type

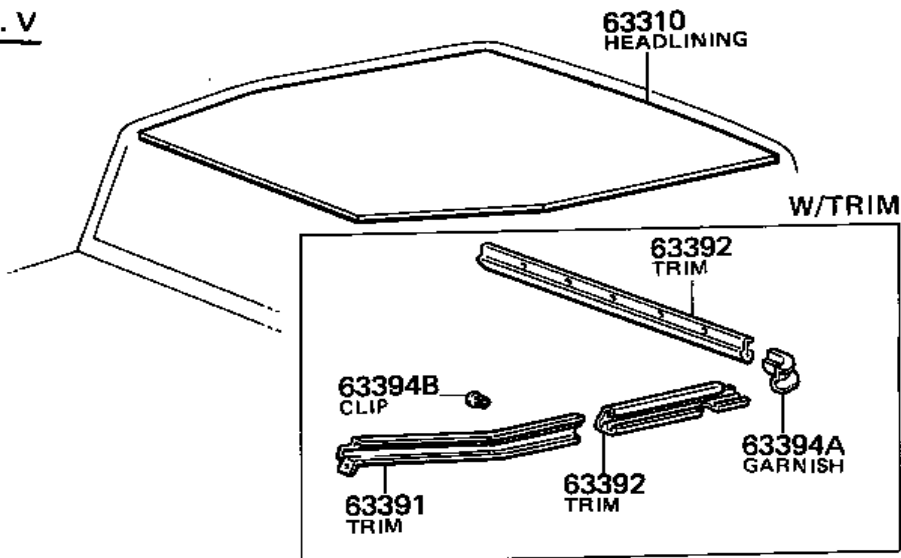




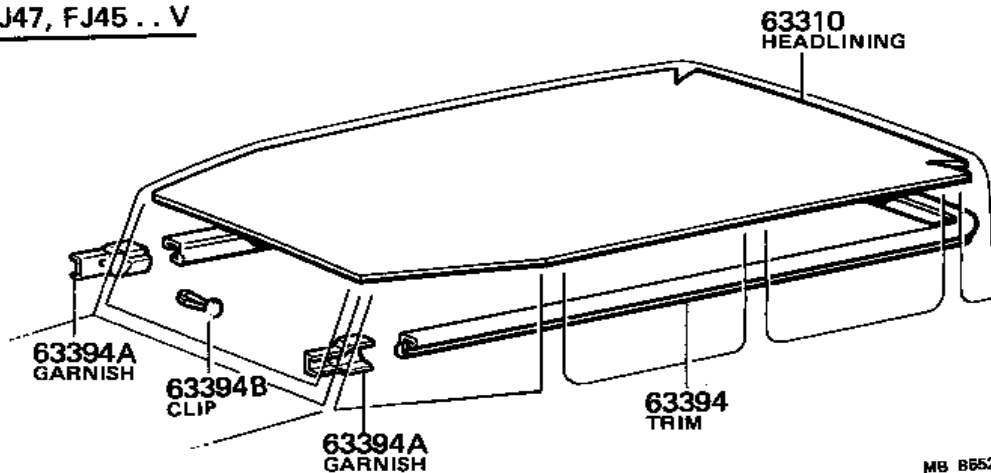
BJ45, HJ47, FJ45 . . PIC



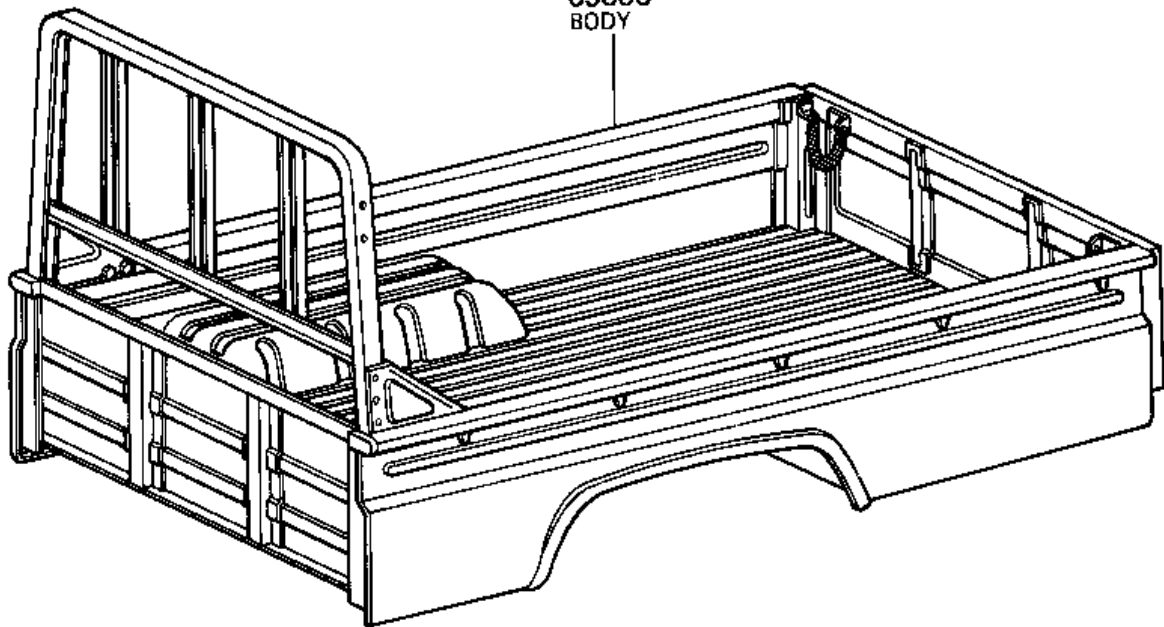
BJ40, 42, FJ40 . . V



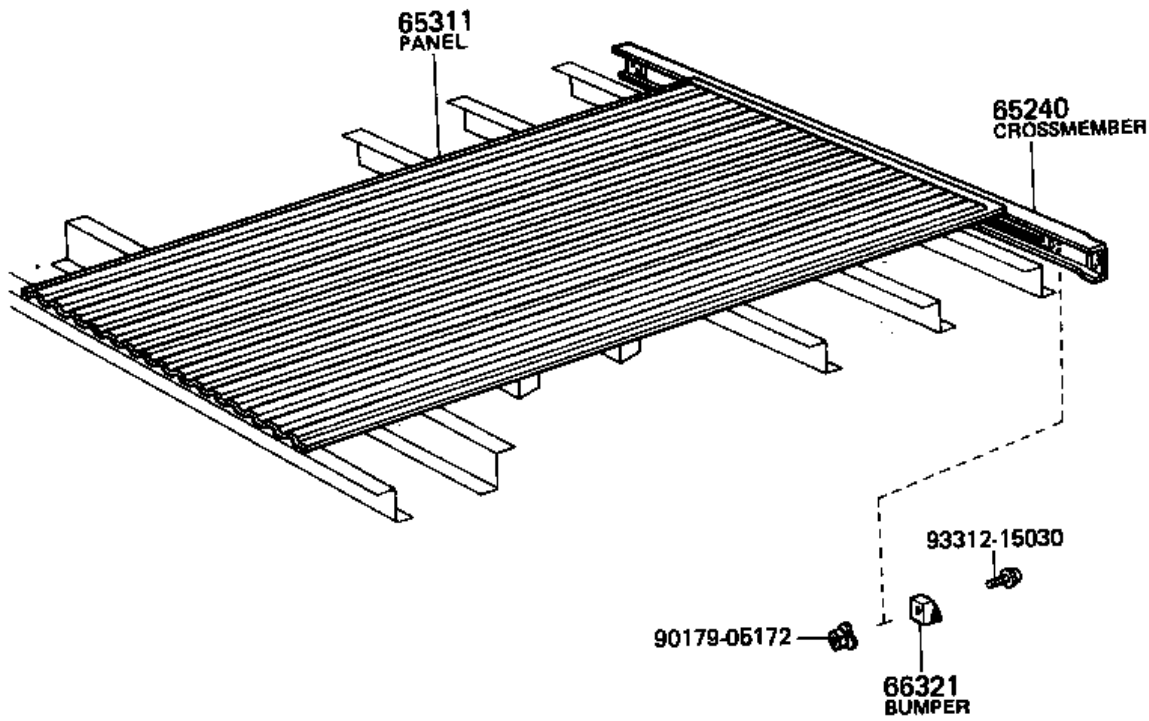
BJ45, HJ47, FJ45 . . V



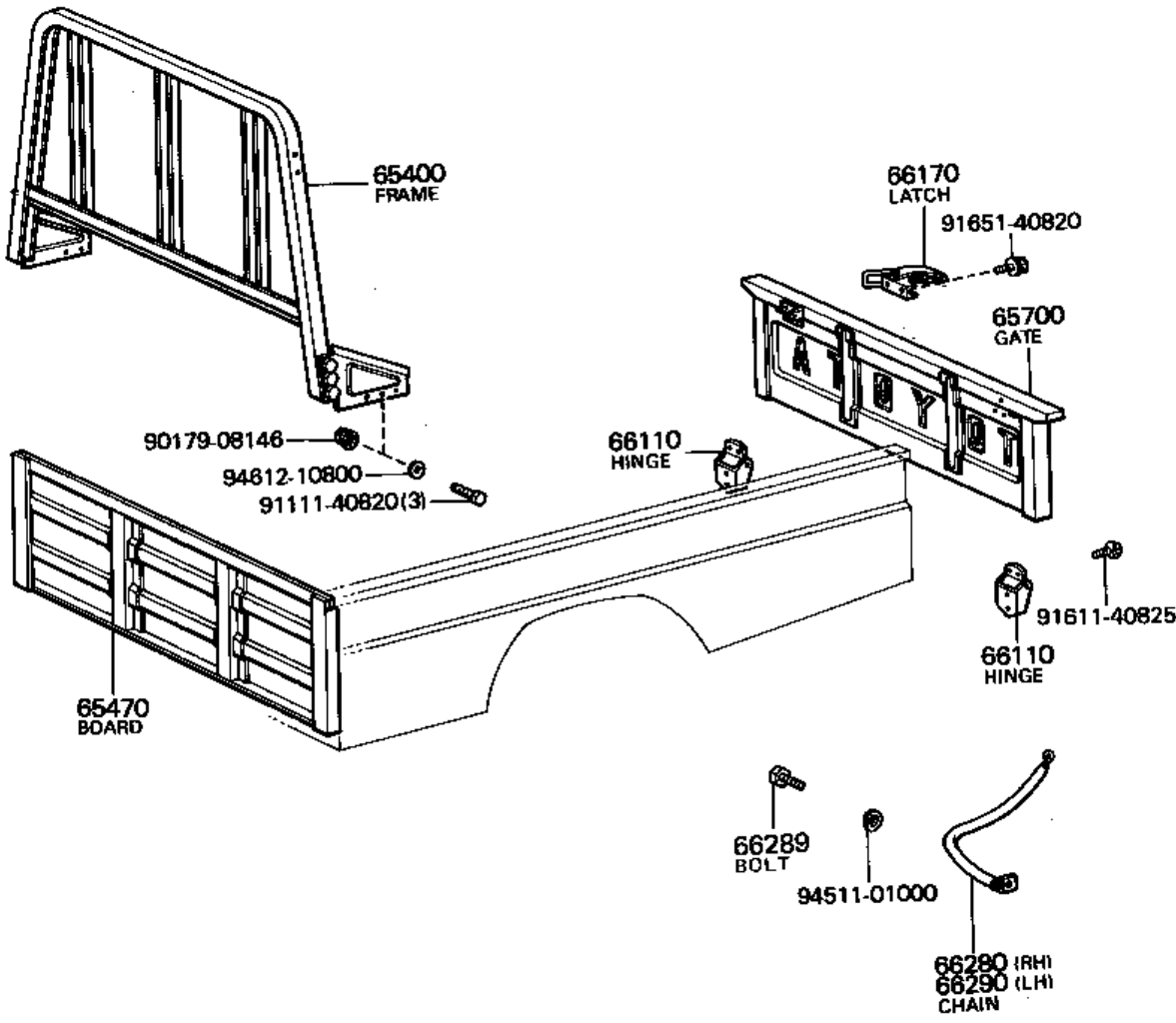
65000
BODY

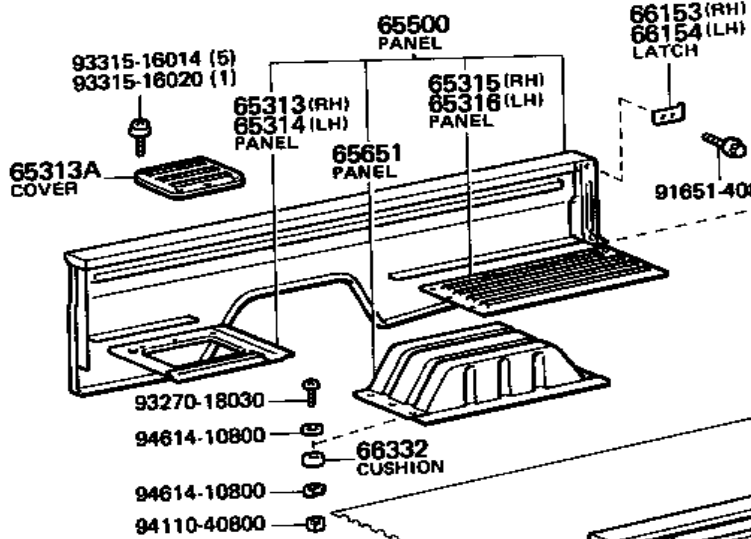
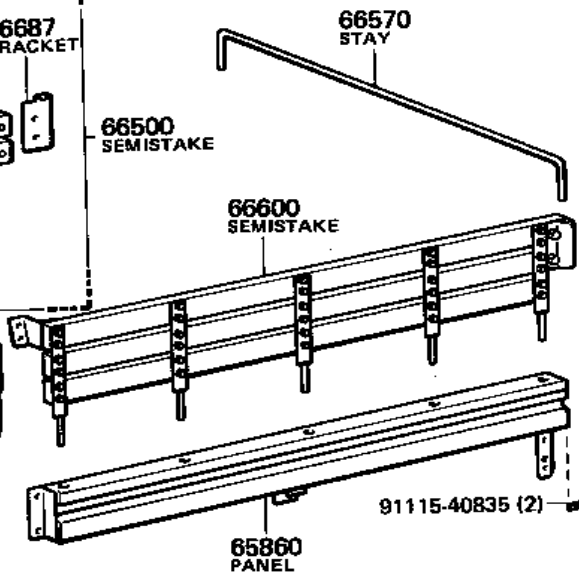
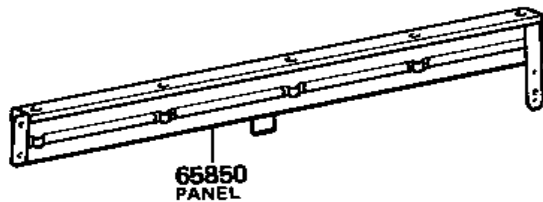
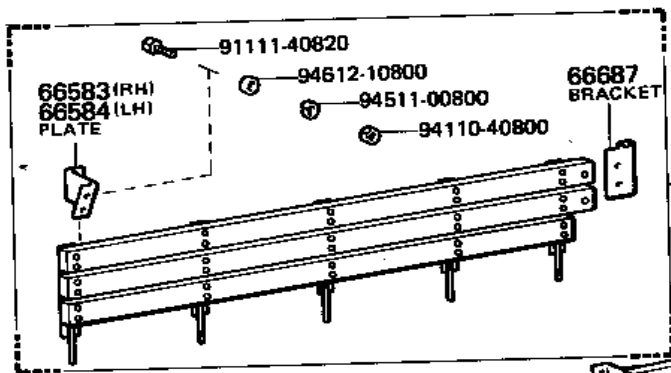


MB 8953

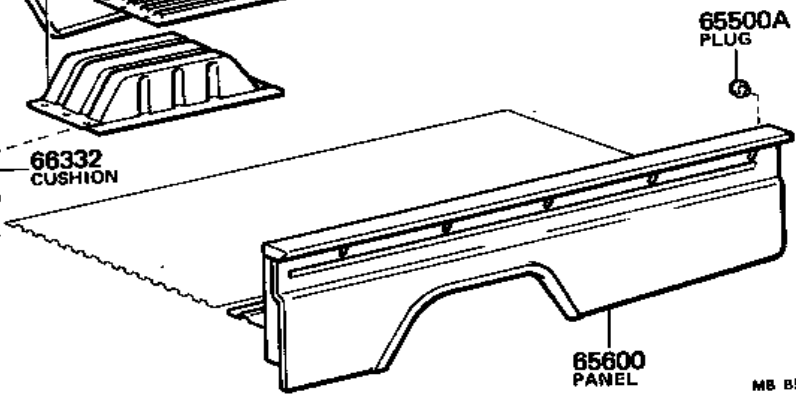


MB B654

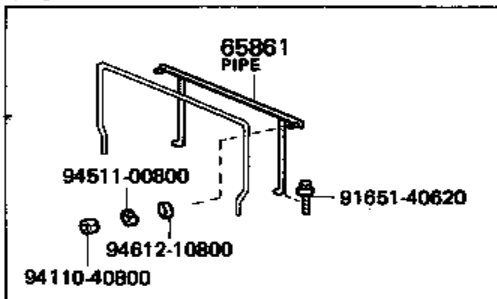




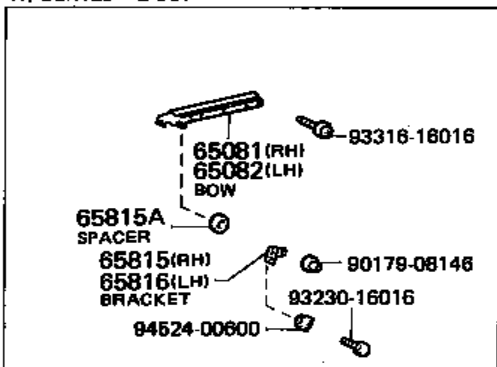
- 93270-18020 (18)
- 94612-10800
- 94511-00800
- 94110-40800



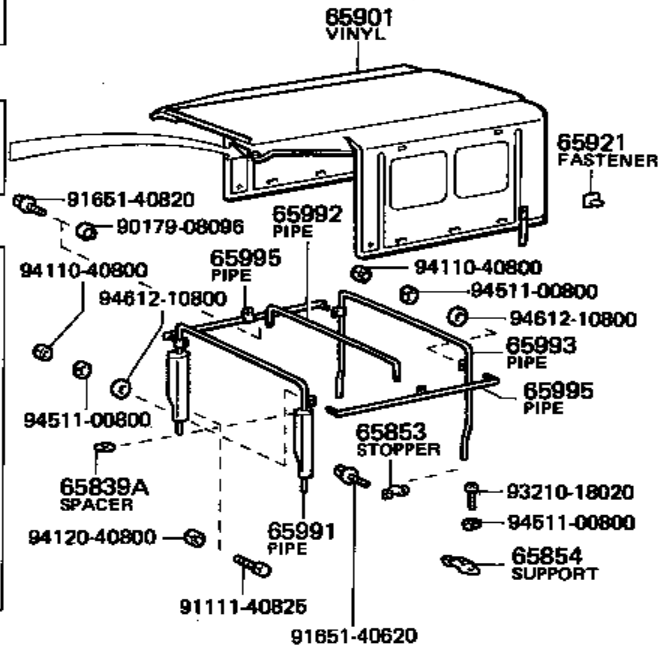
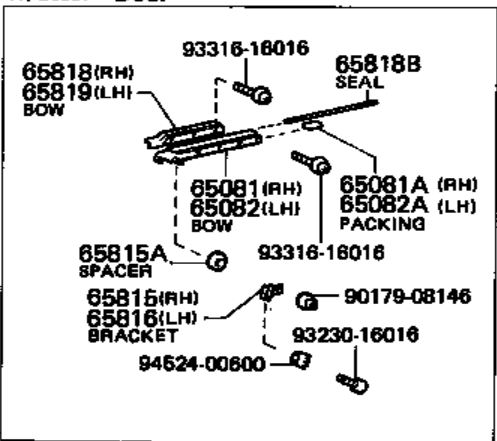
TPC



W/Canvas Door

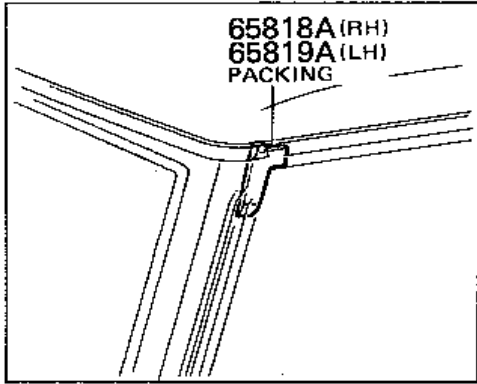


W/Steel Door



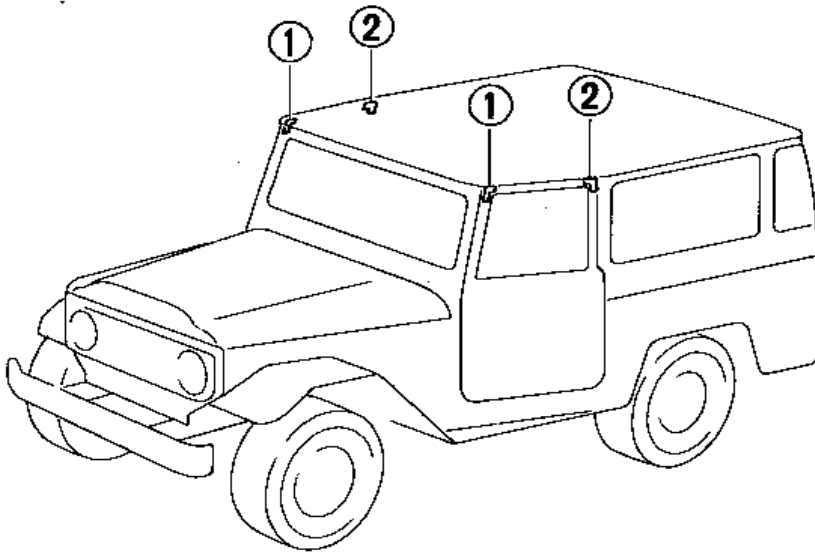
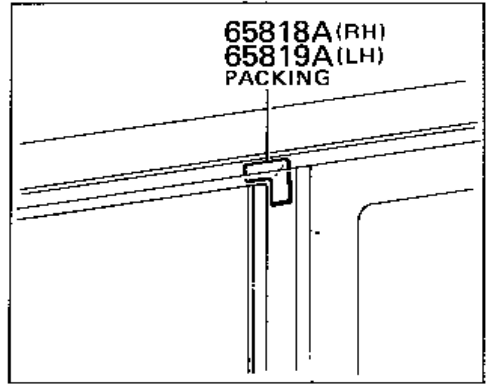
①

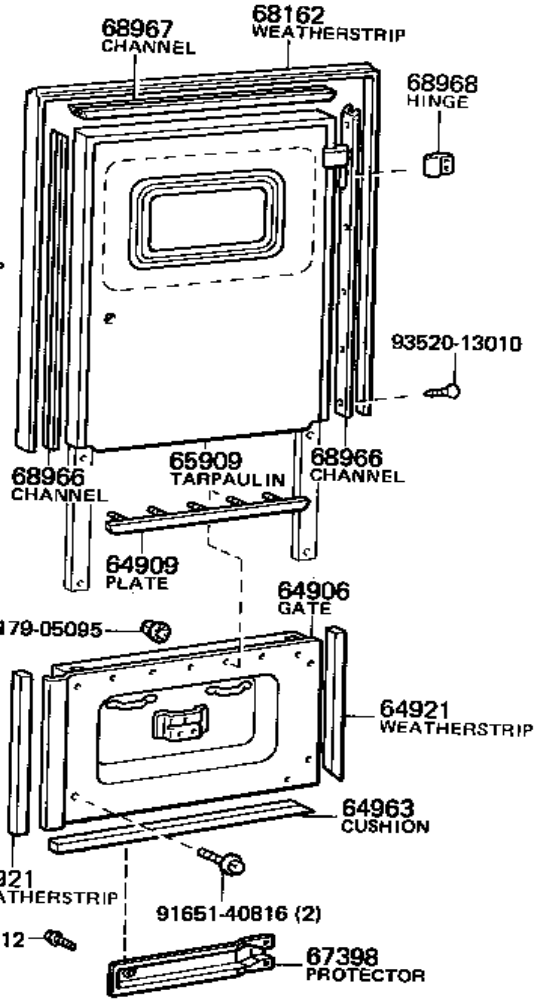
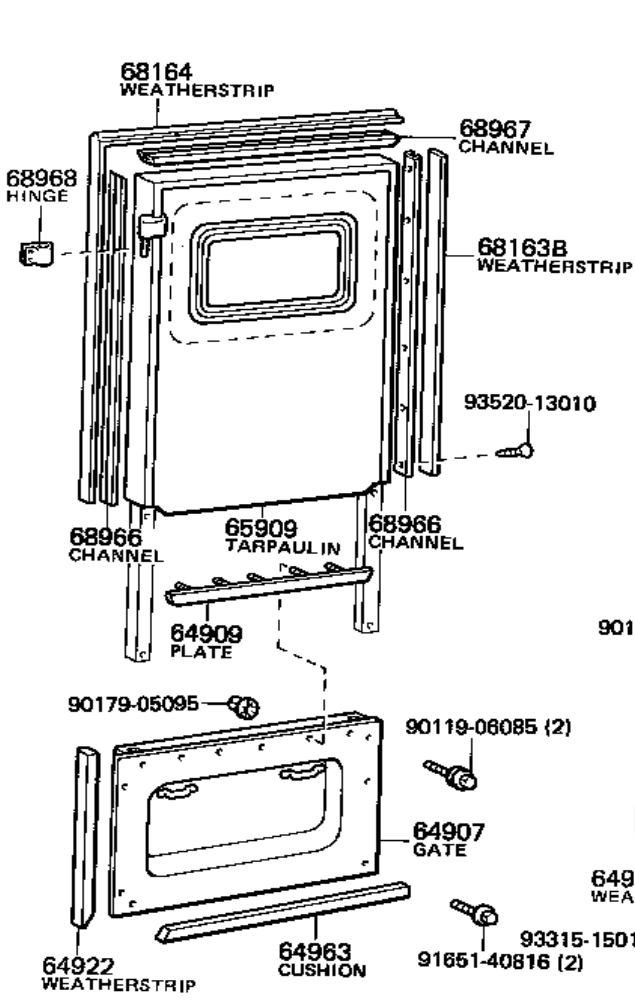
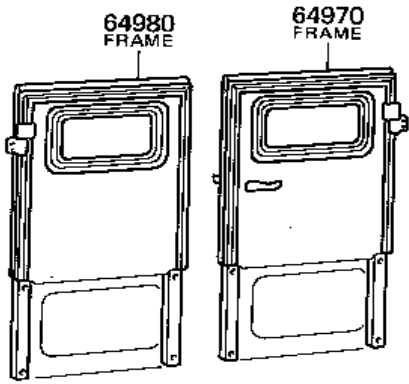
65818A (RH)
65819A (LH)
PACKING

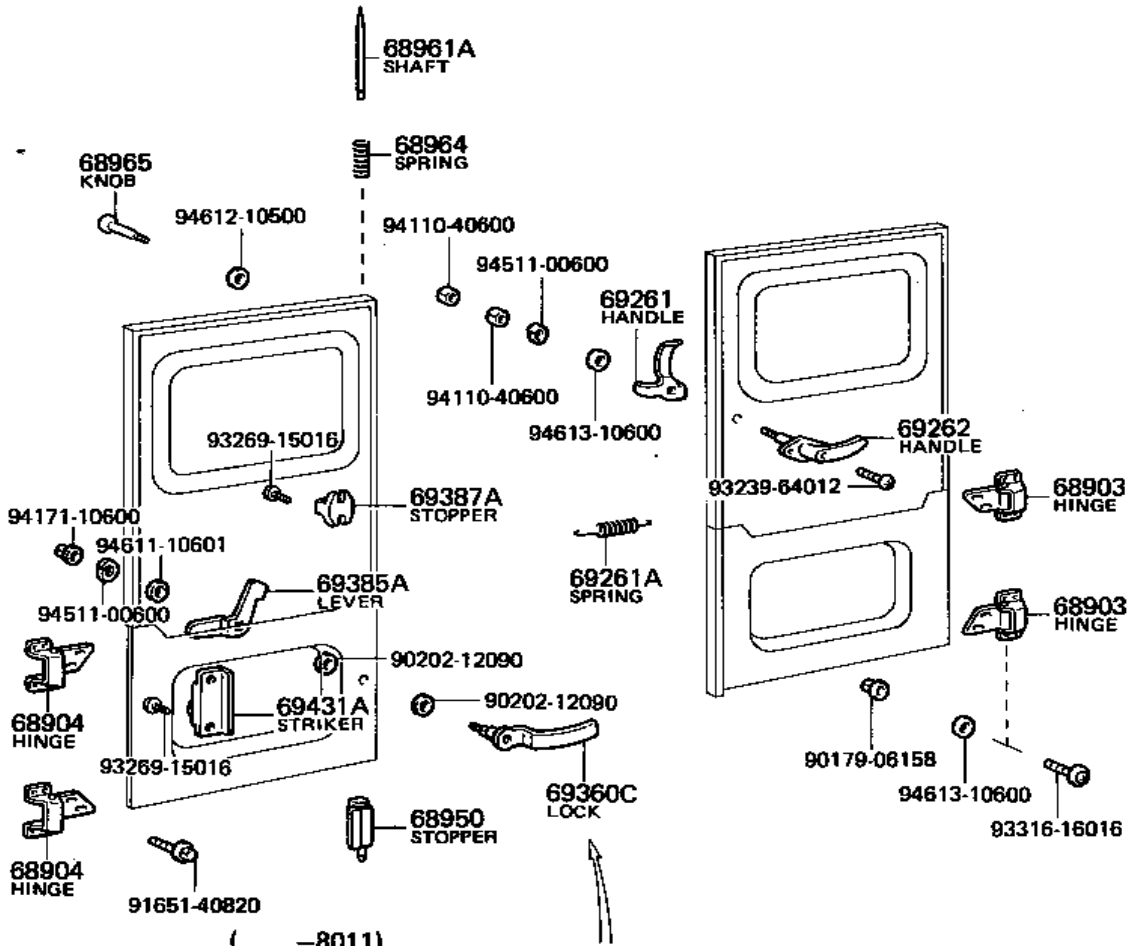


②

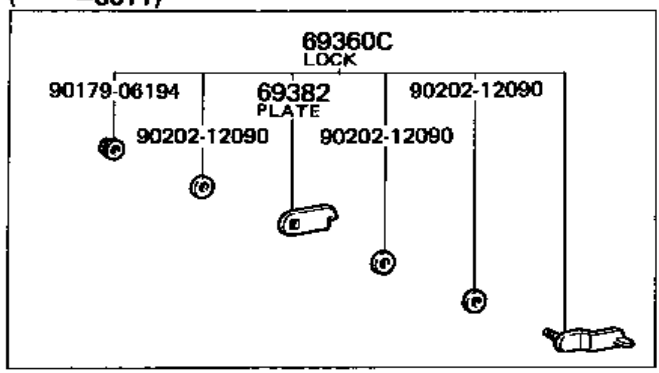
65818A (RH)
65819A (LH)
PACKING



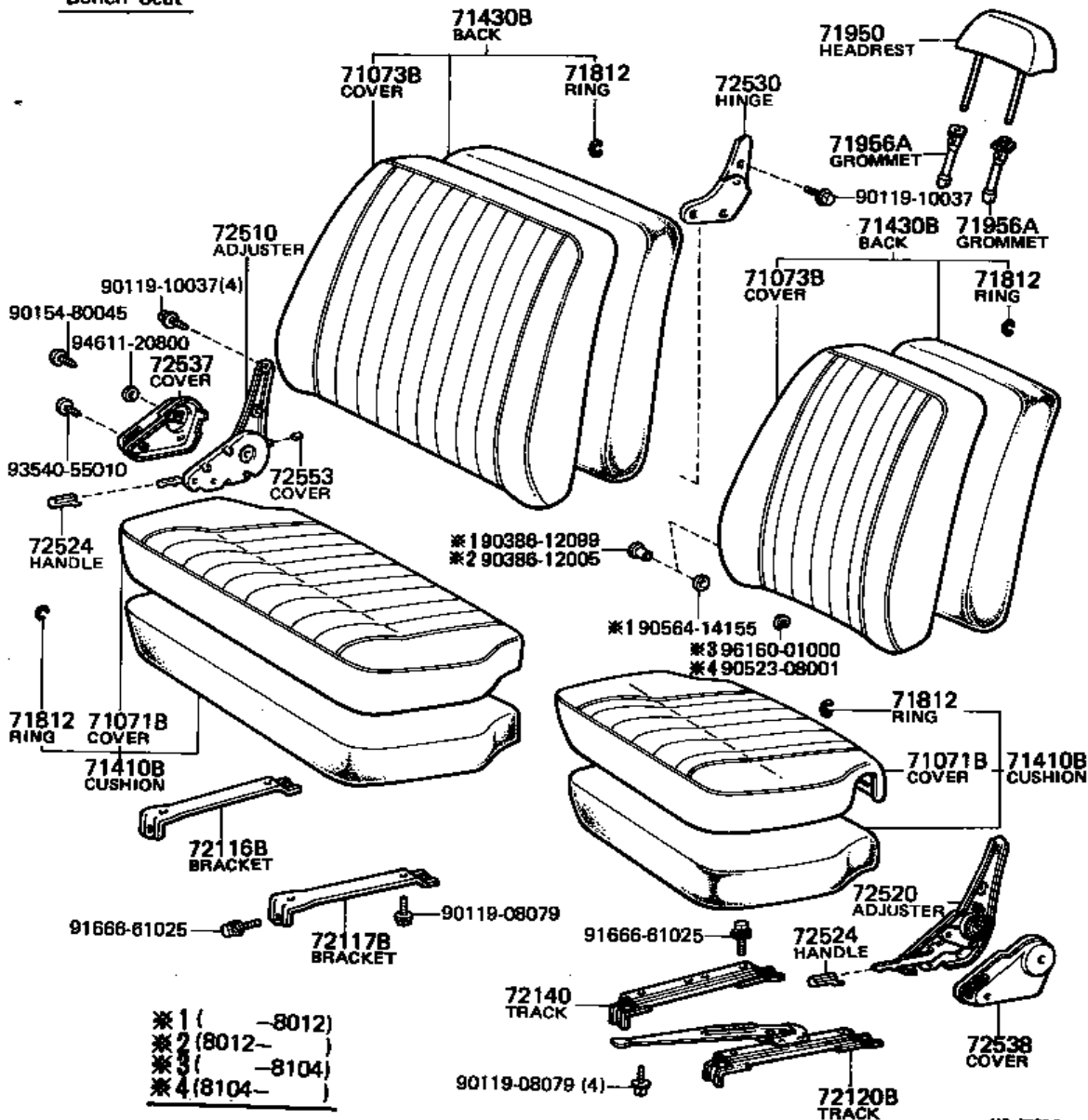




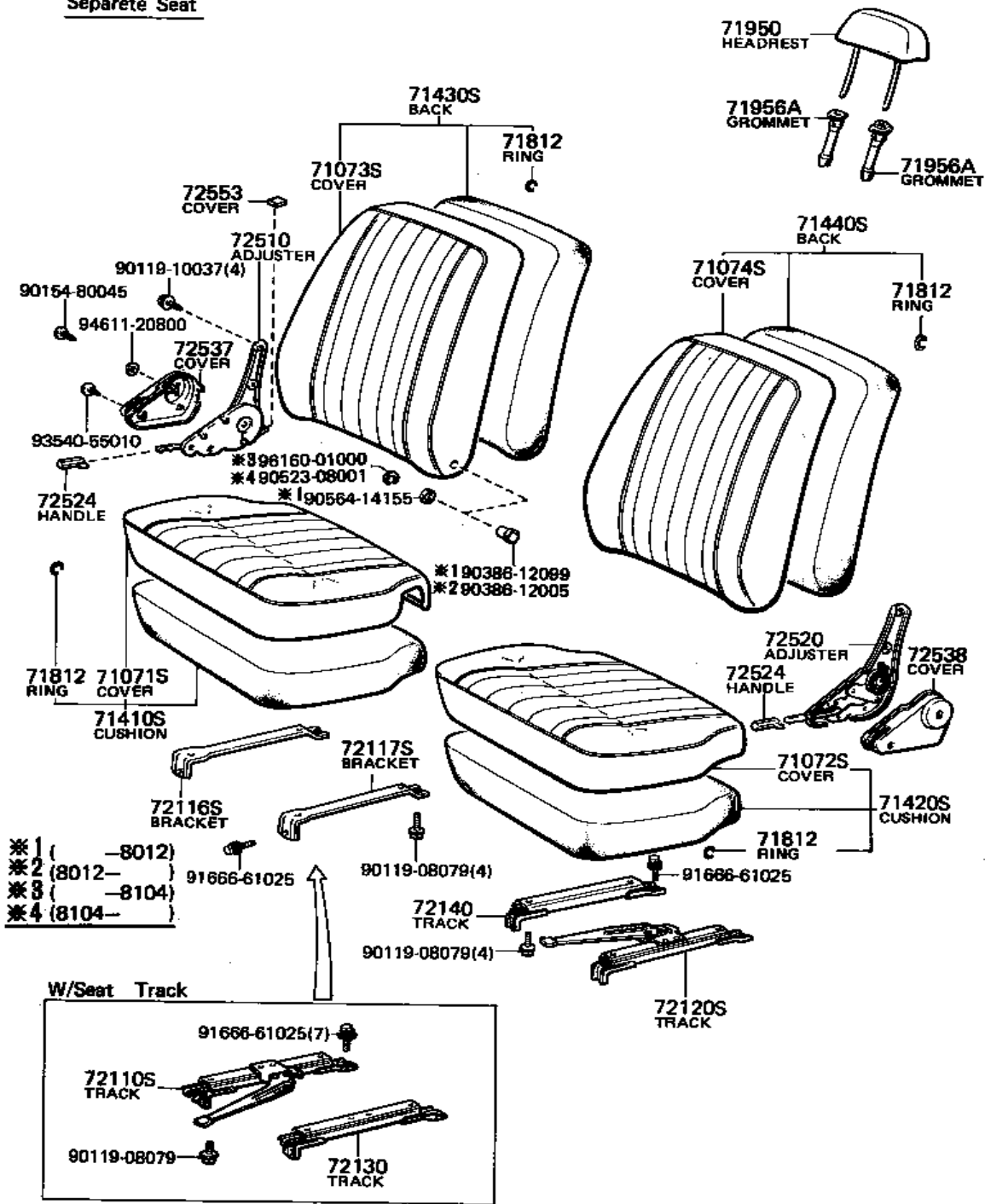
(-8011)



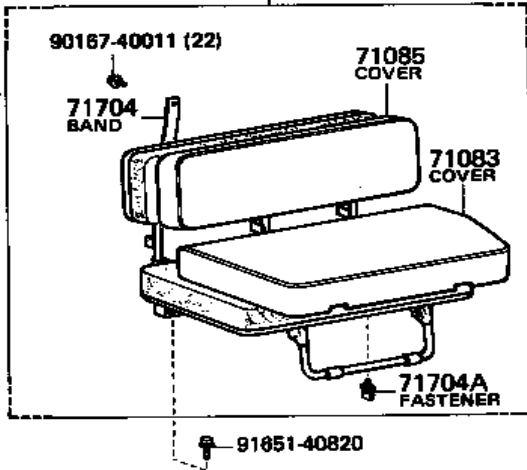
Bench Seat



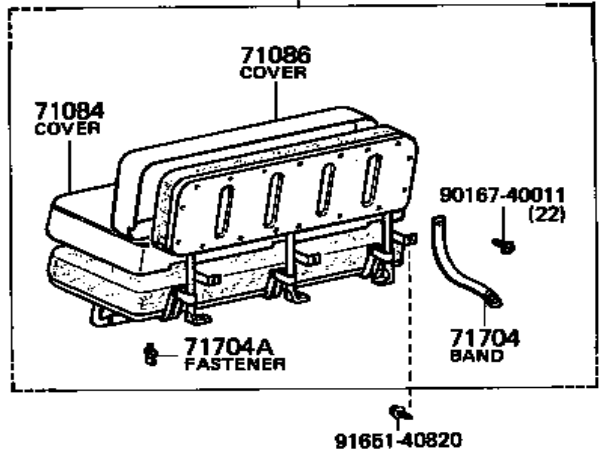
Separate Seat



**71700
SEAT**

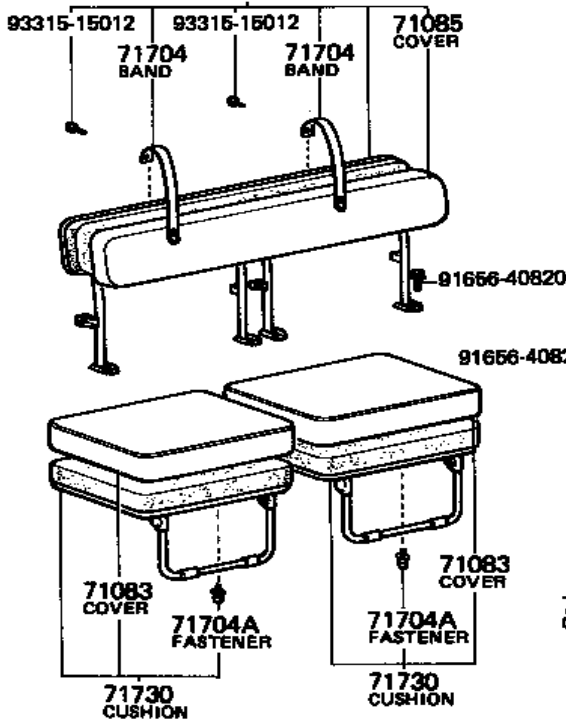


**71800
SEAT**

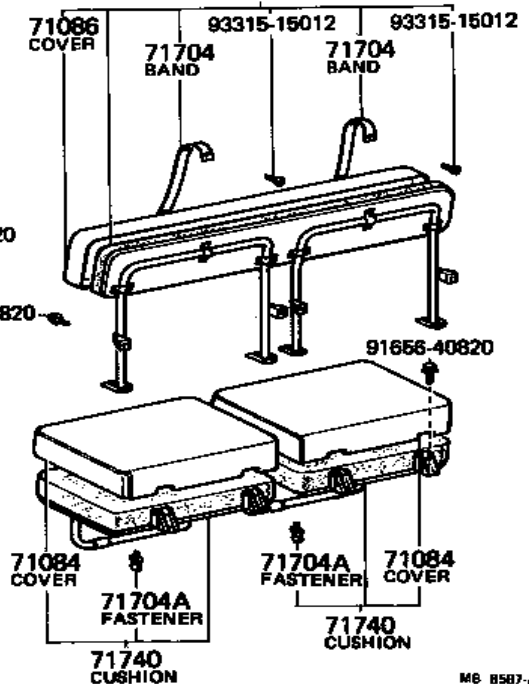


BJ45, HJ47, FJ45 . . V, TP

**71750
BACK**

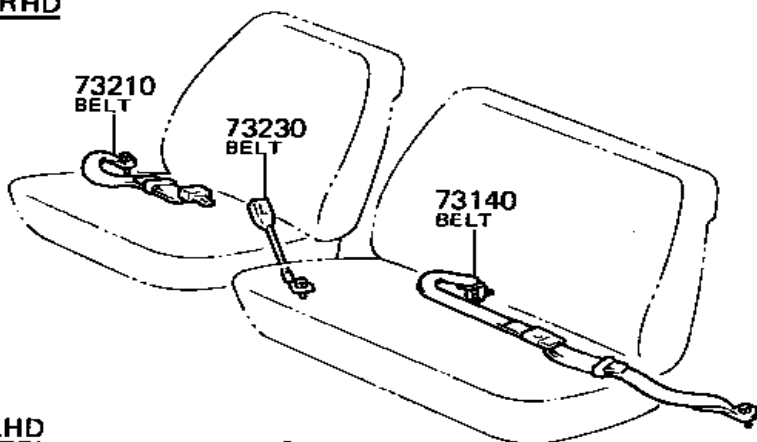


**71760
BACK**

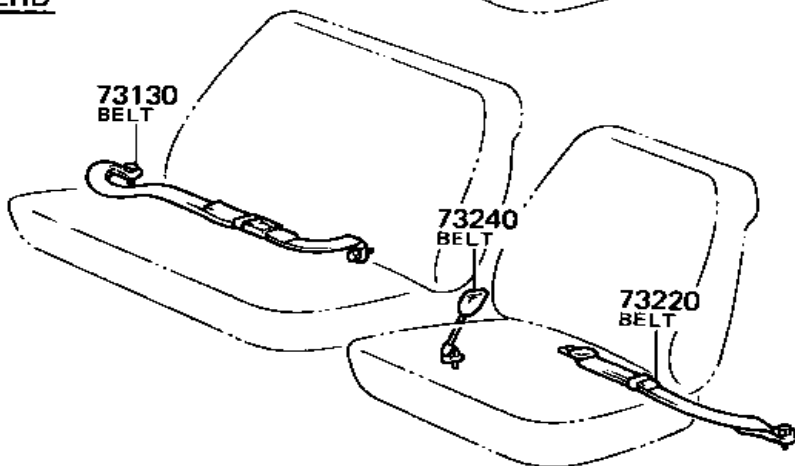


Front Lap Type

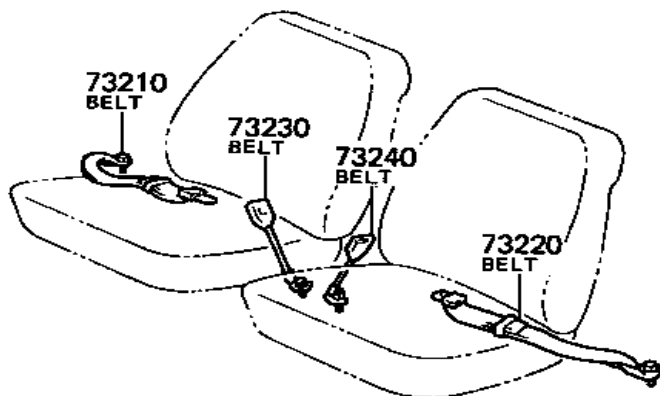
Bench Seat RHD



Bench Seat LHD

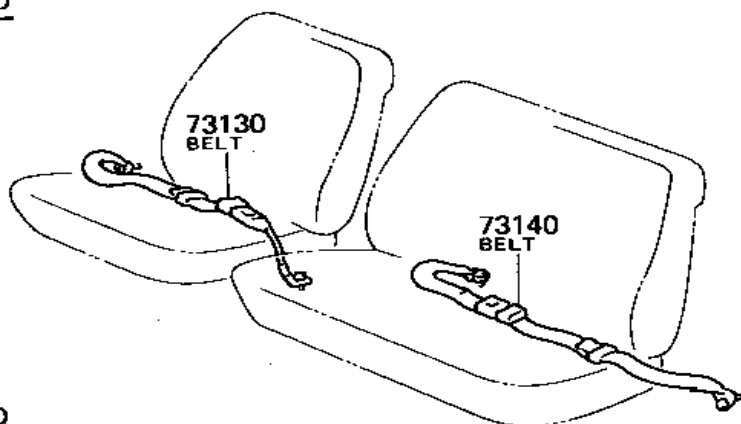


Separate Seat

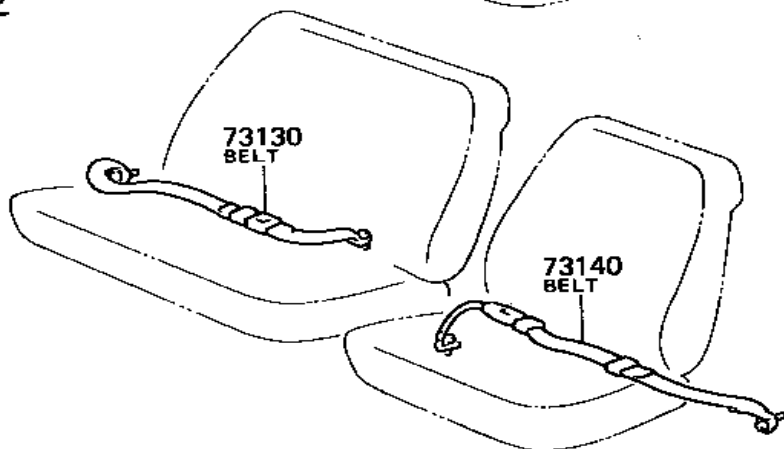


Front Lap Type

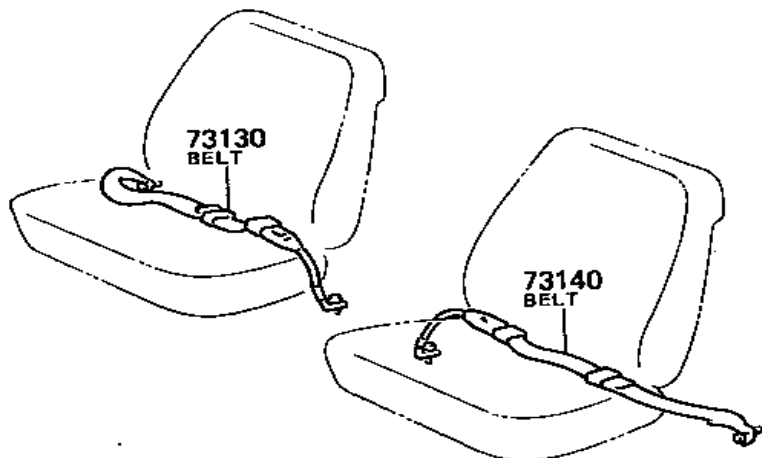
Bench Seat RHD



Bench Seat LHD



Separate Seat

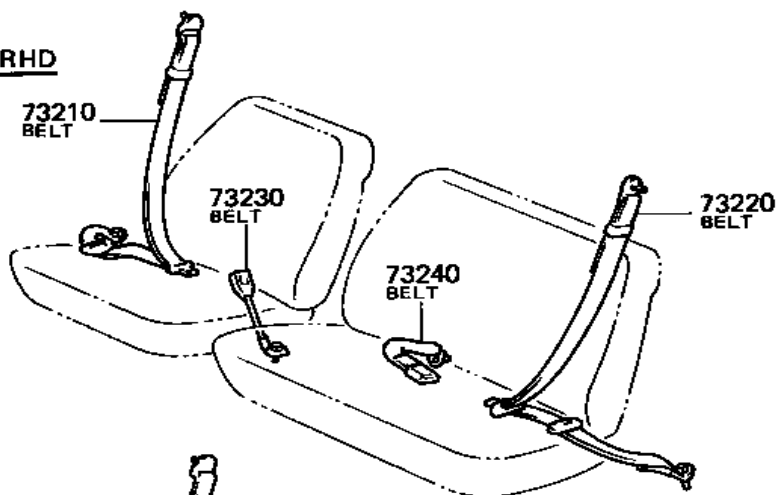


Front

3-point Type

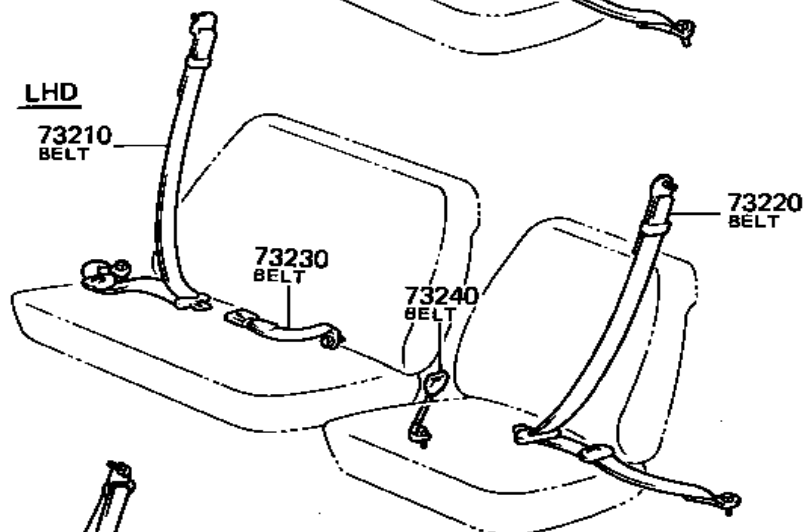
Bench Seat

RHD



Bench Seat

LHD



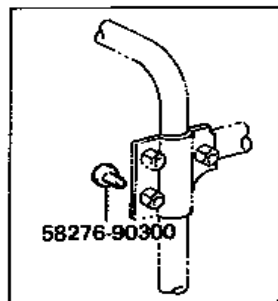
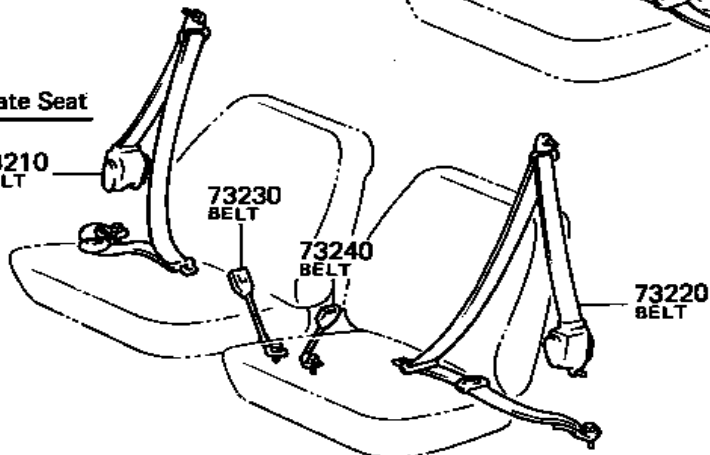
Separate Seat

73210 BELT

73230 BELT

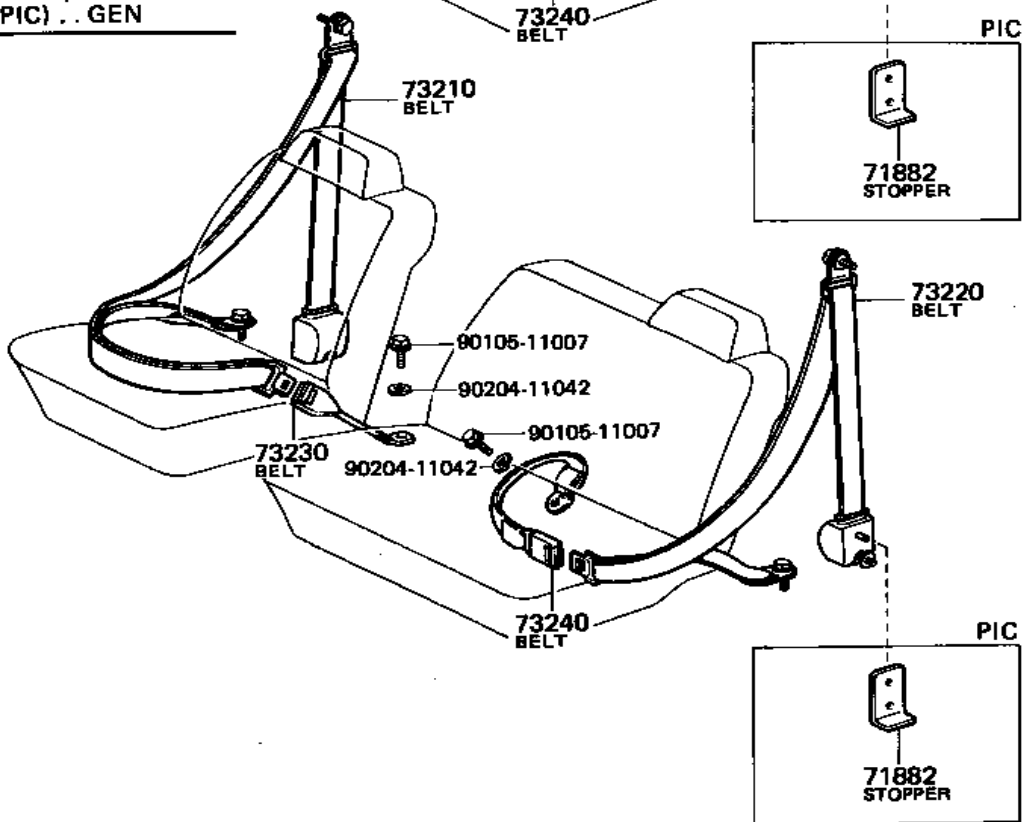
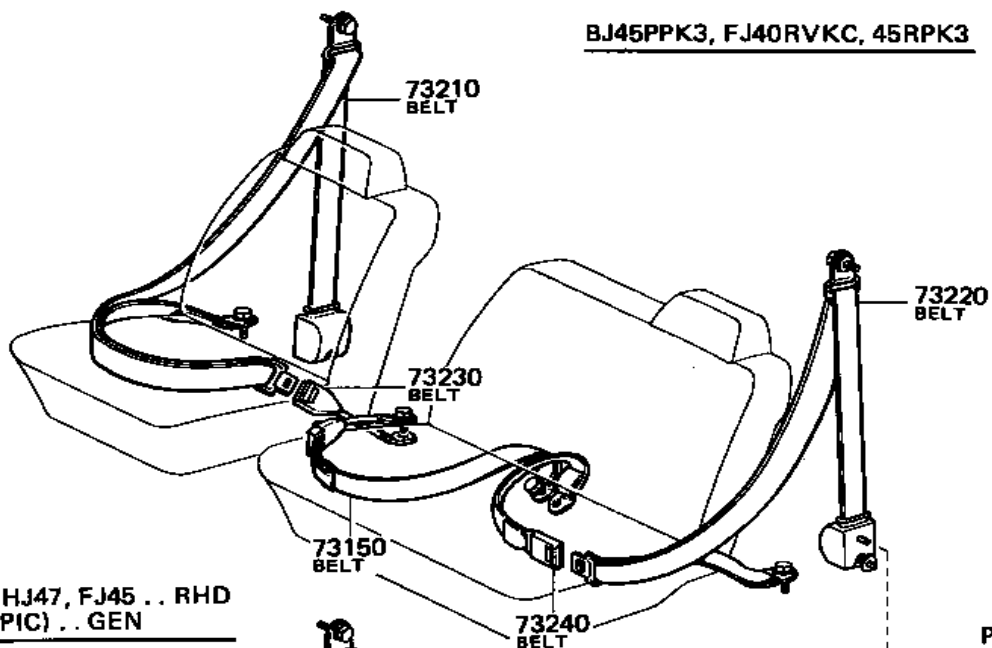
73240 BELT

73220 BELT

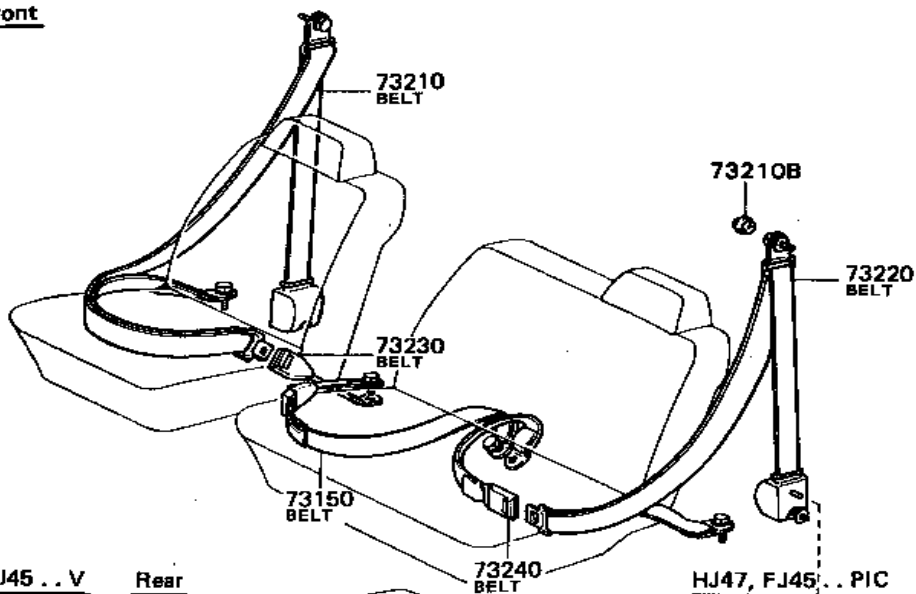


Front

BJ45PPK3, FJ40RVKC, 45RPK3

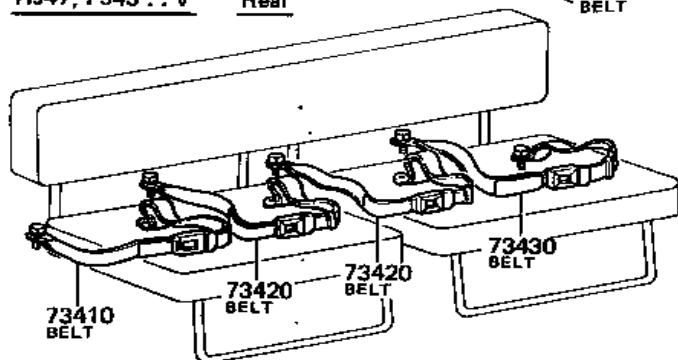


Front

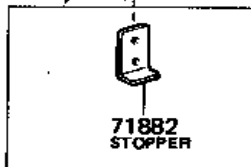


HJ47, FJ45 . . V

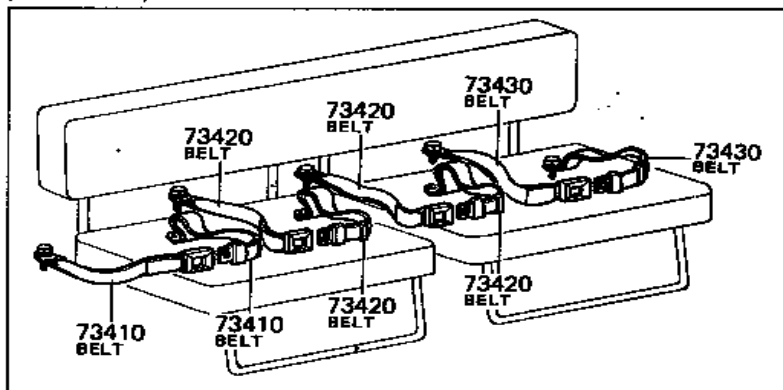
Rear



HJ47, FJ45 . . PIC

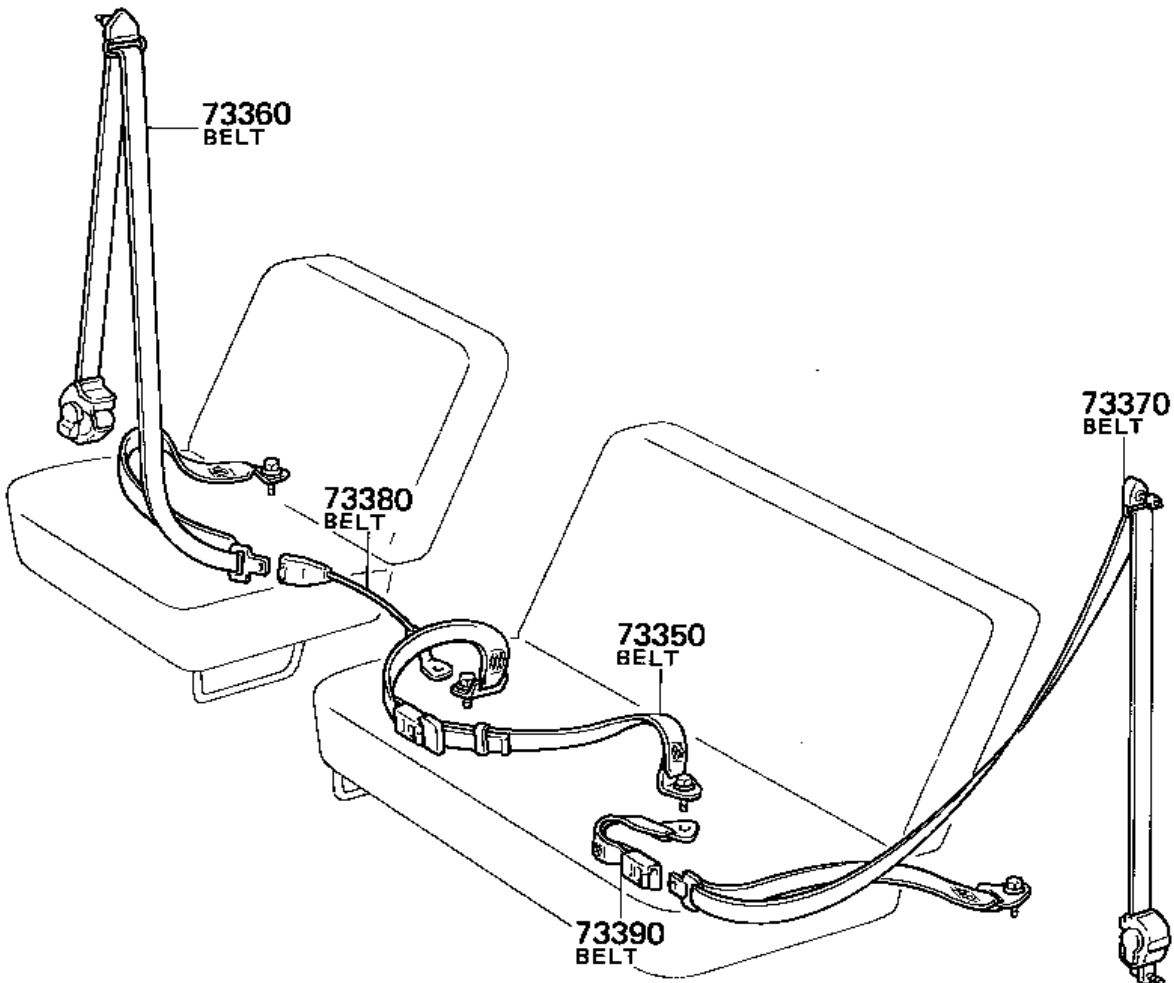


(-8210)



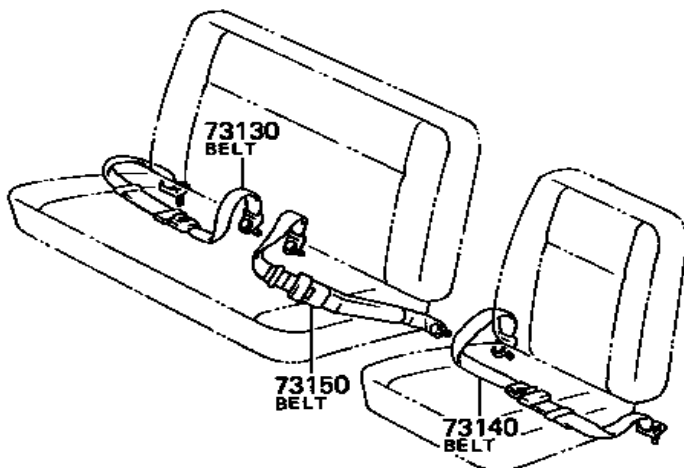
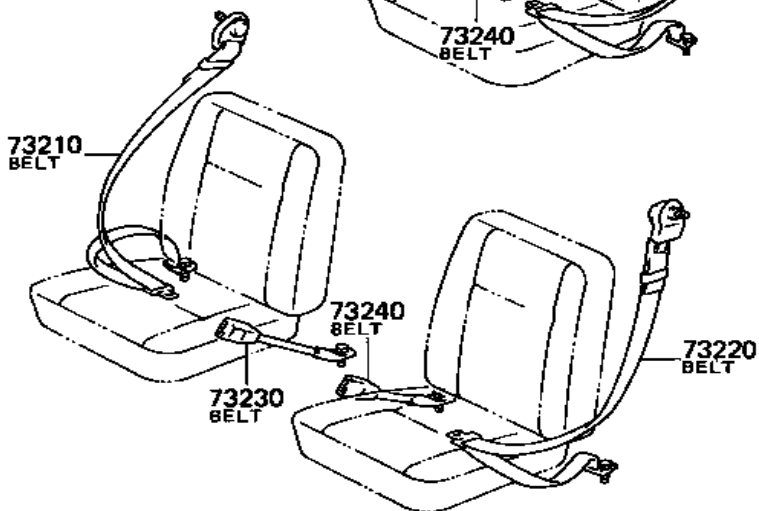
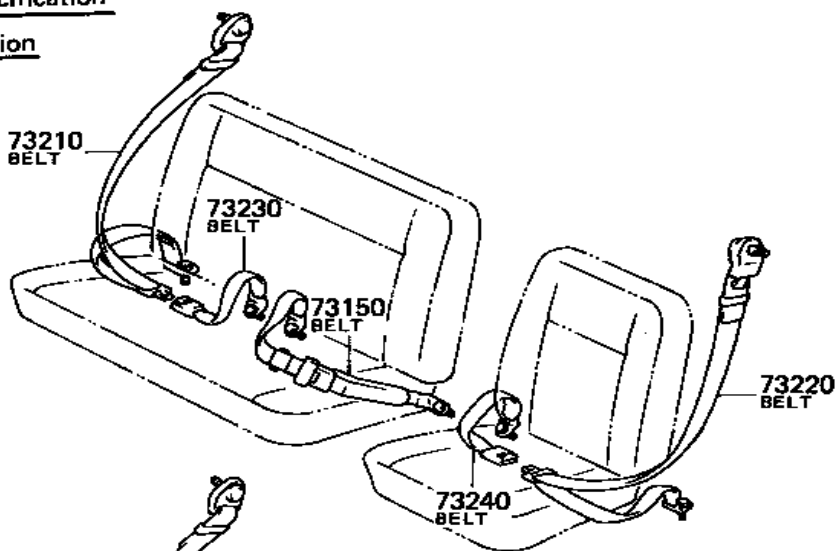
MB B590-C

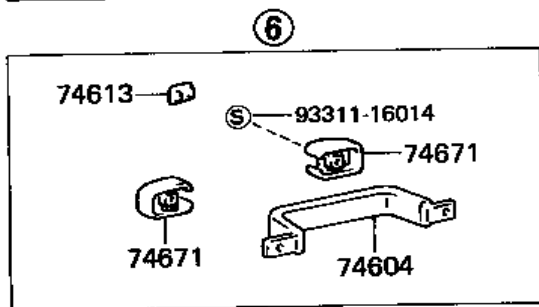
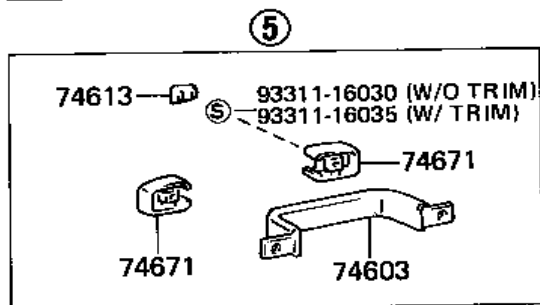
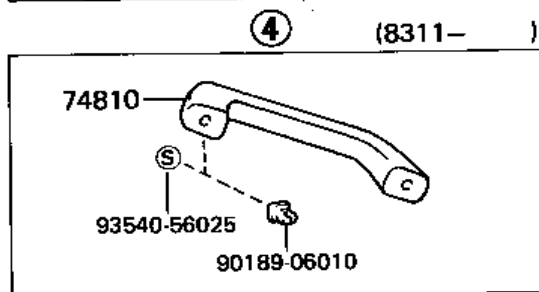
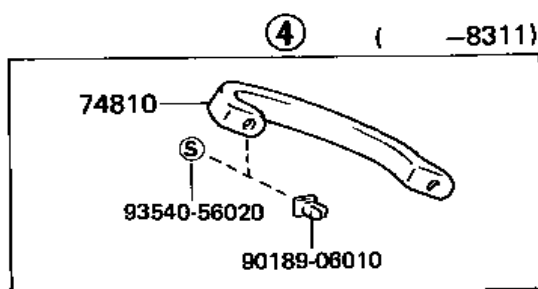
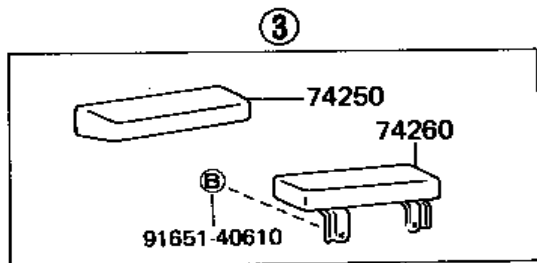
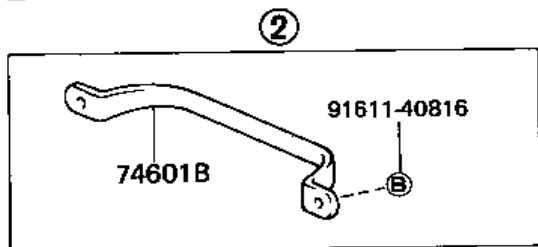
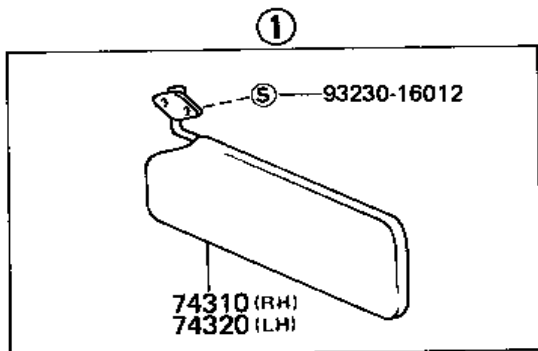
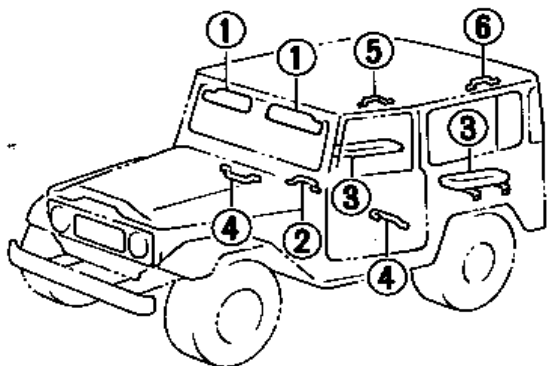
Rear



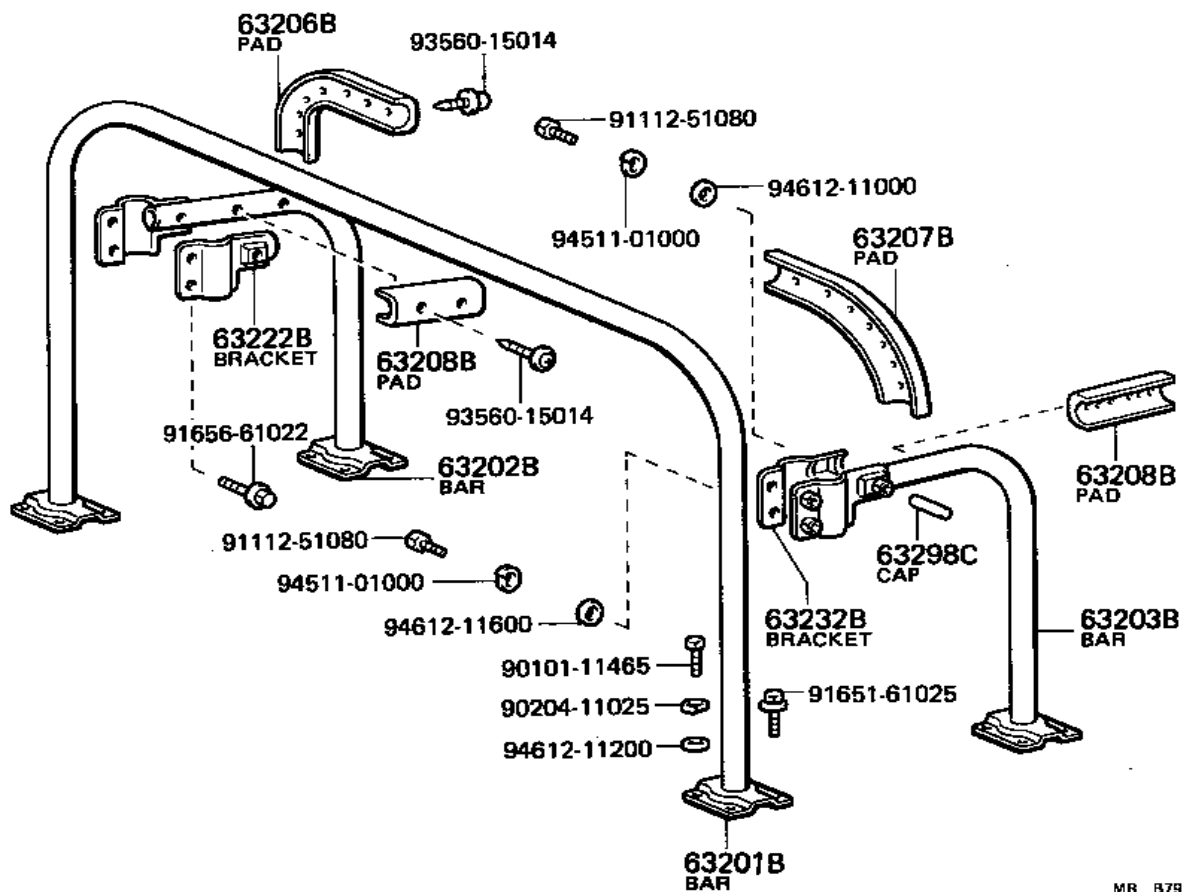
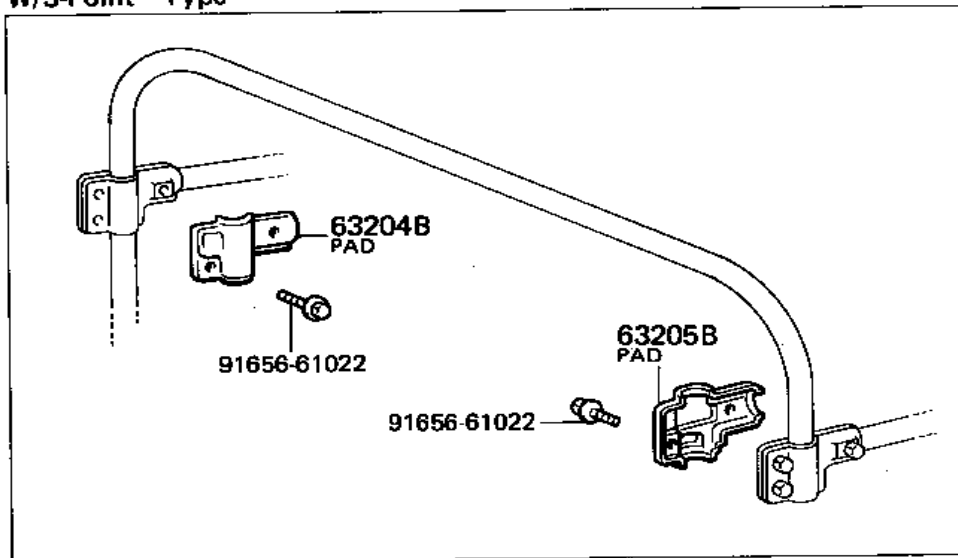
Saudi Arabia Specification

Orman Specification





W/3-Point Type



(-8208)

(8208-)

4F

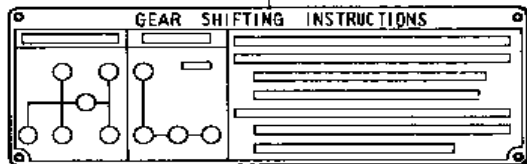
74559A
PLATE

DIESEL

74559A
PLATE

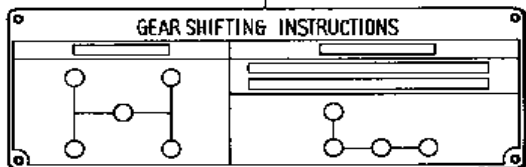
DIESEL
軽油

74533
PLATE

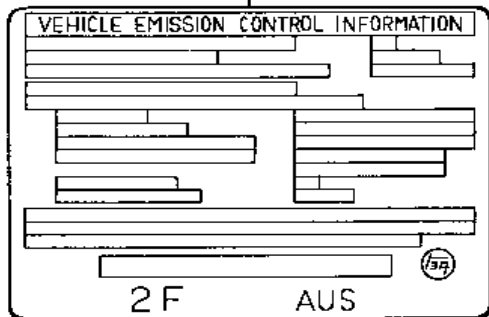


3F

74533
PLATE



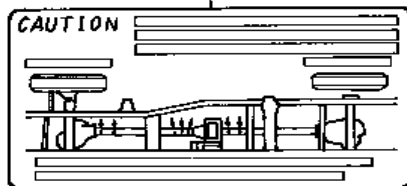
74562
PLATE



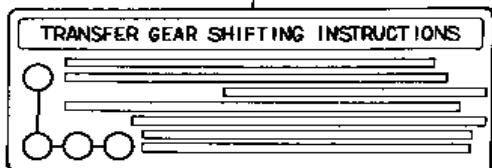
74552
PLATE

TOYOTA LANDCRUISER

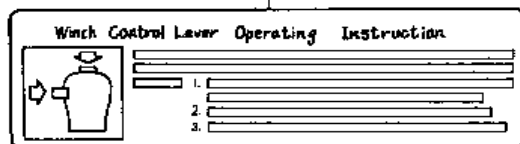
37199
PLATE



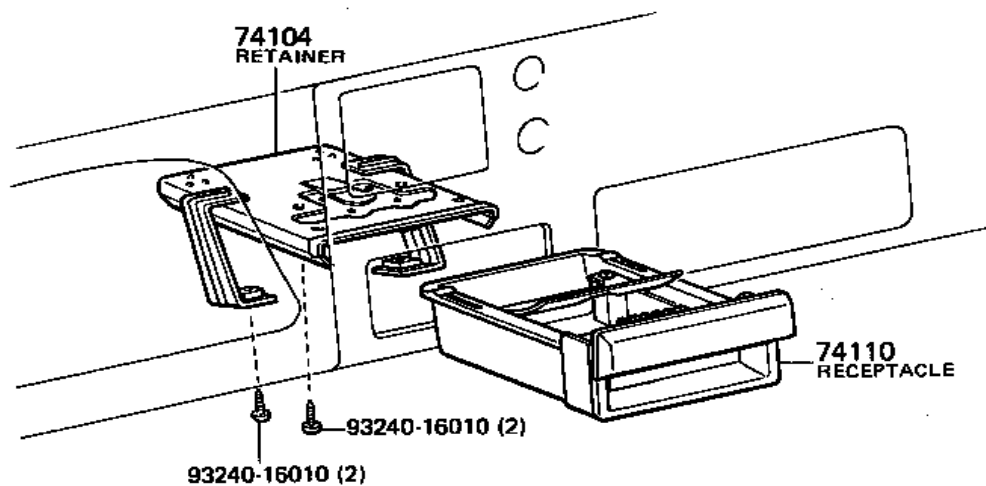
33621A
PLATE



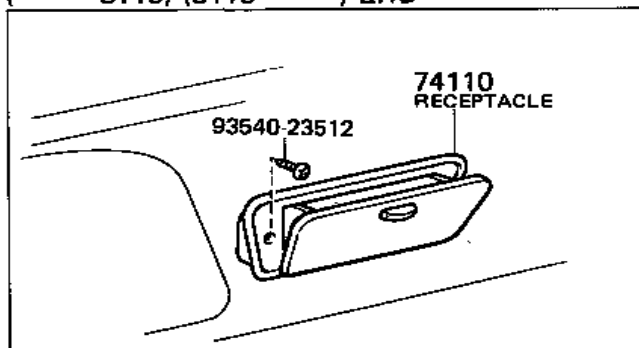
33621A
PLATE



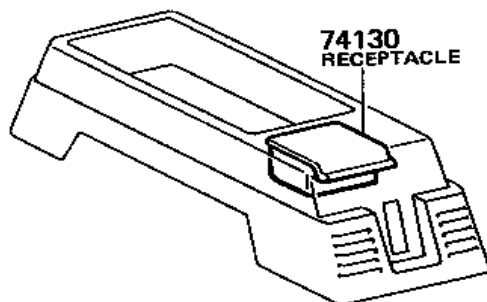
(8110-) RHD

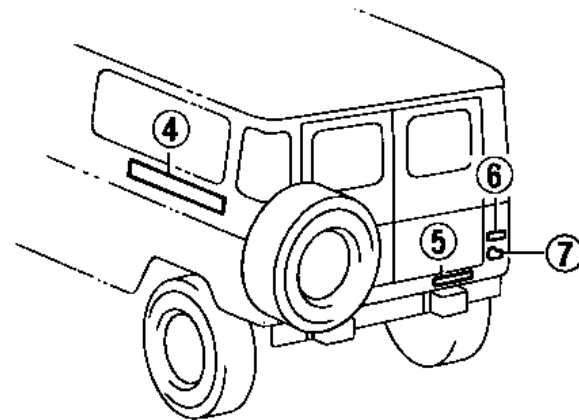
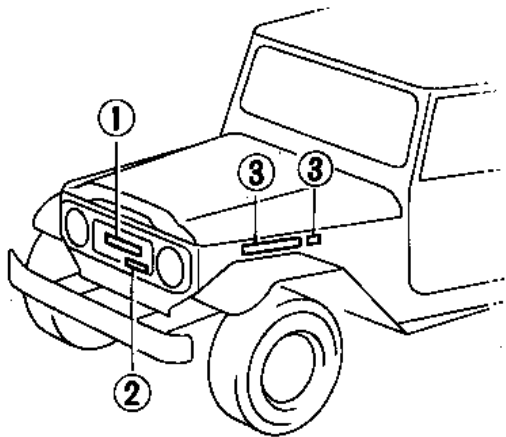


(-8110) (8110-) LHD

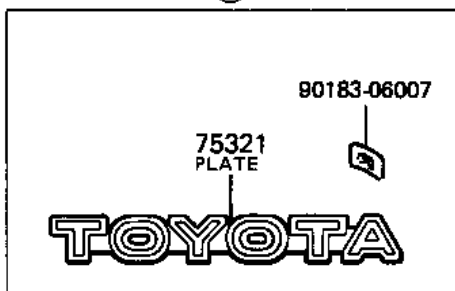


W/Rear Heater

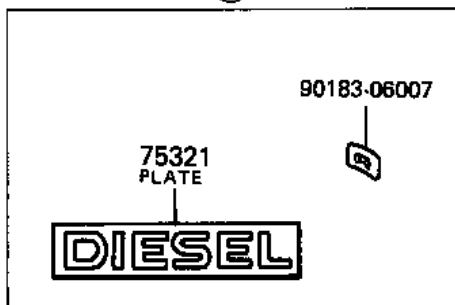




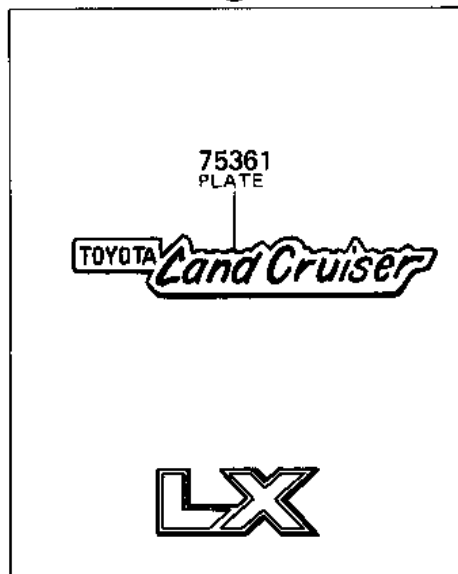
①



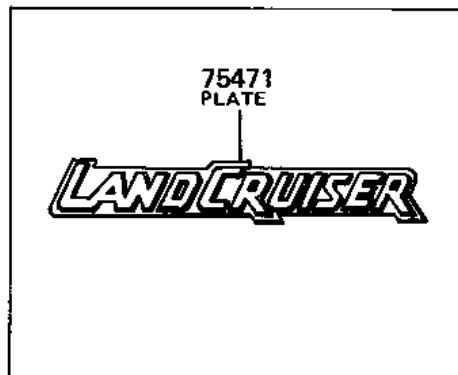
②



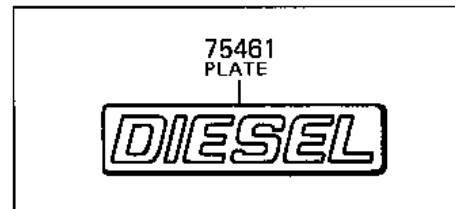
③



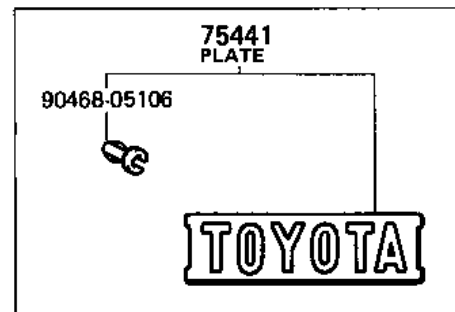
④



⑤



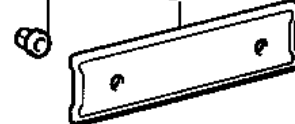
⑥



75441
PLATE

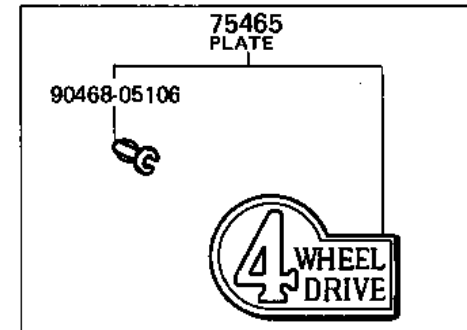
90179-04092

75441A
PAD



TOYOTA

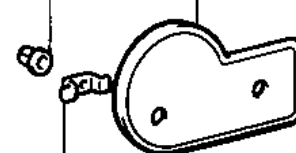
⑦



90179-04092

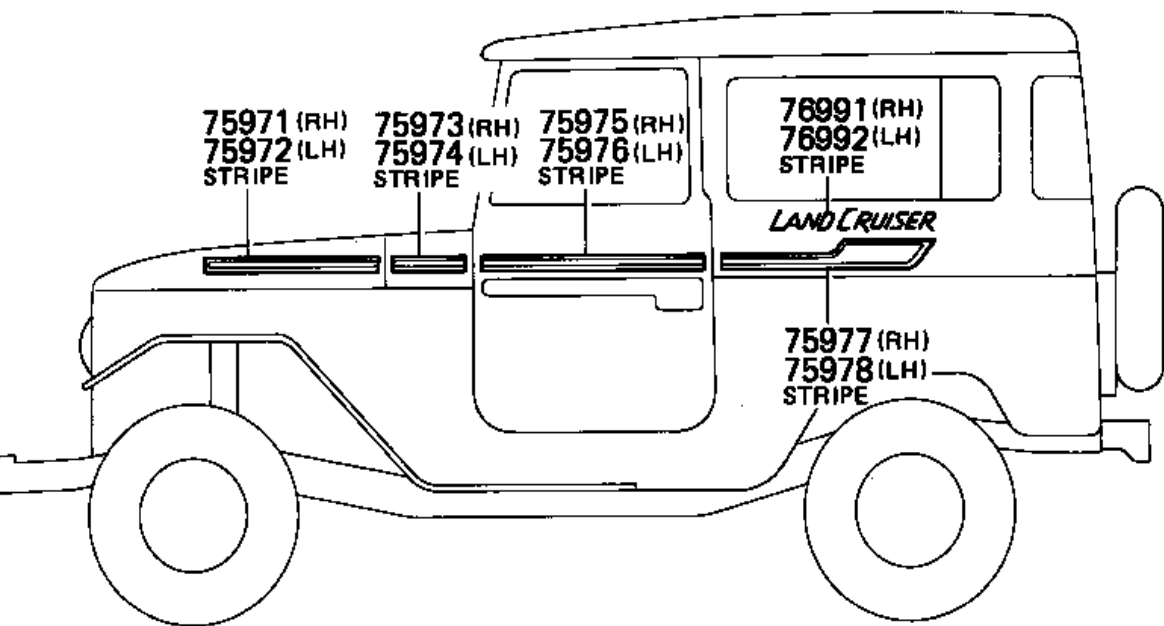
75465
PLATE

75465B
PAD

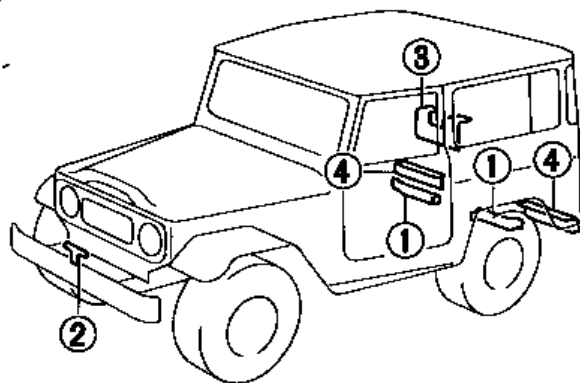


75465A
RETAINER

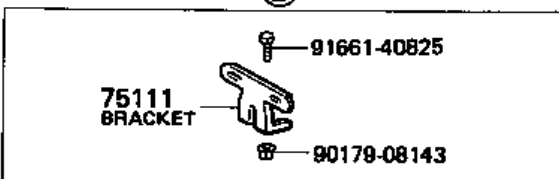
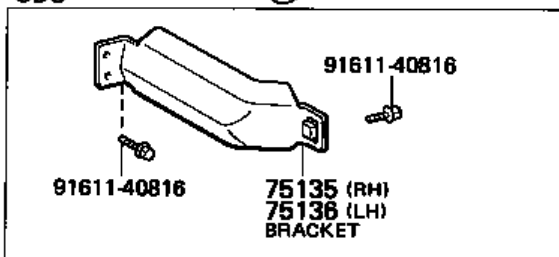




MB C610-A

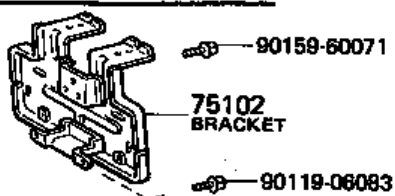


CBU

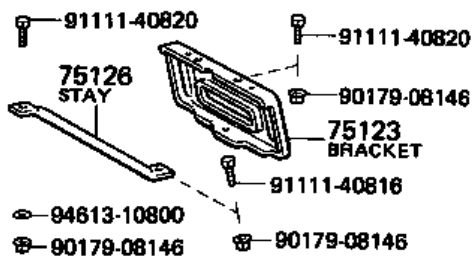


③

BJ4#, HJ47, FJ4# .. V, TP

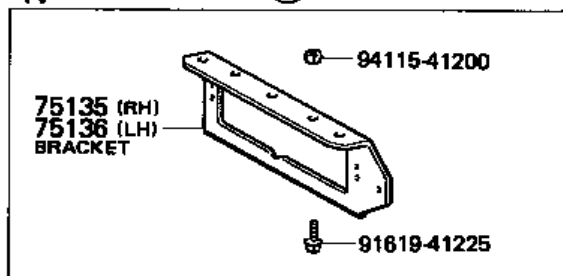


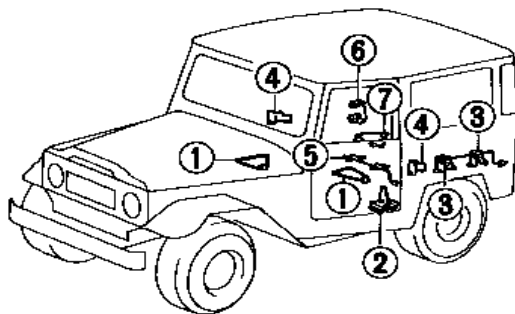
BJ45, HJ47, FJ45 .. PIC



IV

④





①

V, TP

② PIC

