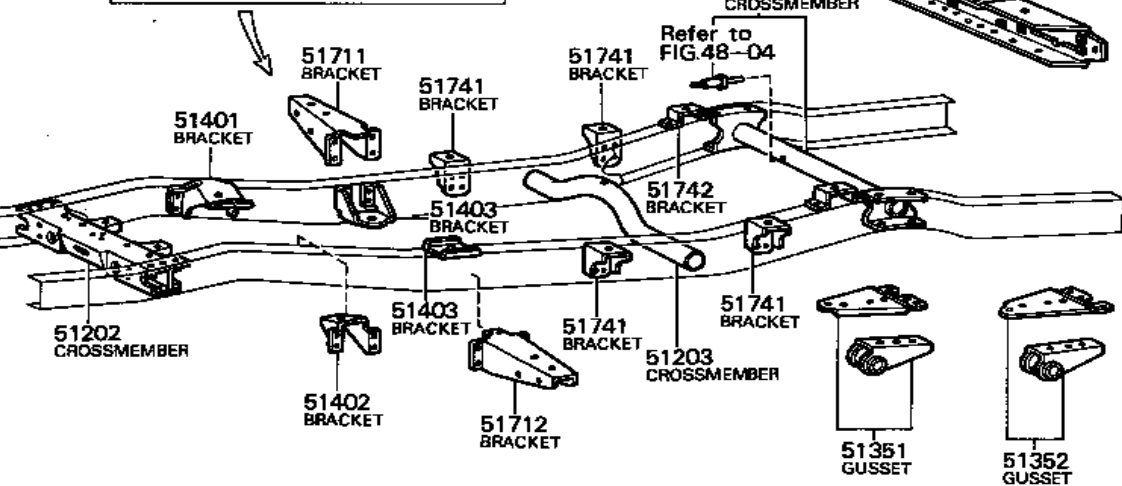
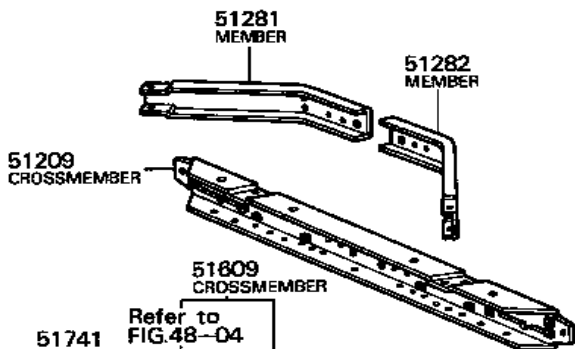
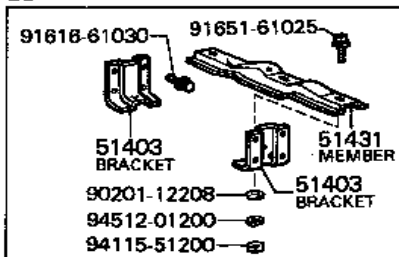
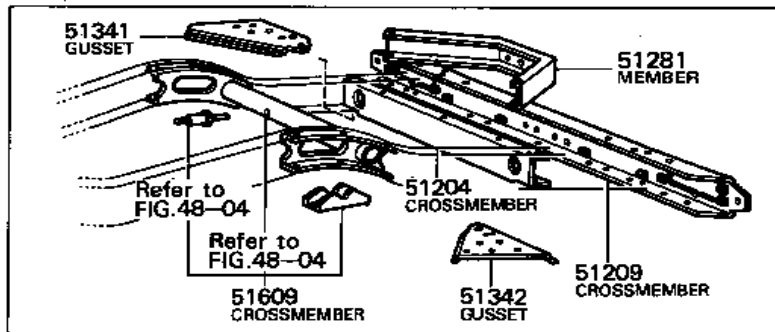
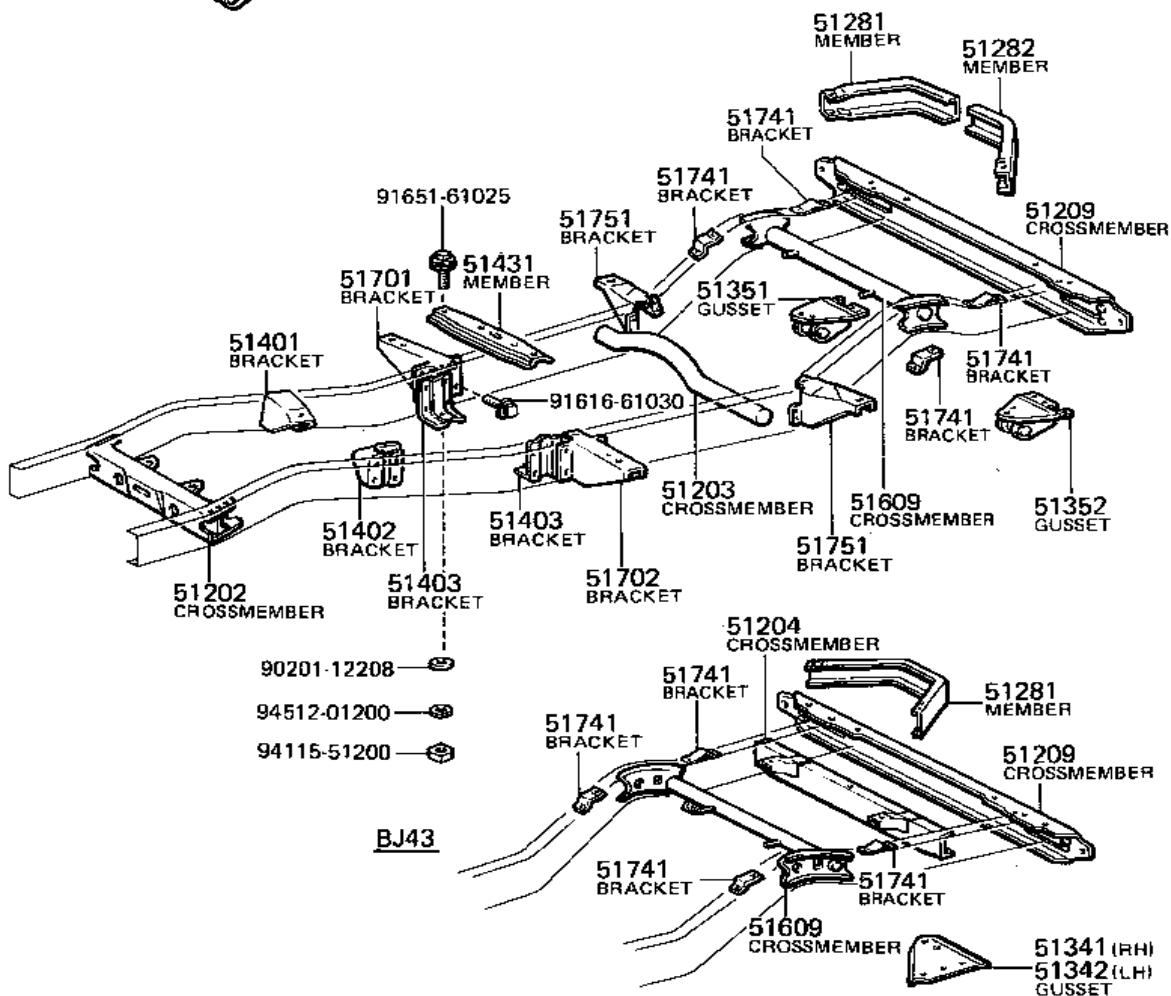
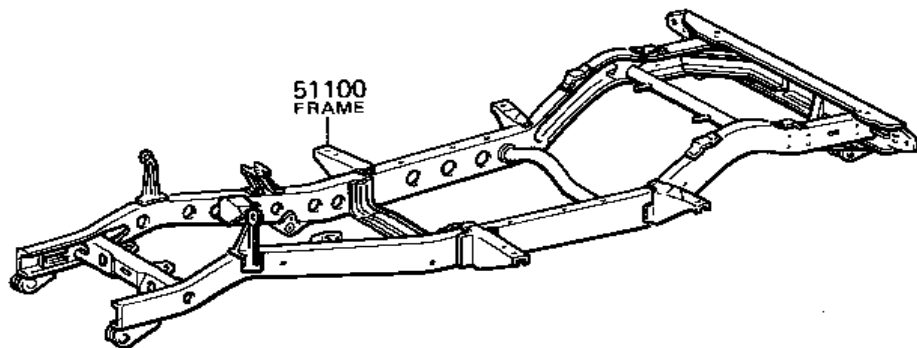


BJ

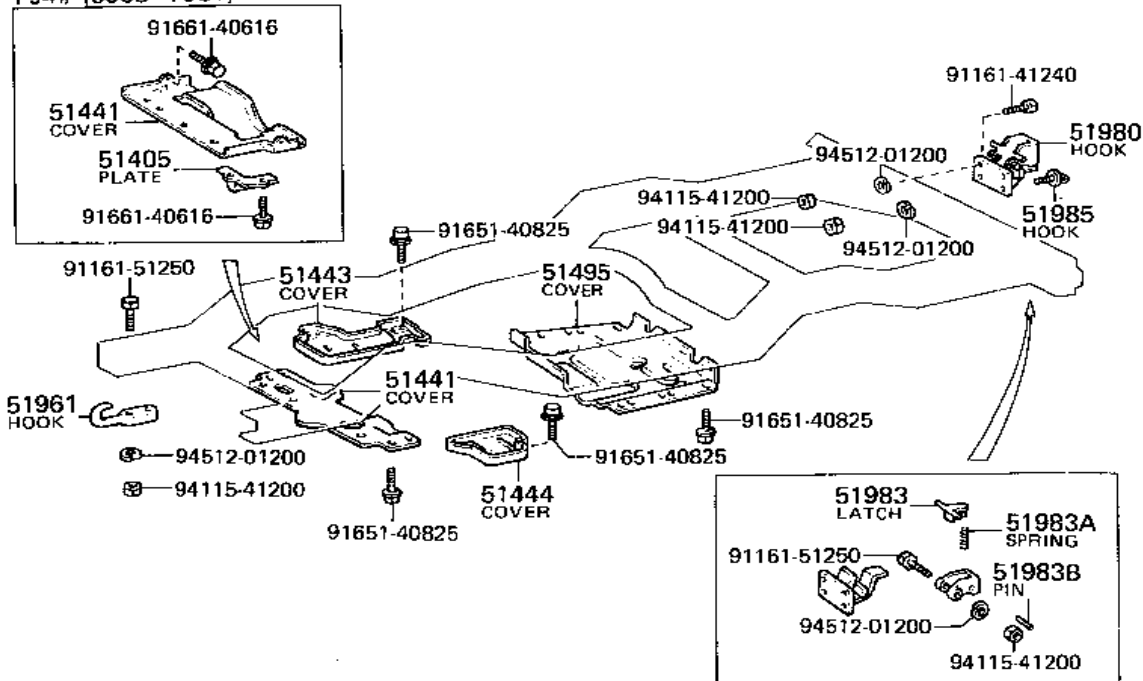


FJ43,BJ43

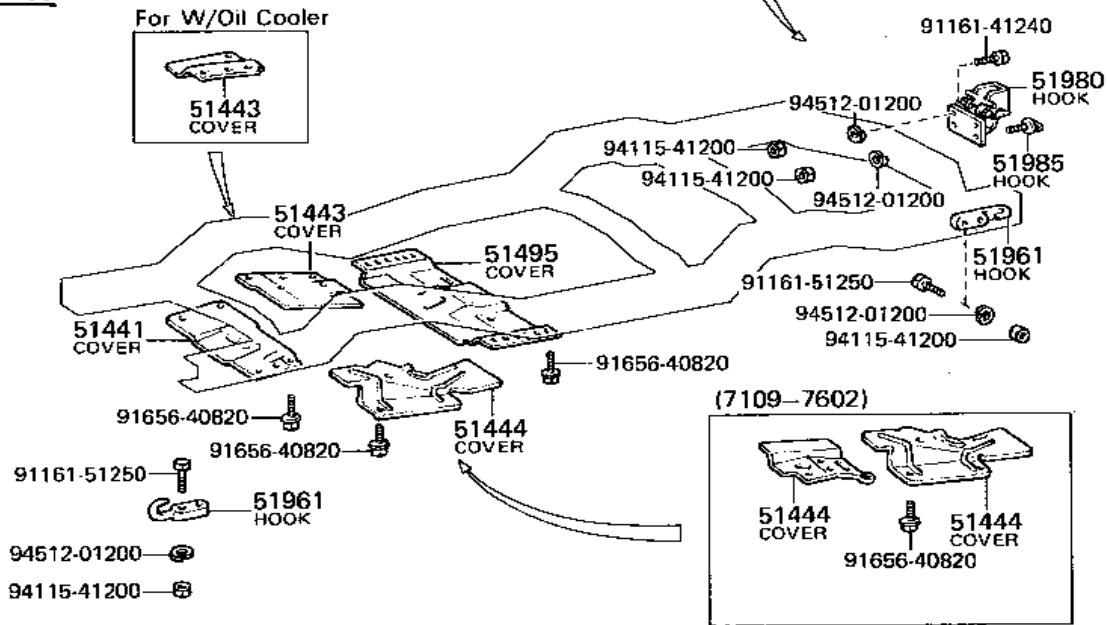




FJ4# (6903-7901)



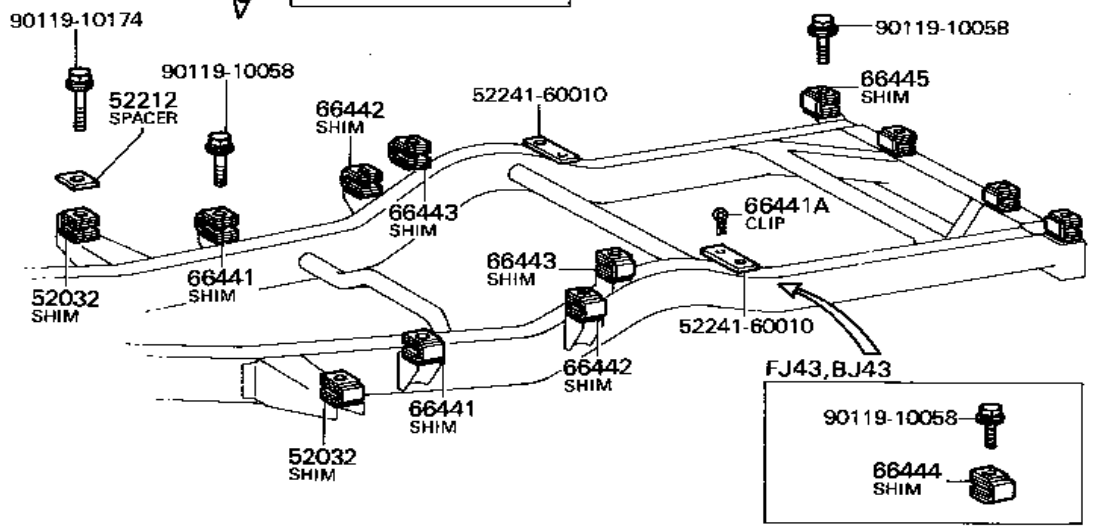
FJ55



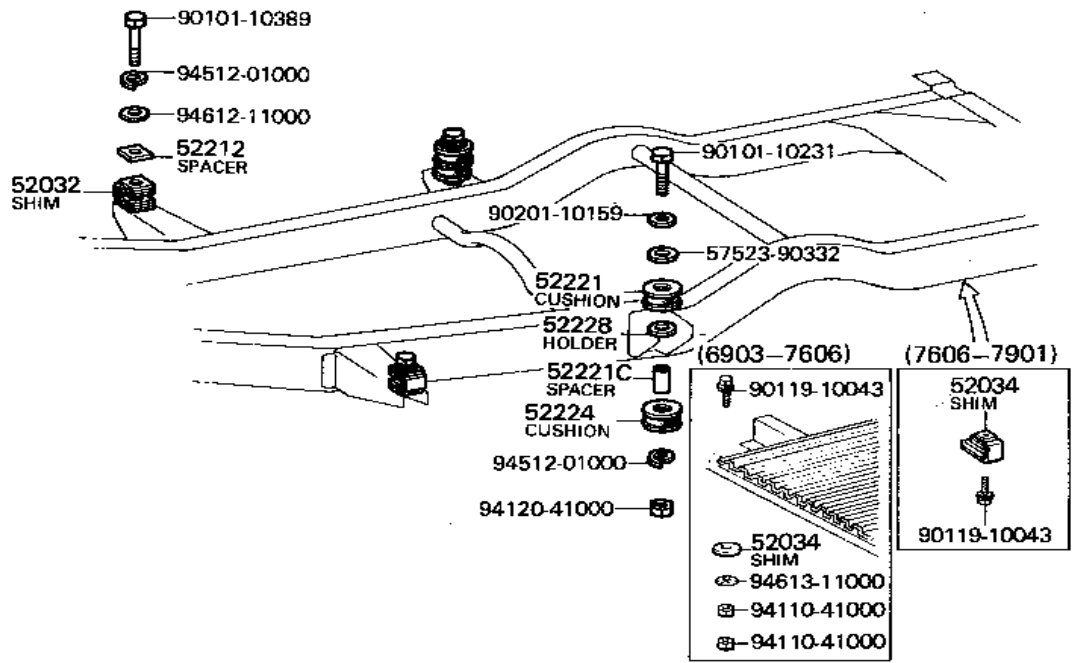
TP, V

(7204-7901)

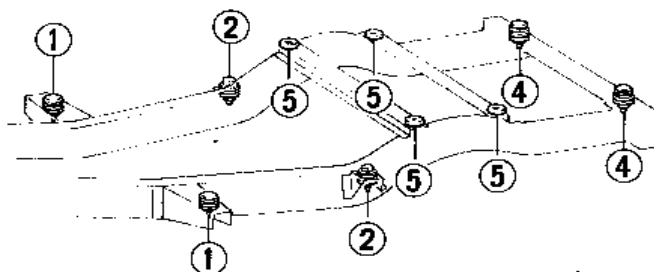
- 90101-10153
- 94531-01000
- 94612-11000
- 52212 SPACER



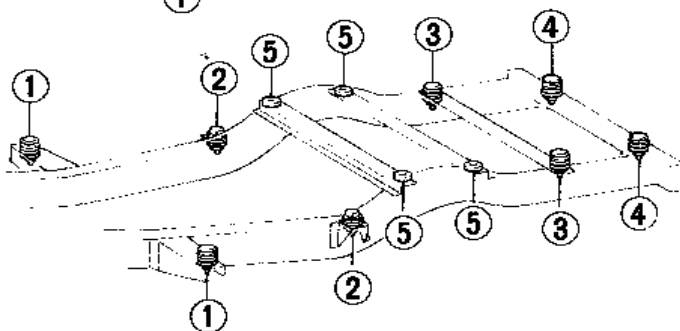
PIC



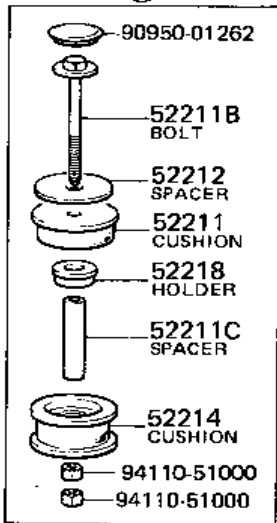
FJ40, BJ40



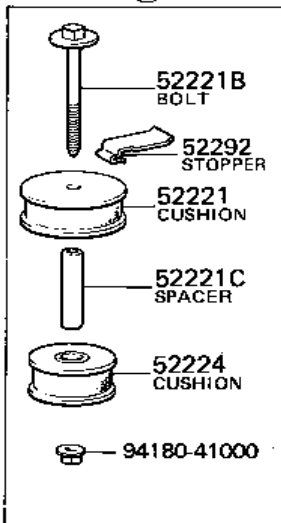
FJ43, BJ43



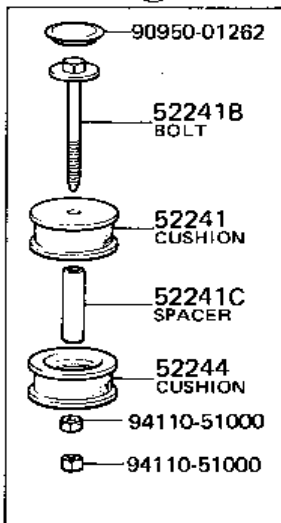
①



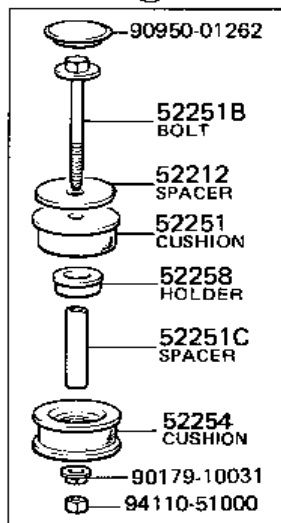
②



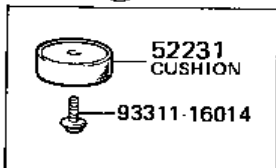
③



④

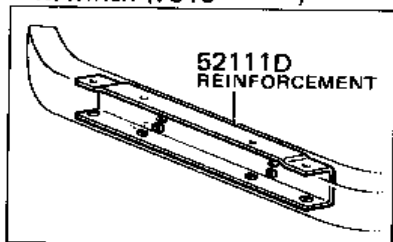
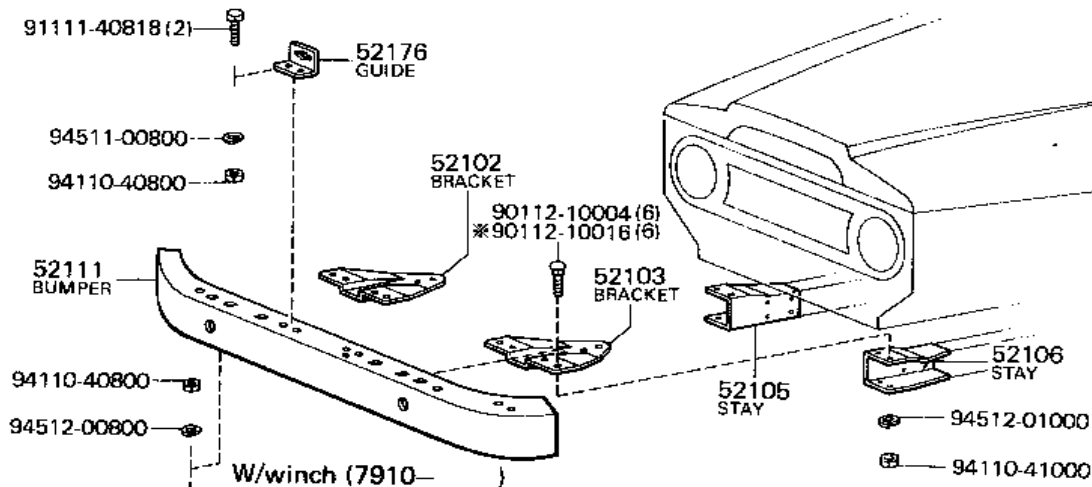


⑤



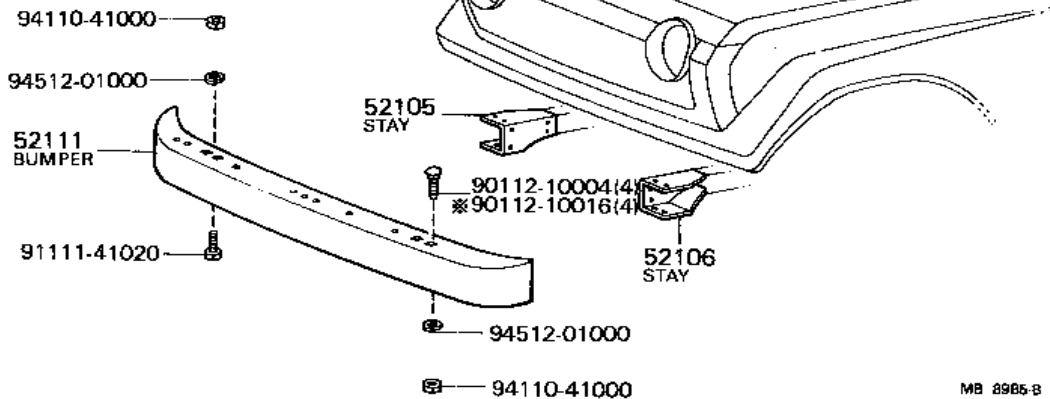
FJ4#,HJ45,BJ4#

Refer to
FIG.75-54

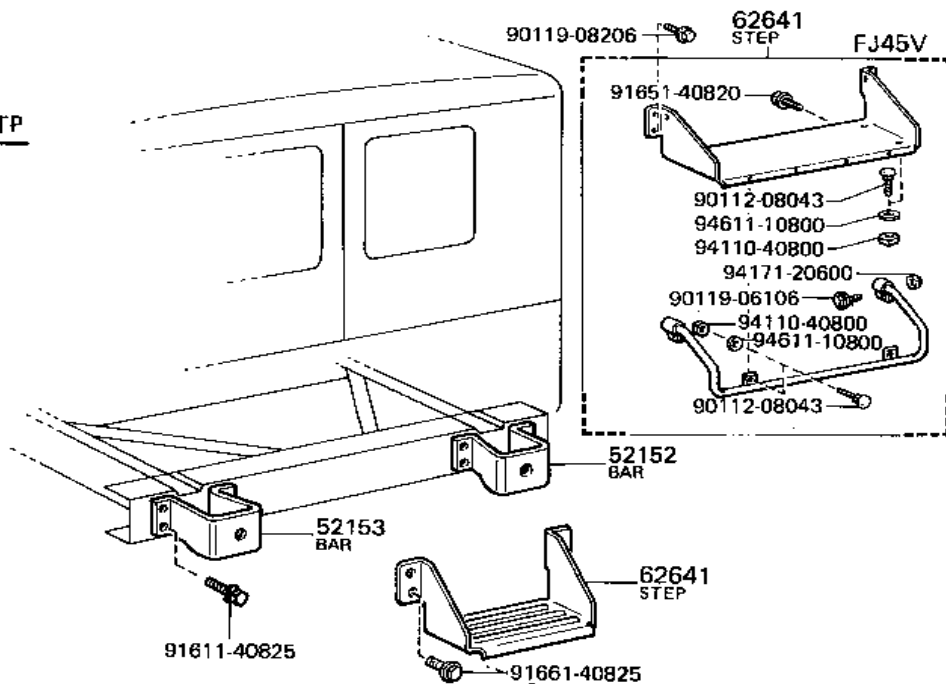


***For Chrom Plated**

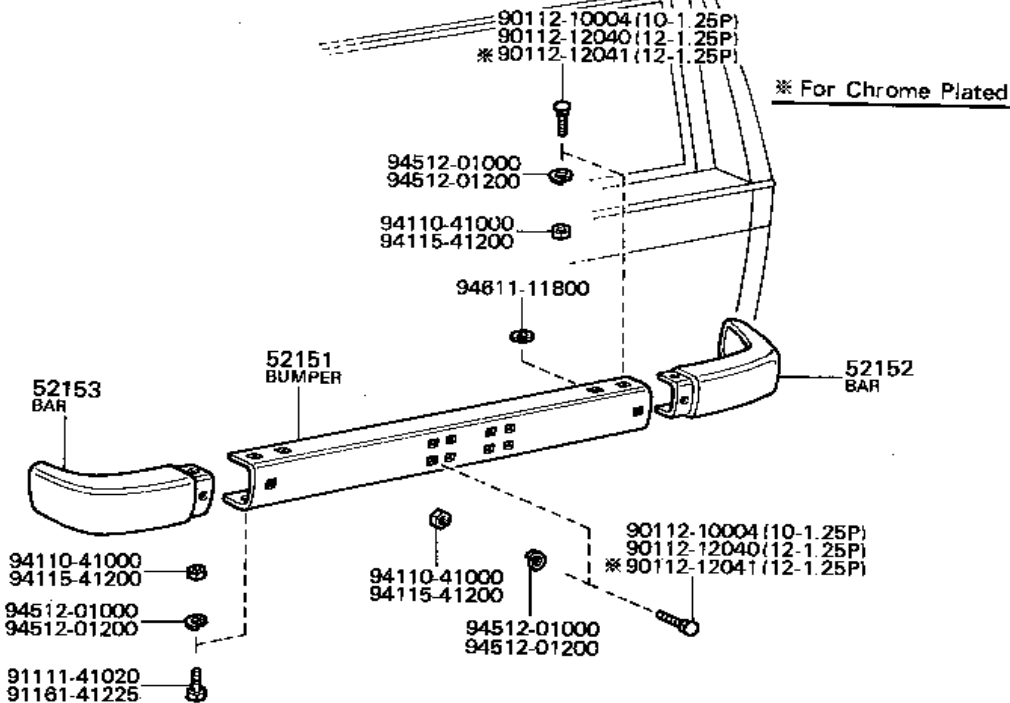
FJ55



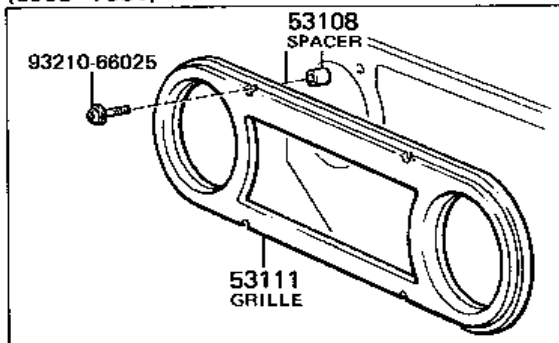
FJ4#, BJ4# . . . V, TP



FJ55

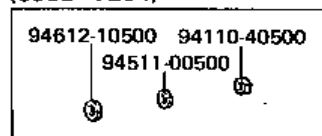


(6903-7901)



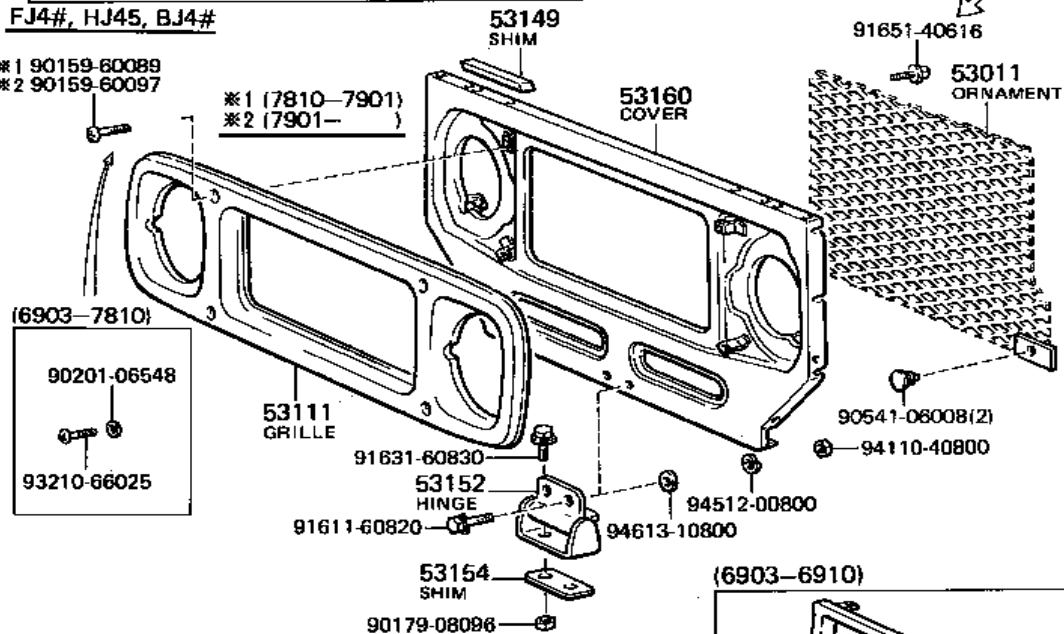
FJ4#, HJ45, BJ4#

(6903-7204)

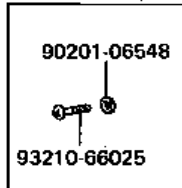


※1 90159-60089
※2 90159-60097

※1 (7810-7901)
※2 (7901-)



(6903-7810)



53111 GRILLE

91631-60830

53152 HINGE

91611-60820

53154 SHIM

90179-08096

53160 COVER

91651-40616

53011 ORNAMENT

90541-06008(2)

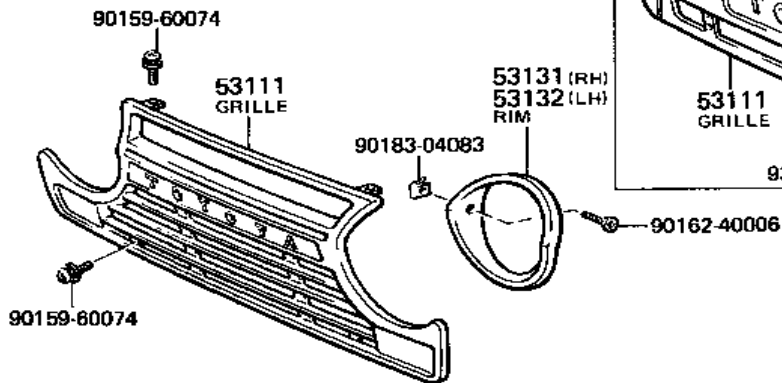
94110-40800

94512-00800

94613-10800

(6903-6910)

FJ55



90159-60074

53111 GRILLE

53131 (RH)
53132 (LH)
RIM

90183-04083

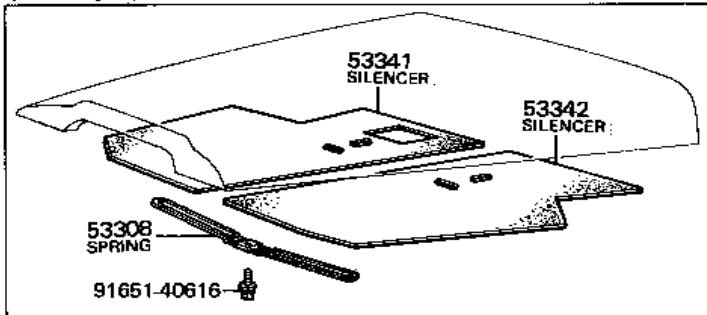
53111 GRILLE

93240-16014

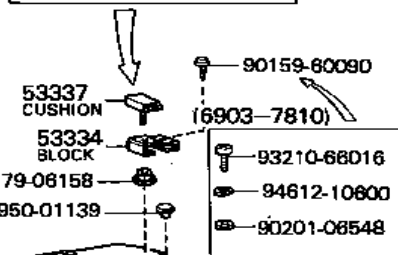
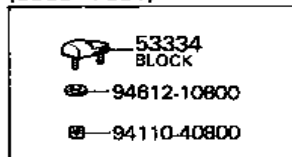
90162-40006

90159-60074

(7402-7610)

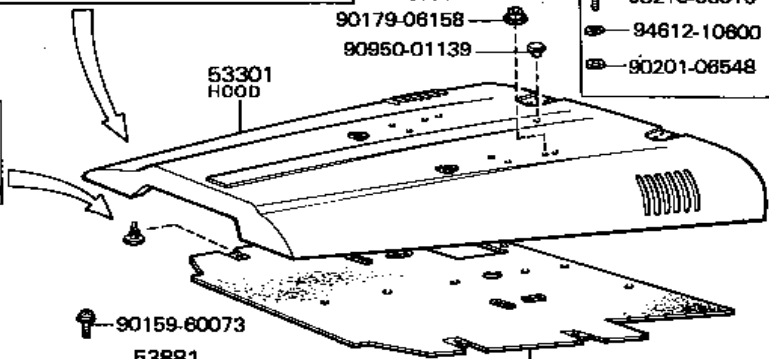
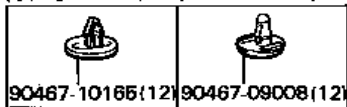


(6903-7501)

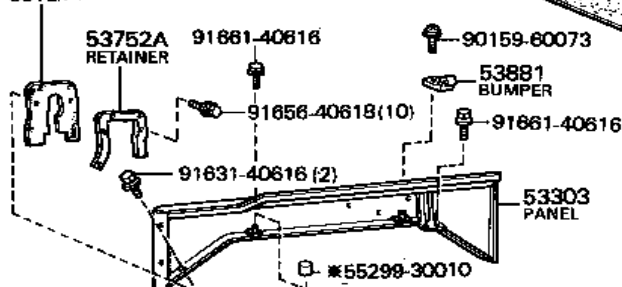


(6903-7909)

(7909-)



53752 COVER



53801 FENDER

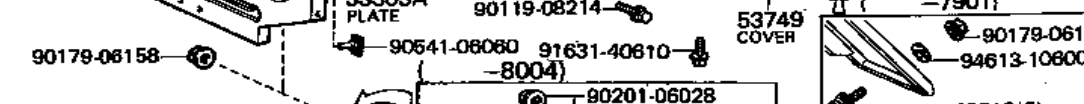


90179-08194

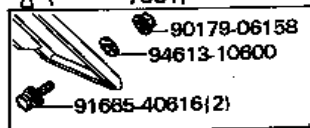
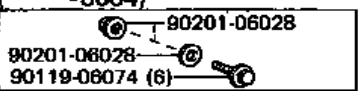
53801 FENDER

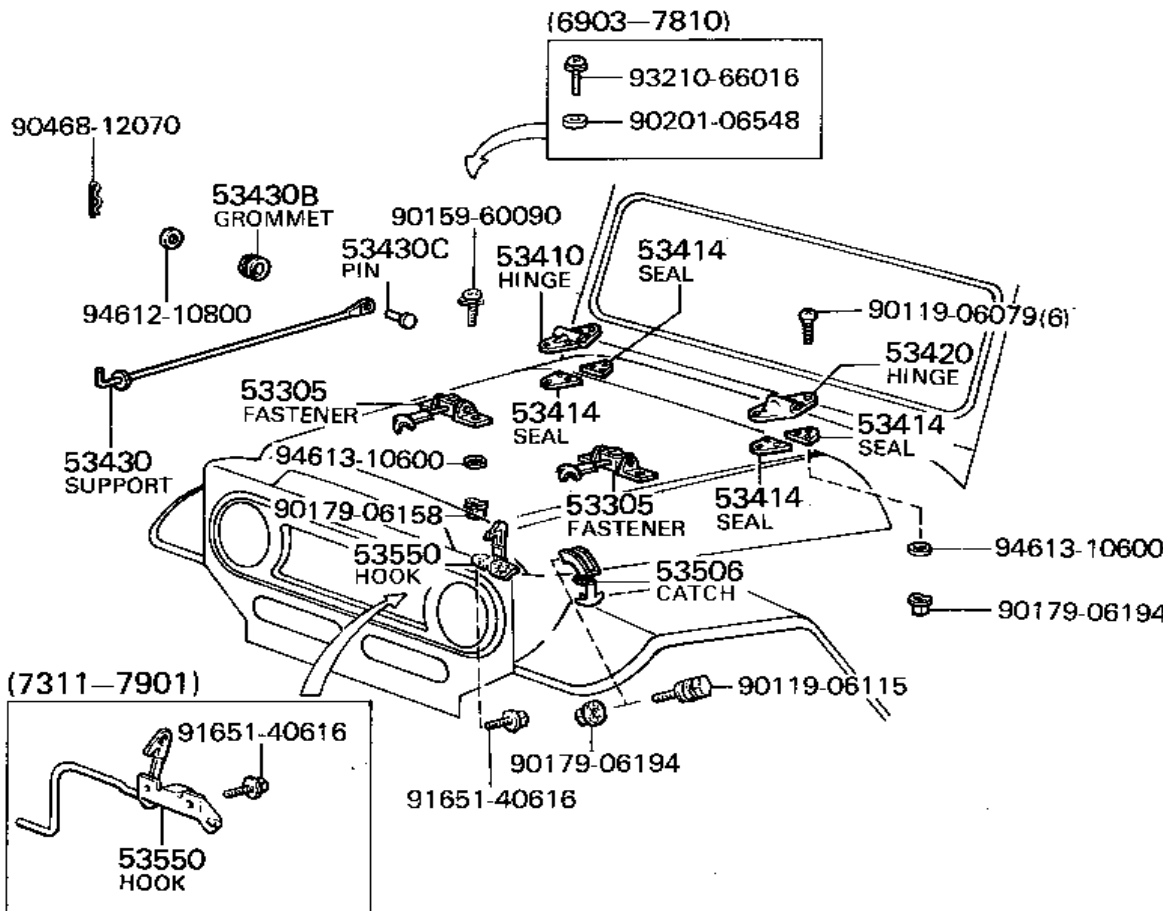


Refer to FIG. 53-51

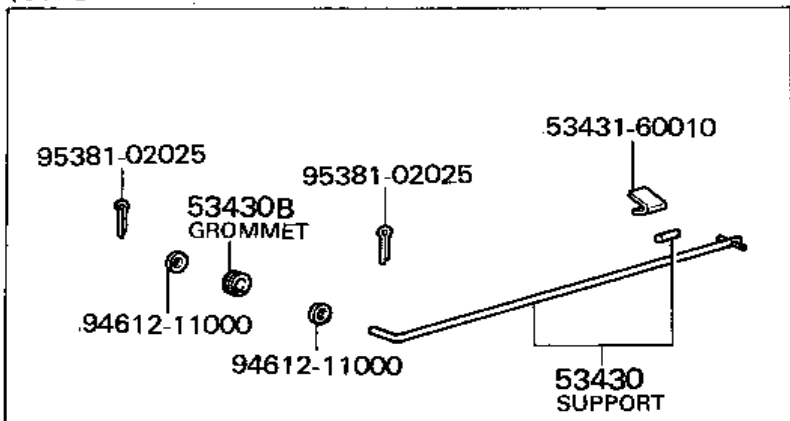


90119-06074(6)

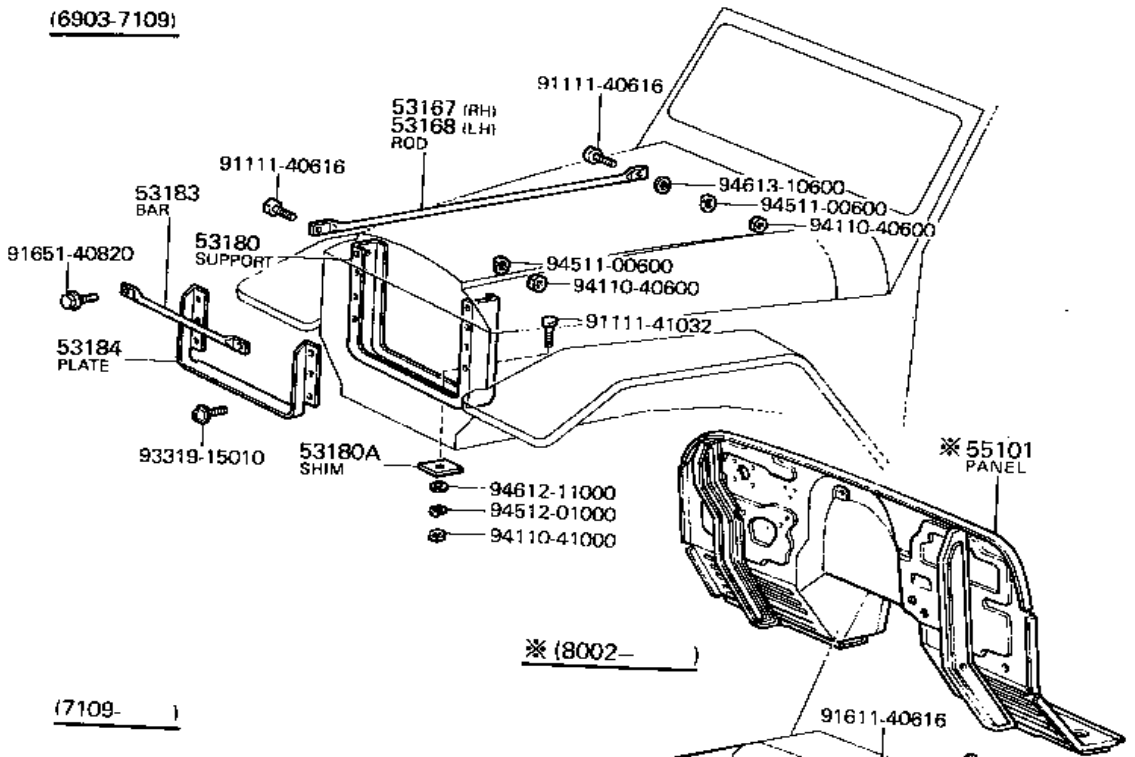




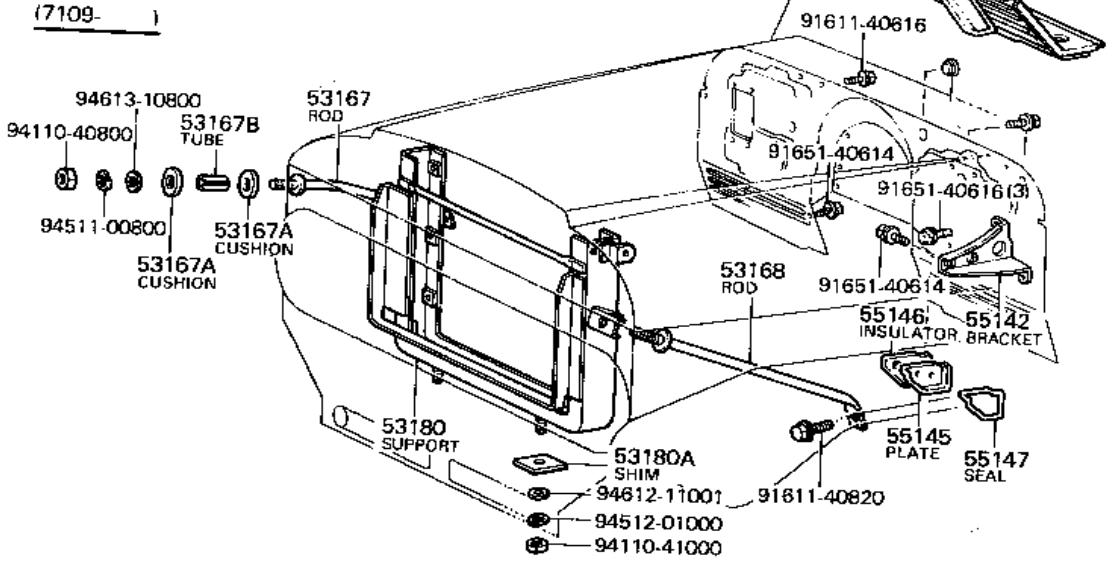
(6903-7109)



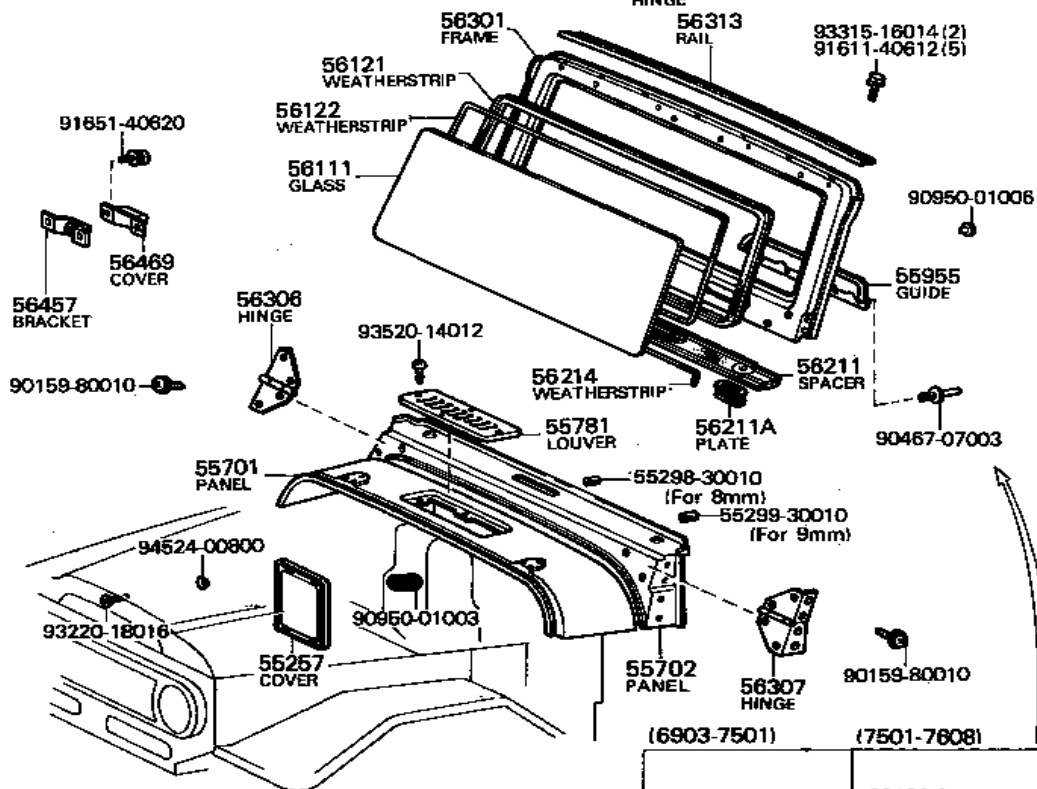
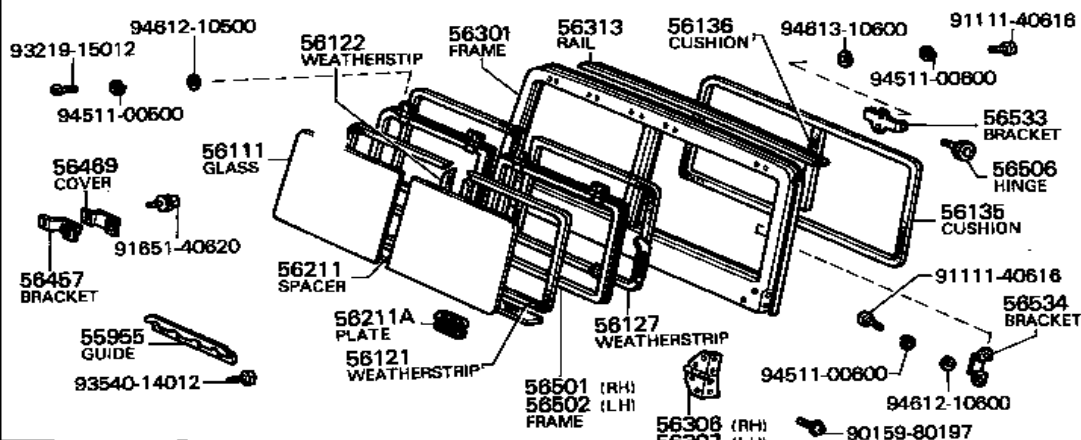
(6903-7109)



(7109-)

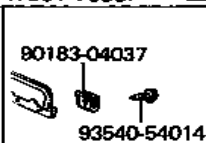
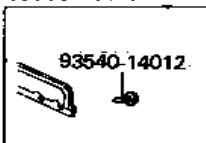


Hinged Windshield (6903-7709)

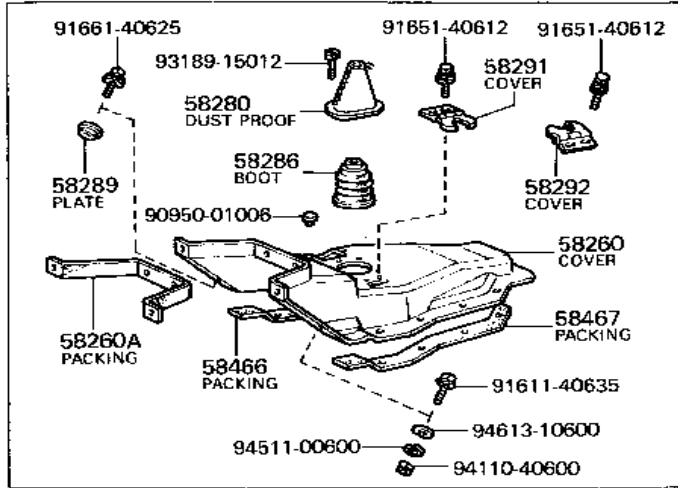


(6903-7501)

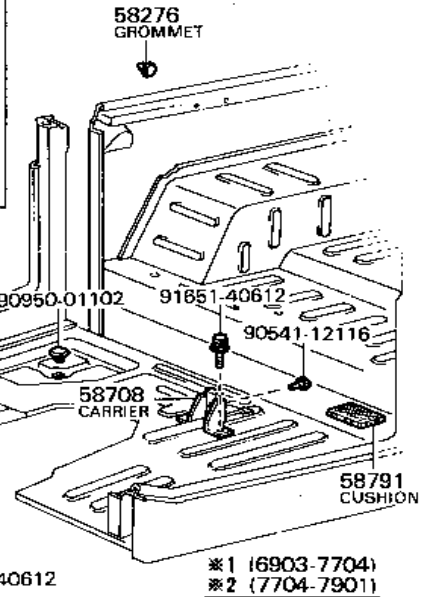
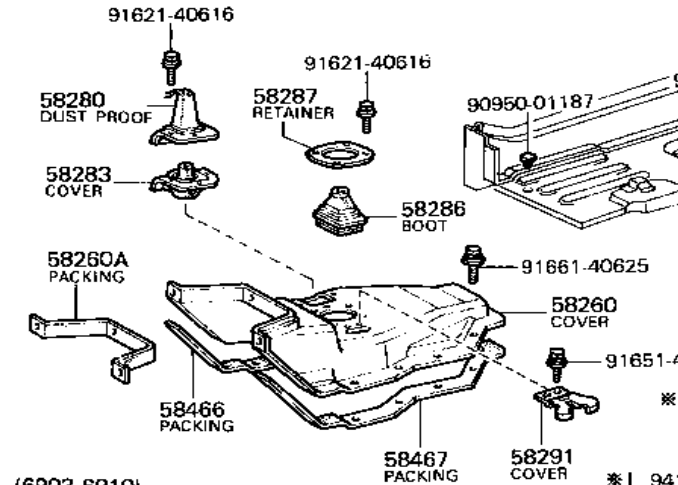
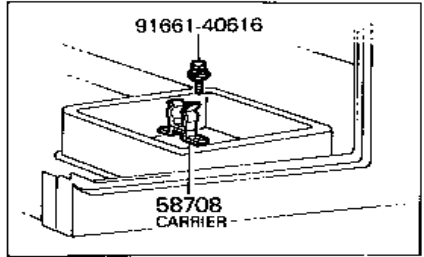
(7501-7608)



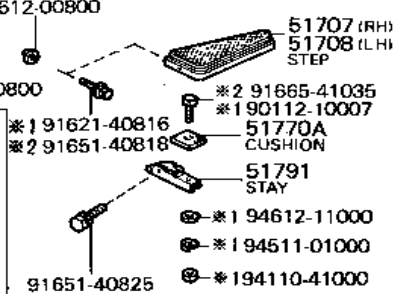
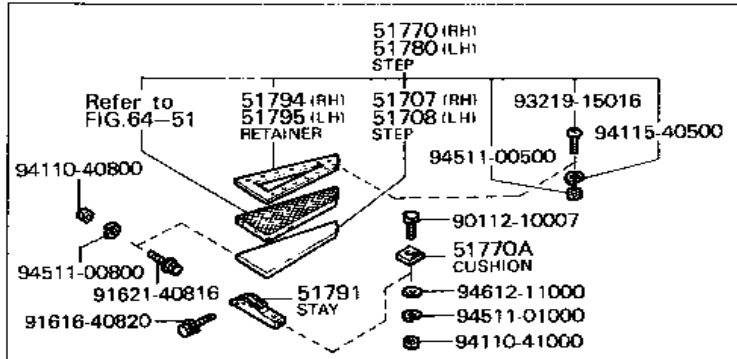
(6903-7209)



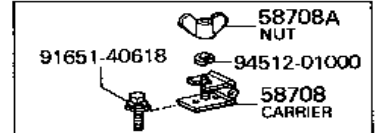
(6903-7209)

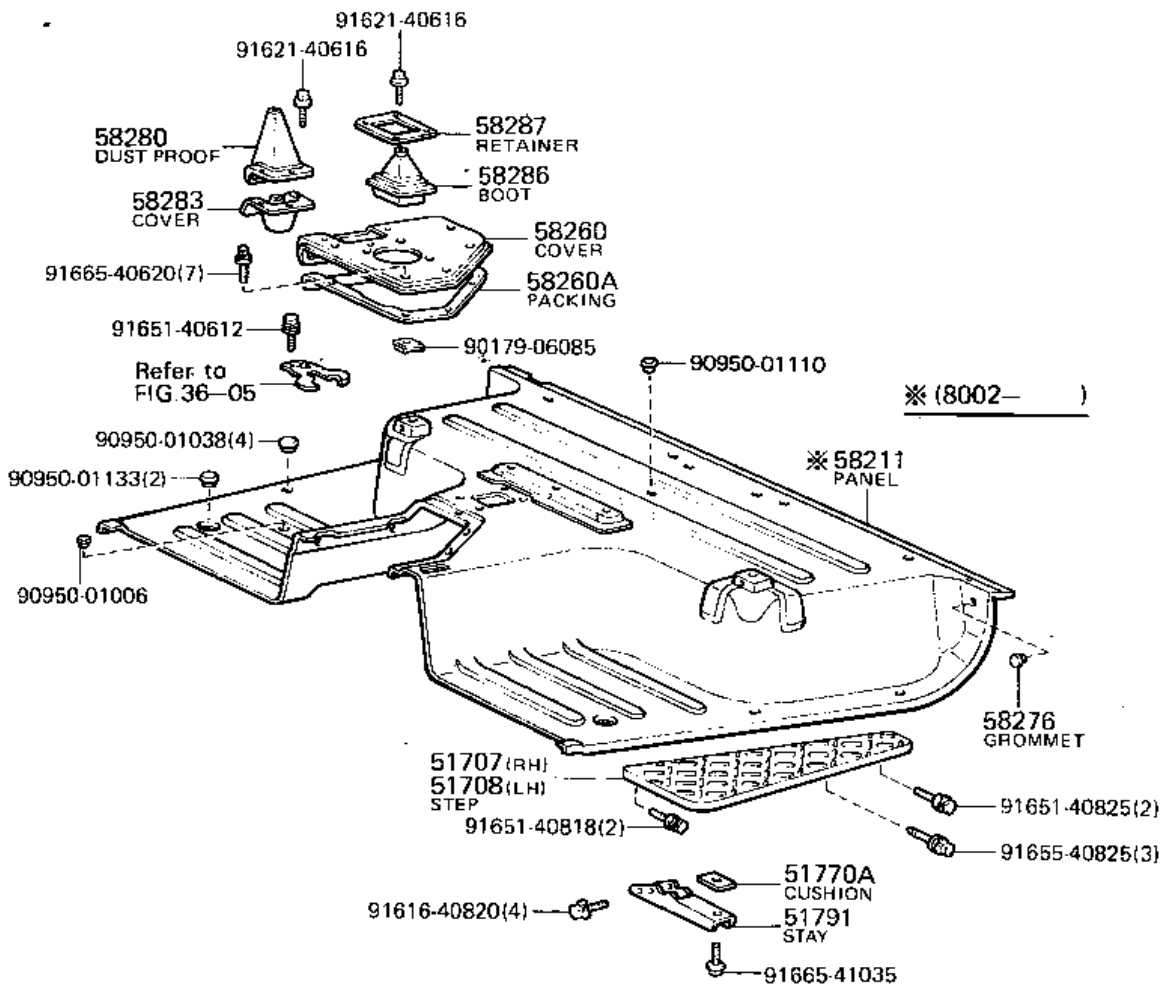


(6903-6910)

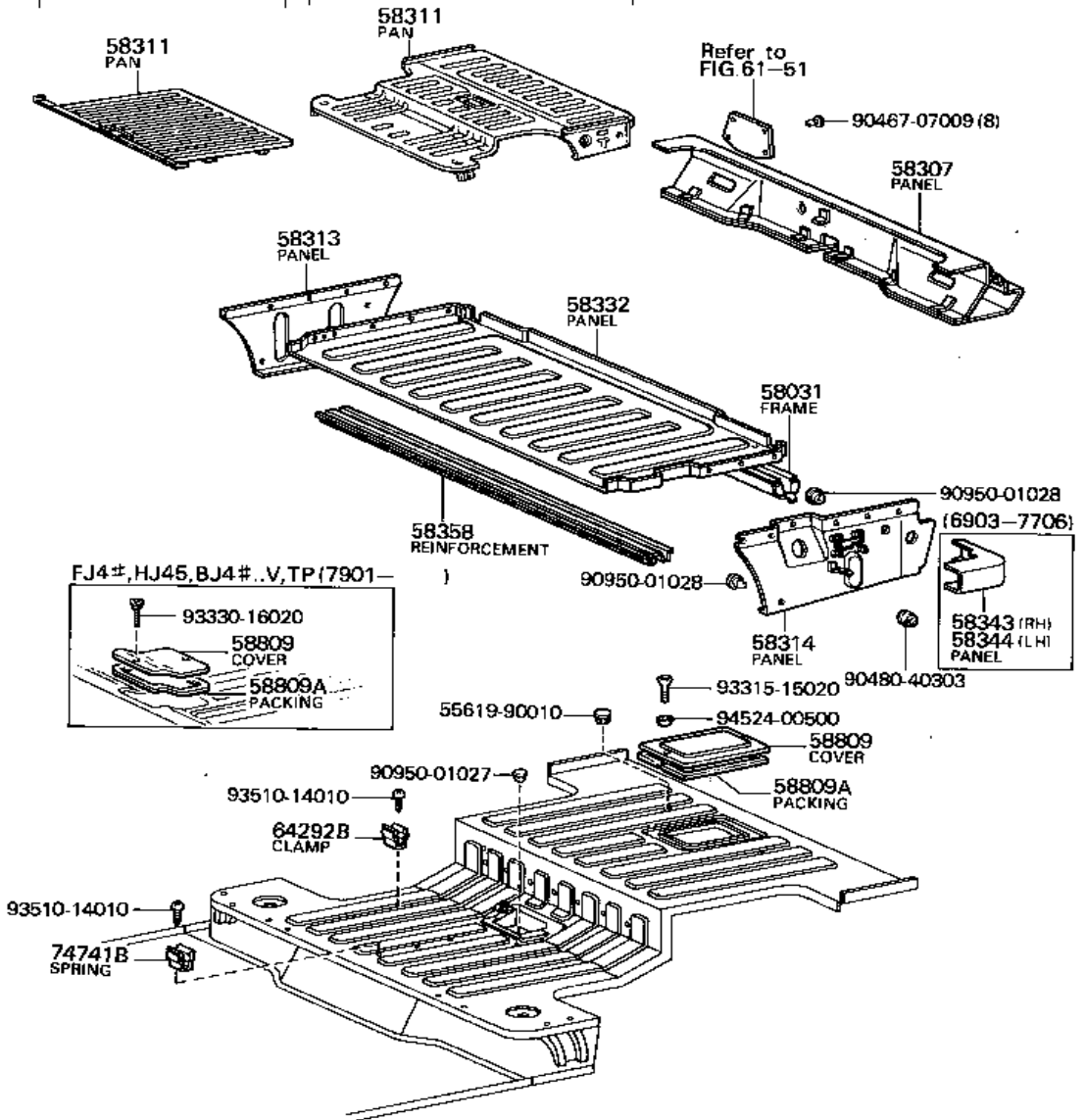


FJ45, HJ45

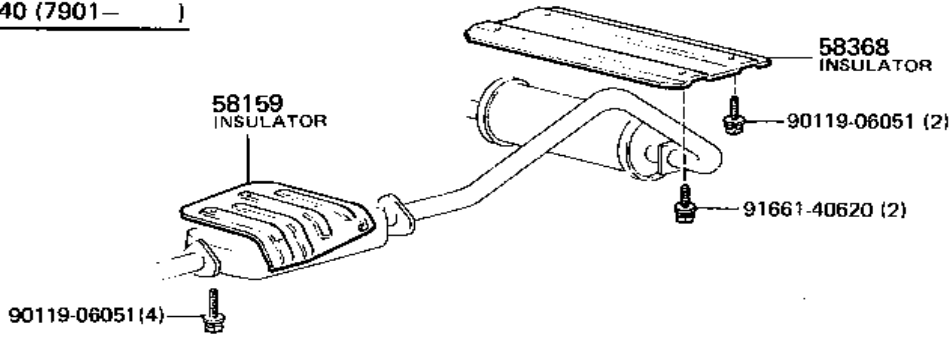




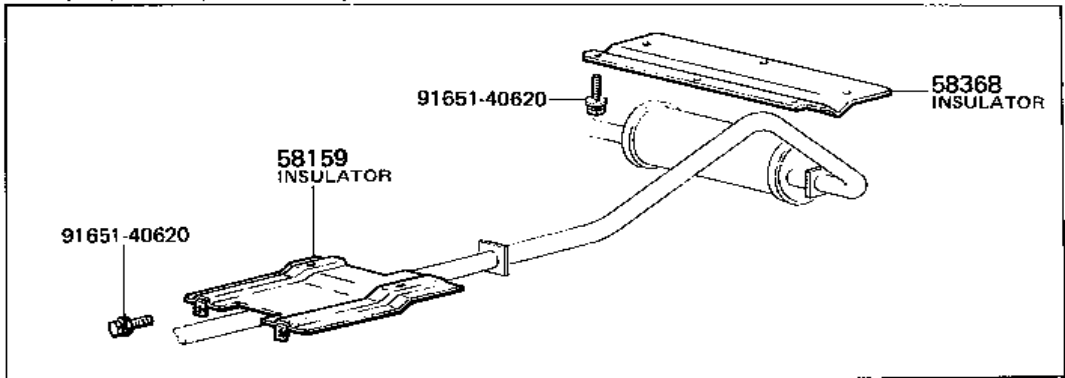
FJ4#, HJ45,
 BJ4# . . . -Pic (8002-) FJ55 (8002-)



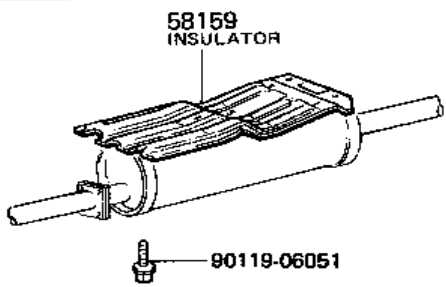
FJ40 (7901-)



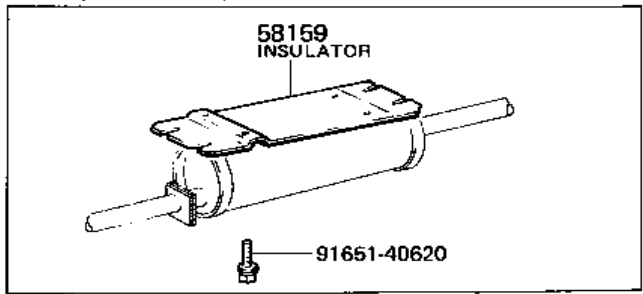
FJ40, 43, BJ4# (7501-7901)



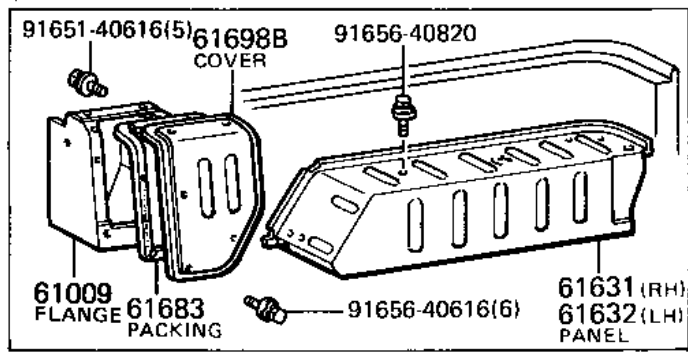
FJ45, HJ45, V, TP (7901-)



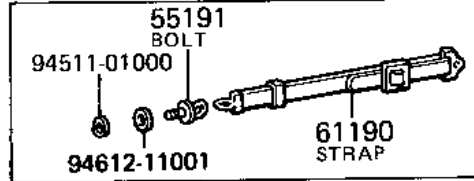
FJ45 (7606-7901)



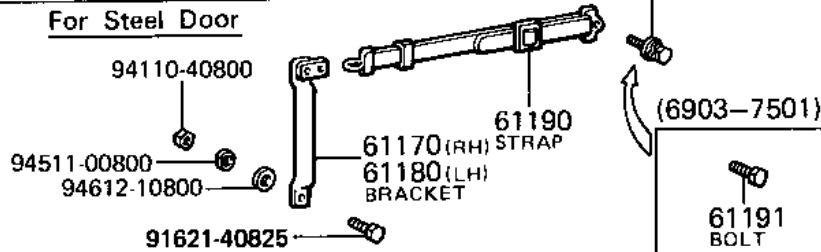
(7901-)



For Canvas Door

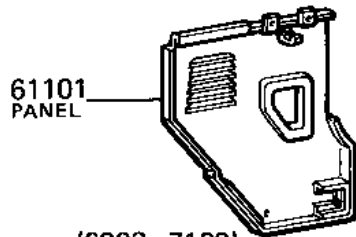


For Steel Door

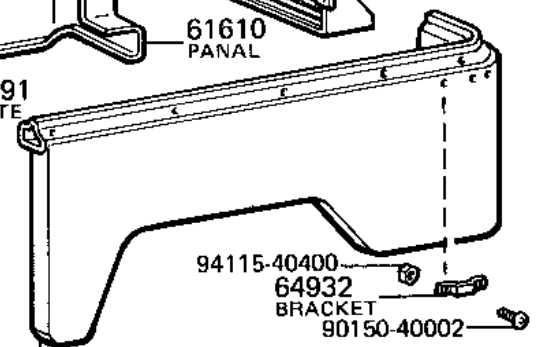
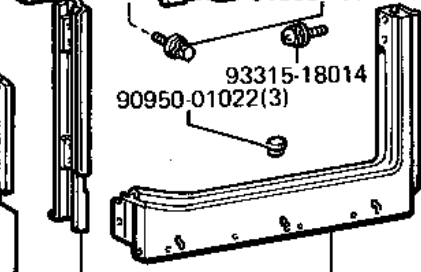
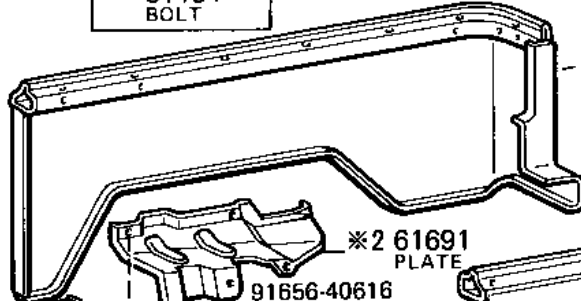
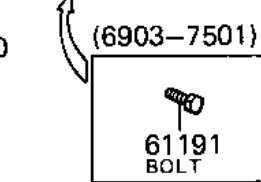
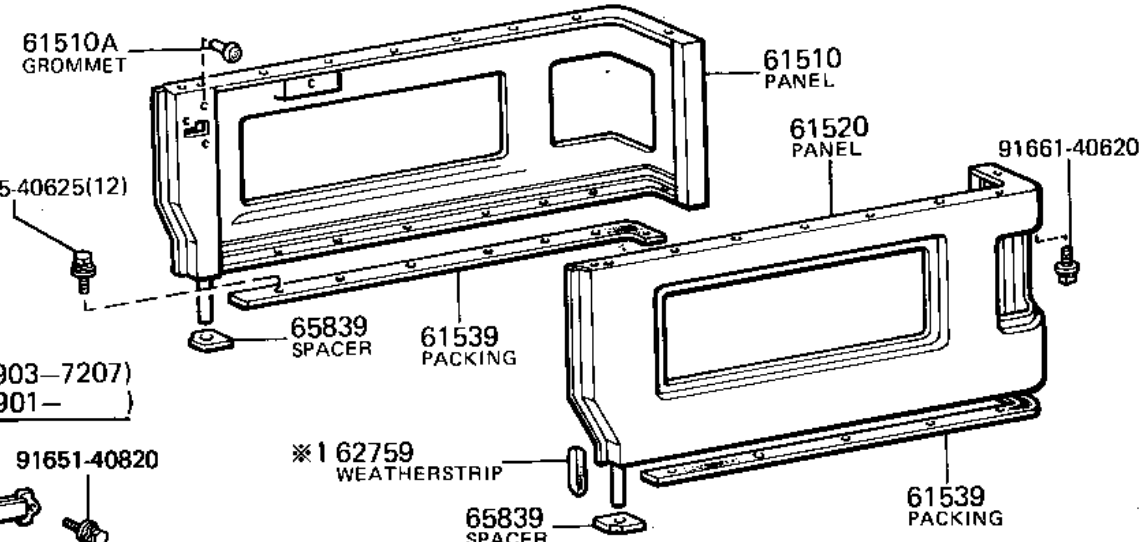
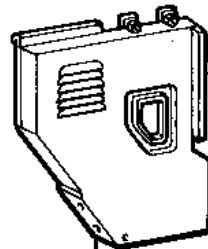
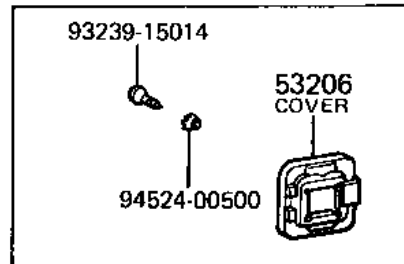


*1 (6903-7207)
*2 (7901-)

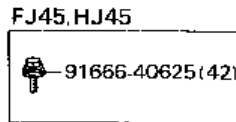
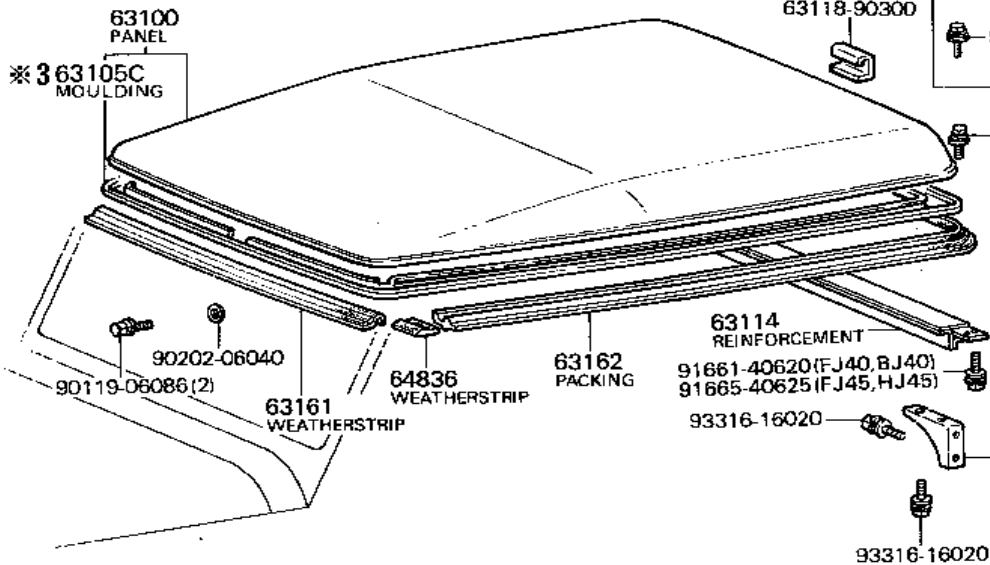
91651-40820



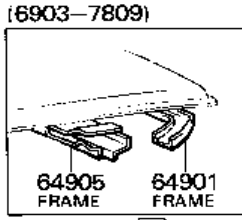
(6903-7109)



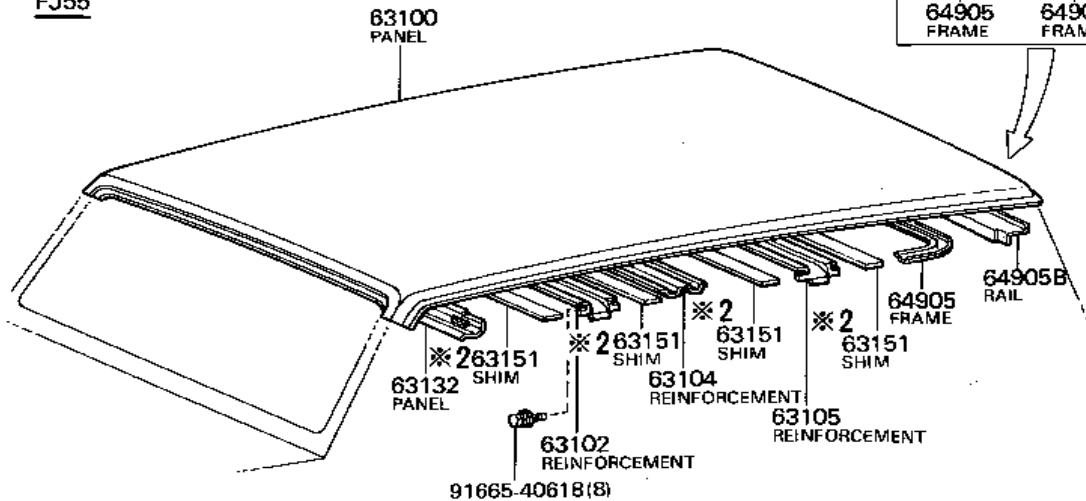
FJ40,45,HJ45,BJ40

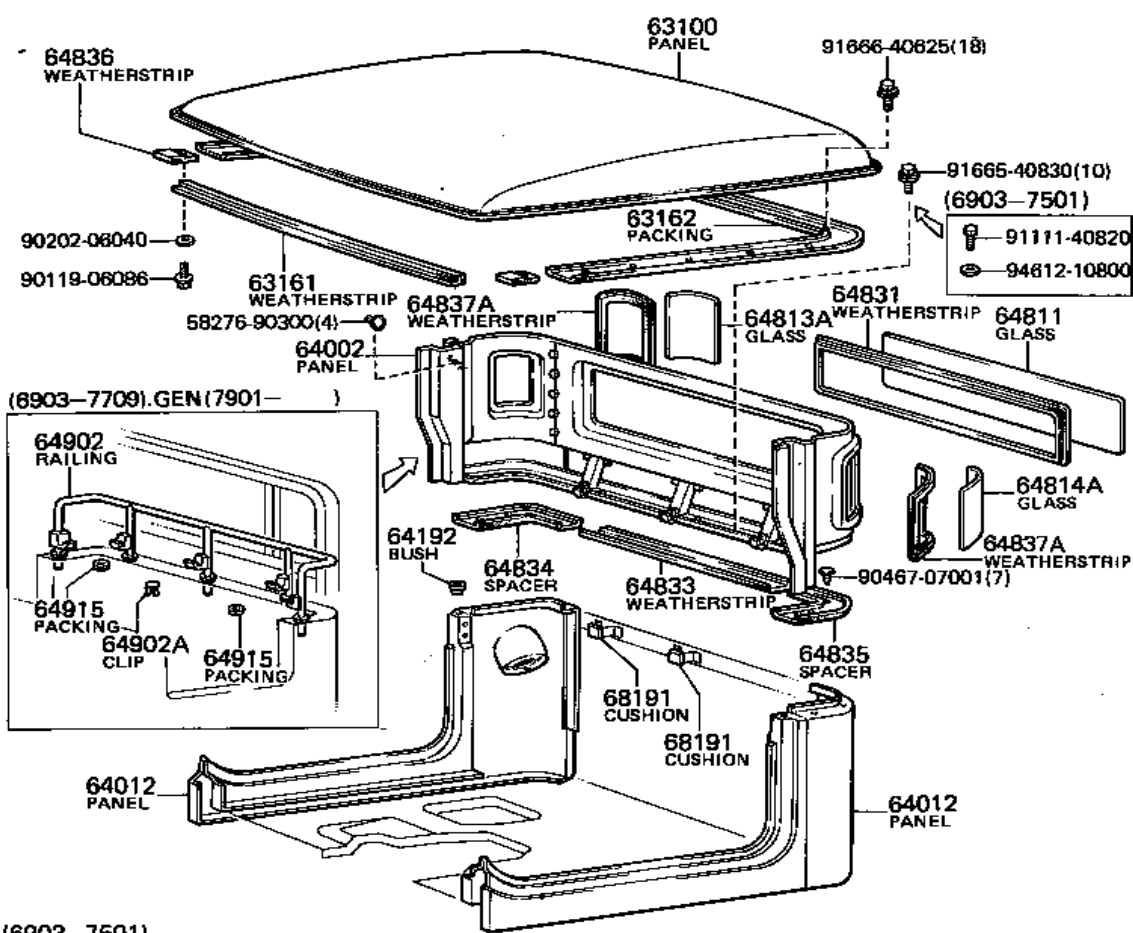


- *1 (6903-7904)
- *2 (6903-7811)
- *3 FJ40, BJ40 . . . ARL, EUR (7709-)

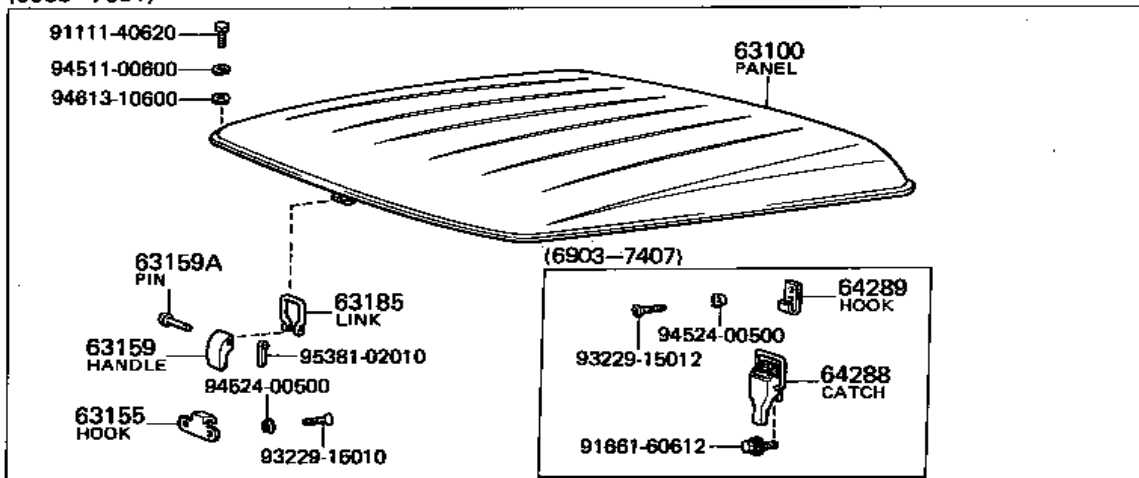


FJ55

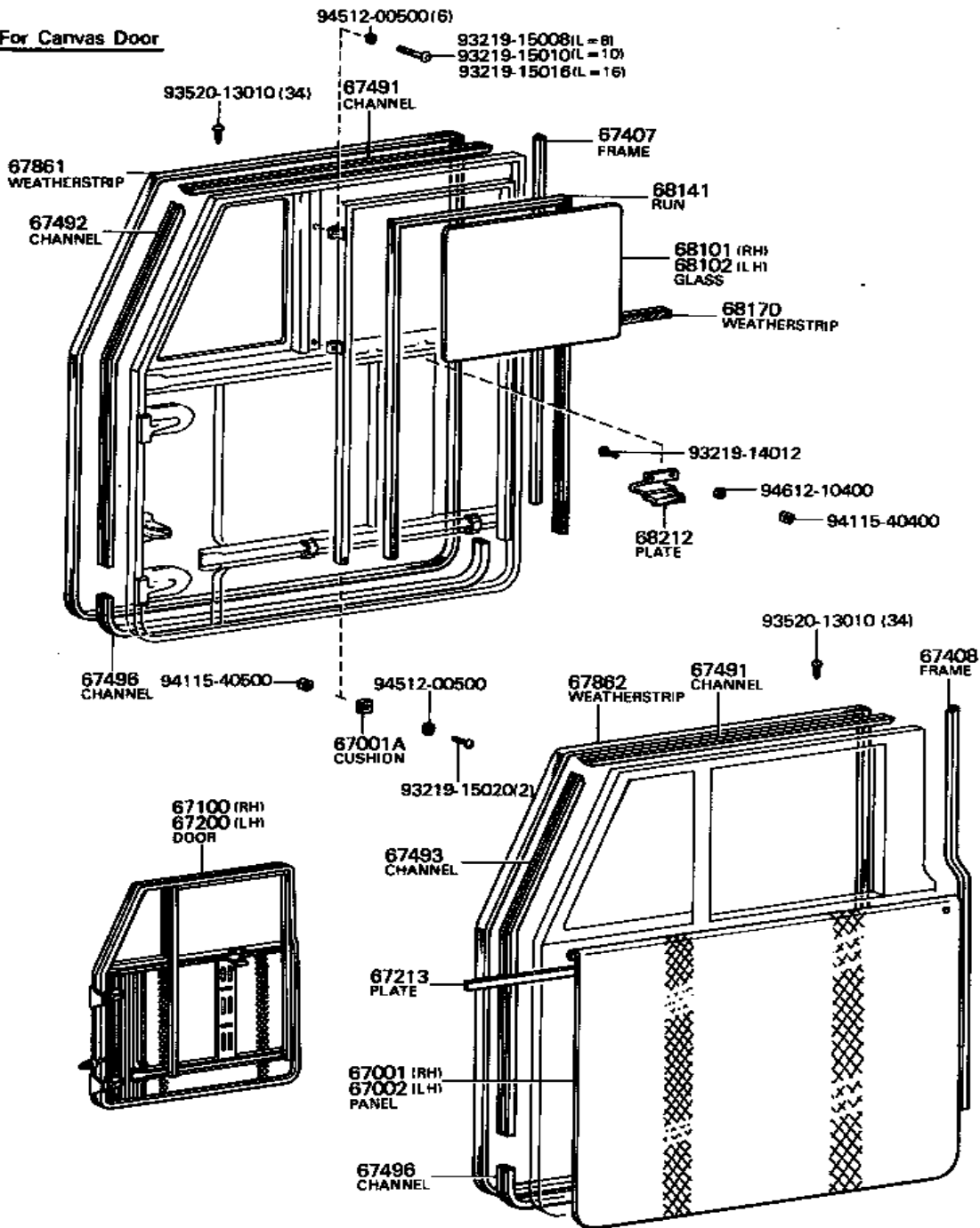




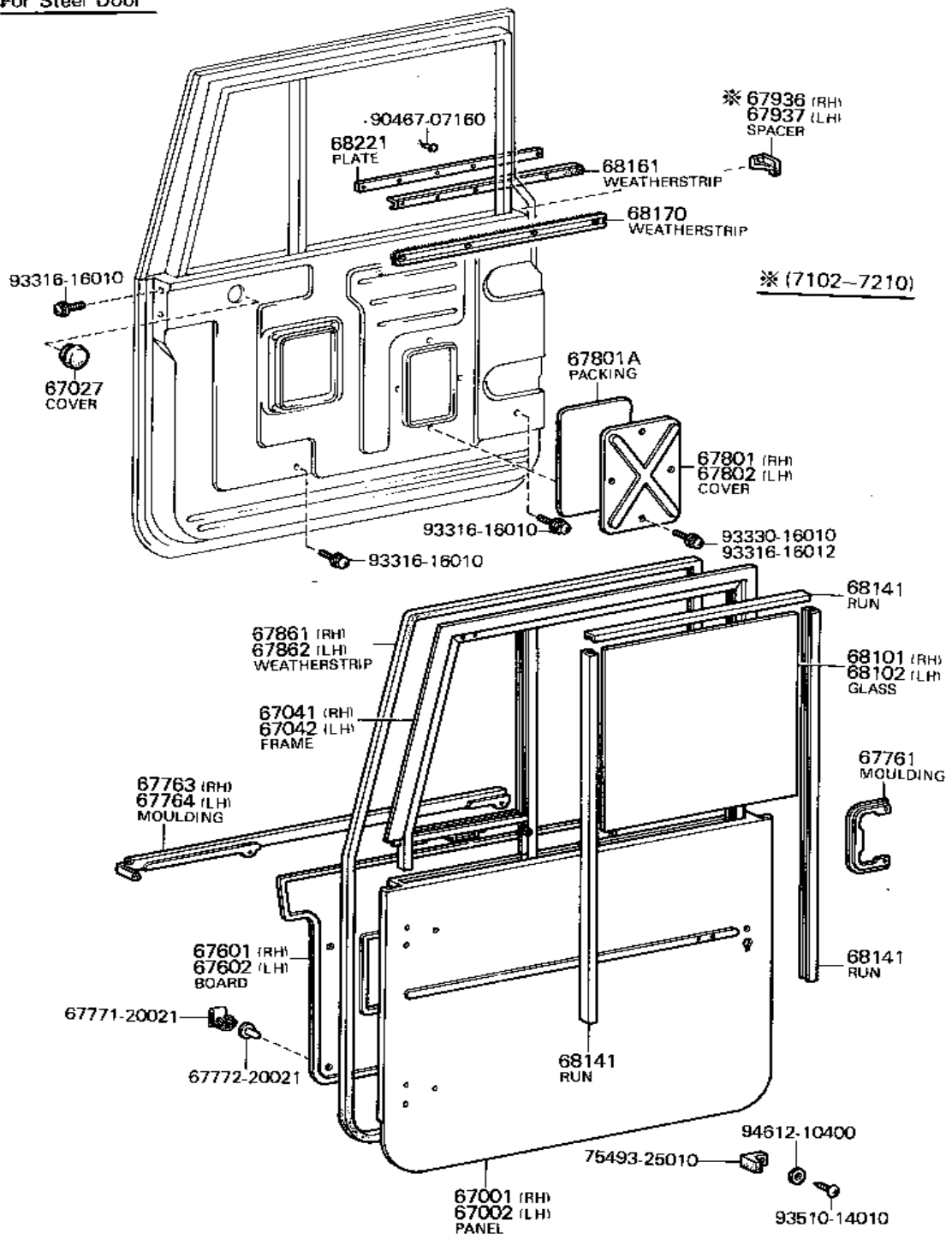
(6903-7501)



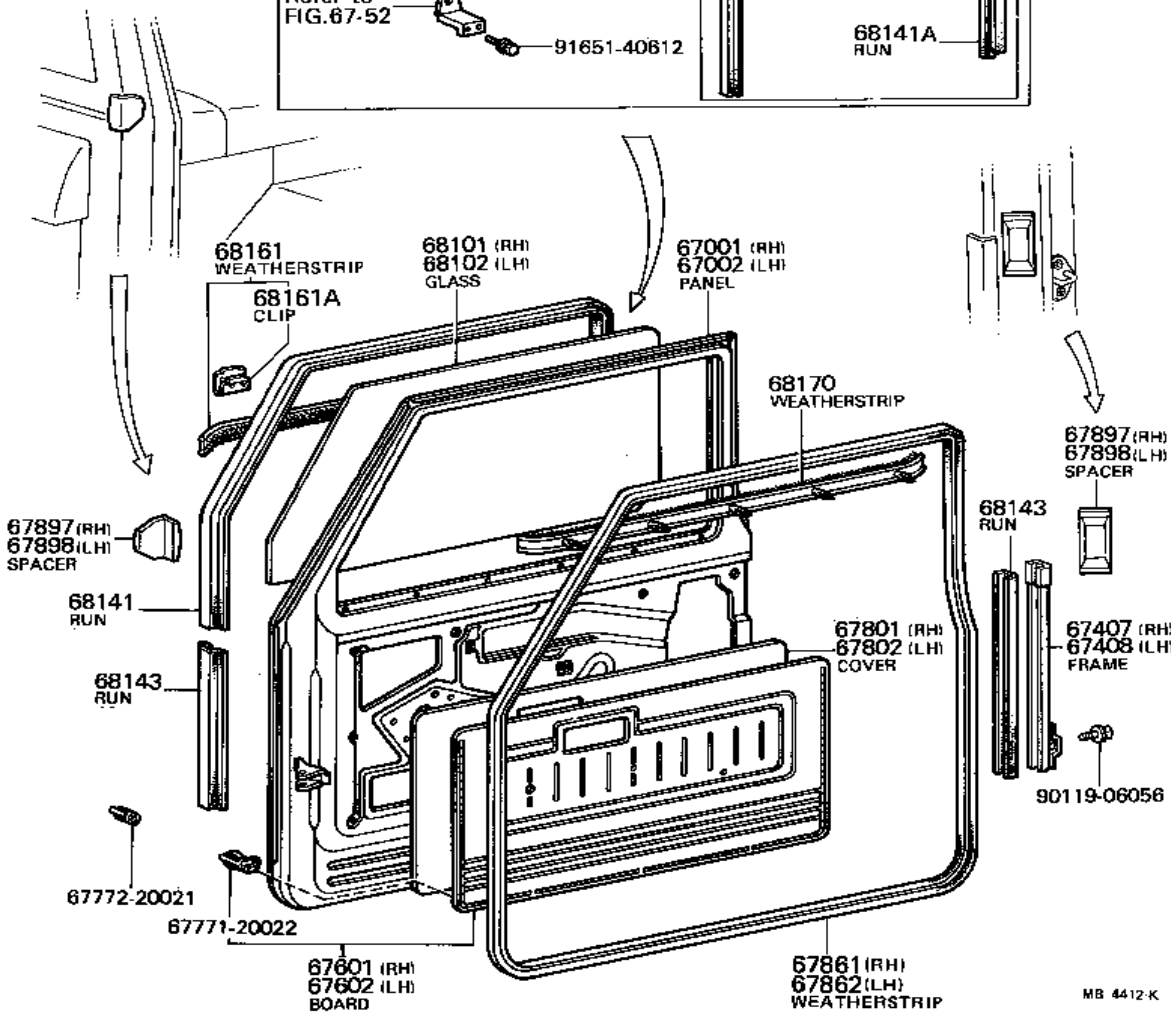
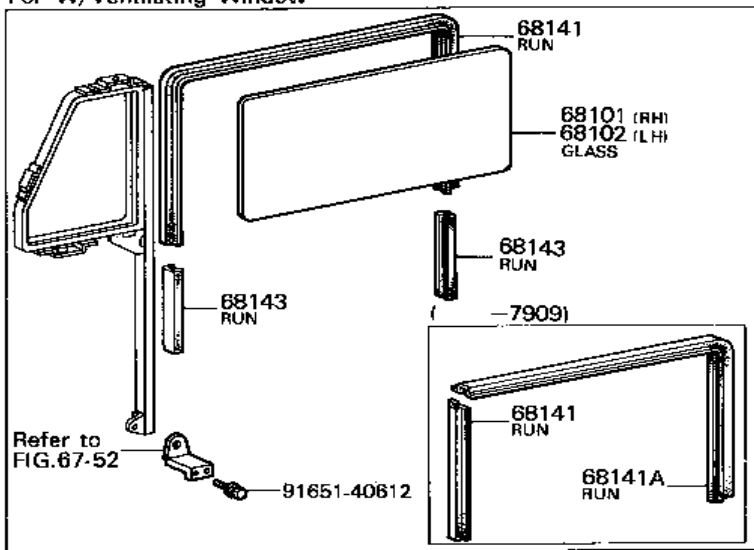
For Canvas Door



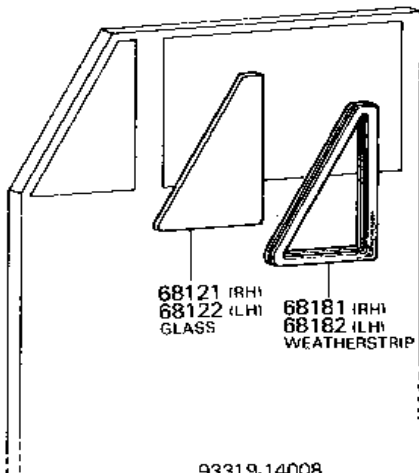
For Steel Door



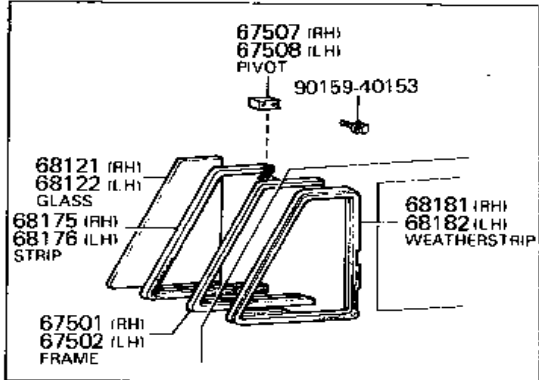
For W/Ventilating Window



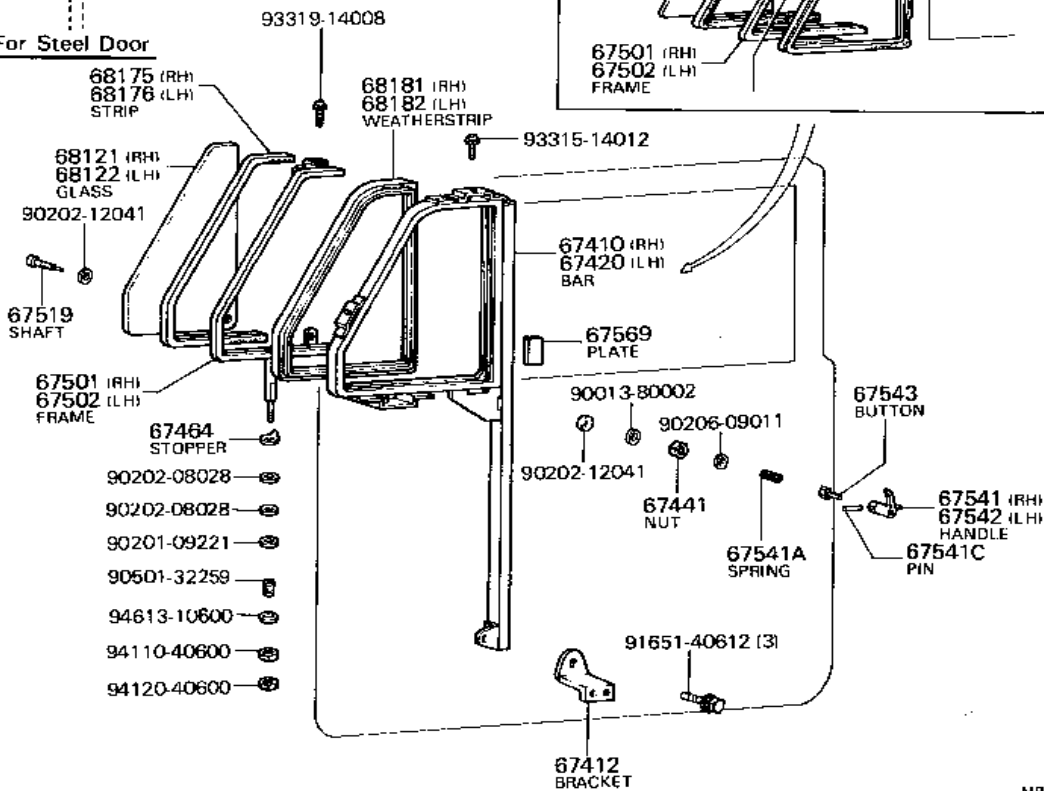
For Canvas Door



(6903-7501).TP(7501-7509)

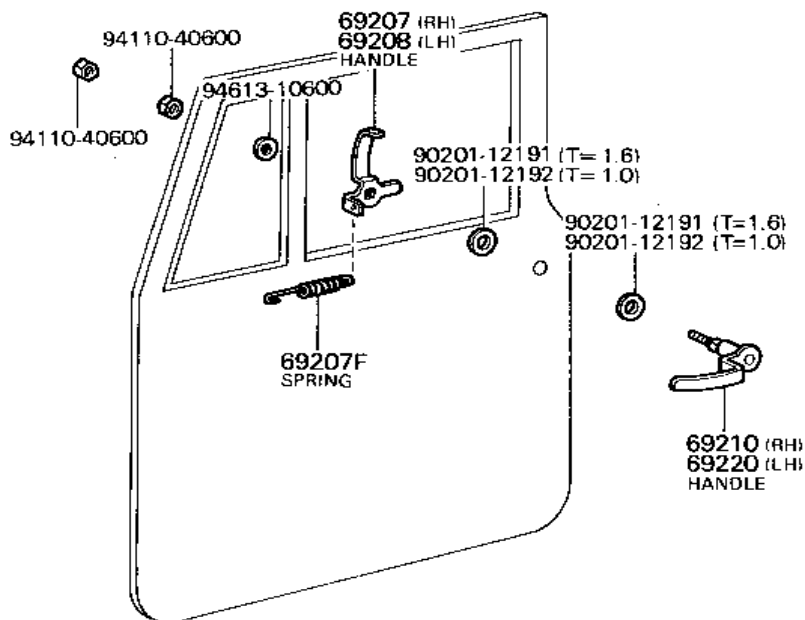


For Steel Door



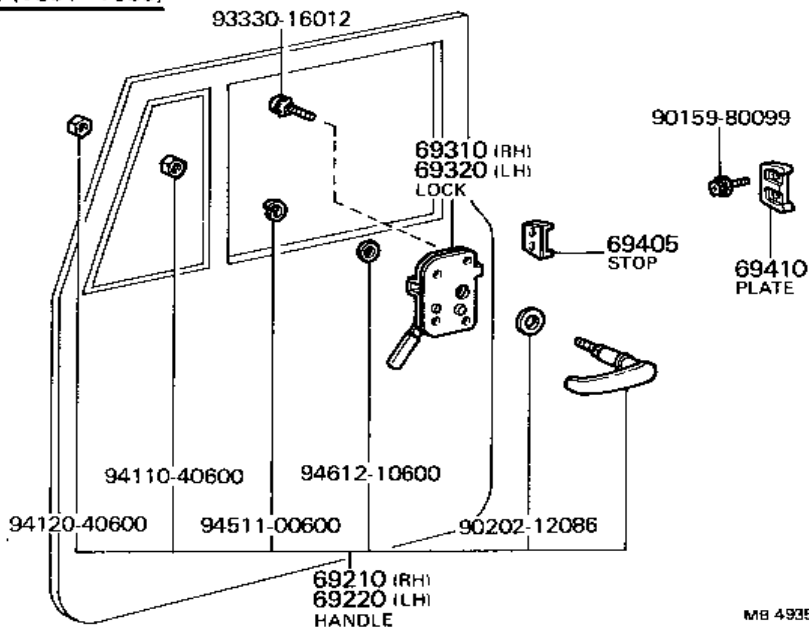
For Canvas Door

(6903—)

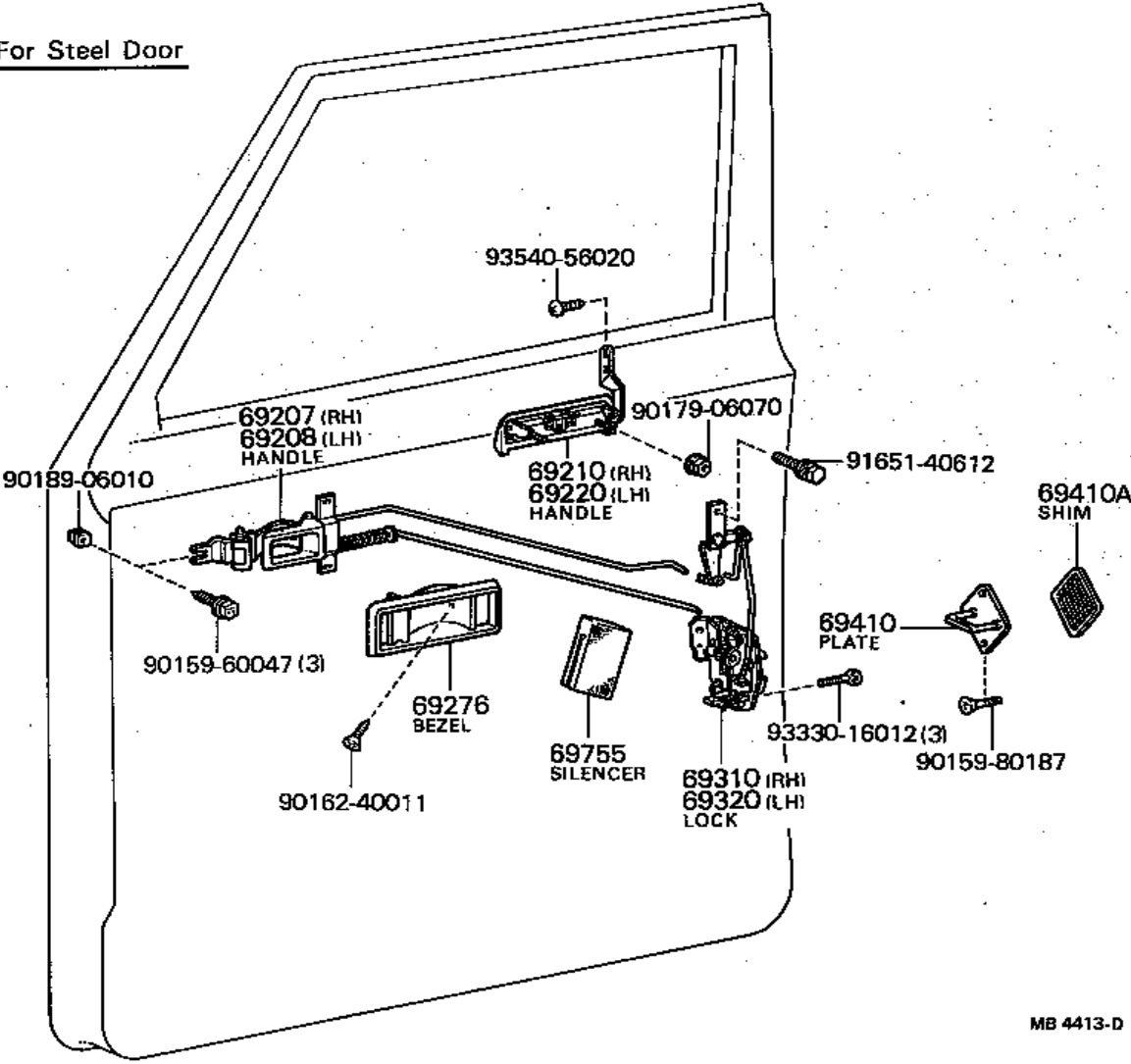


For Steel Door

(6903-7501).TP(7501-7509)

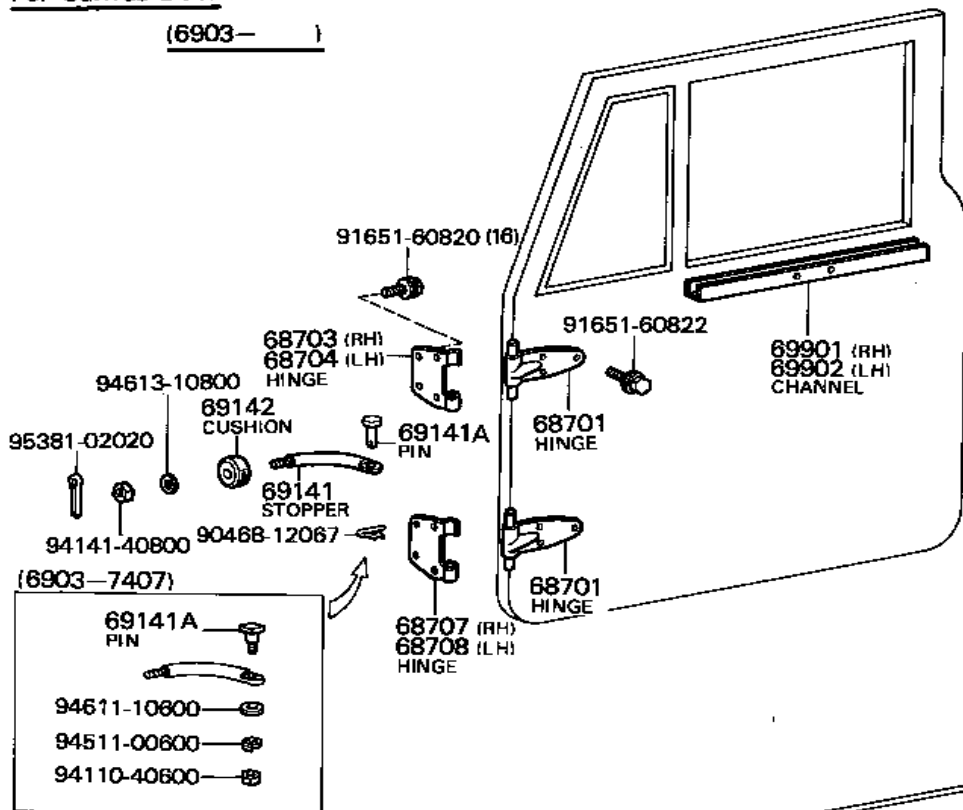


For Steel Door



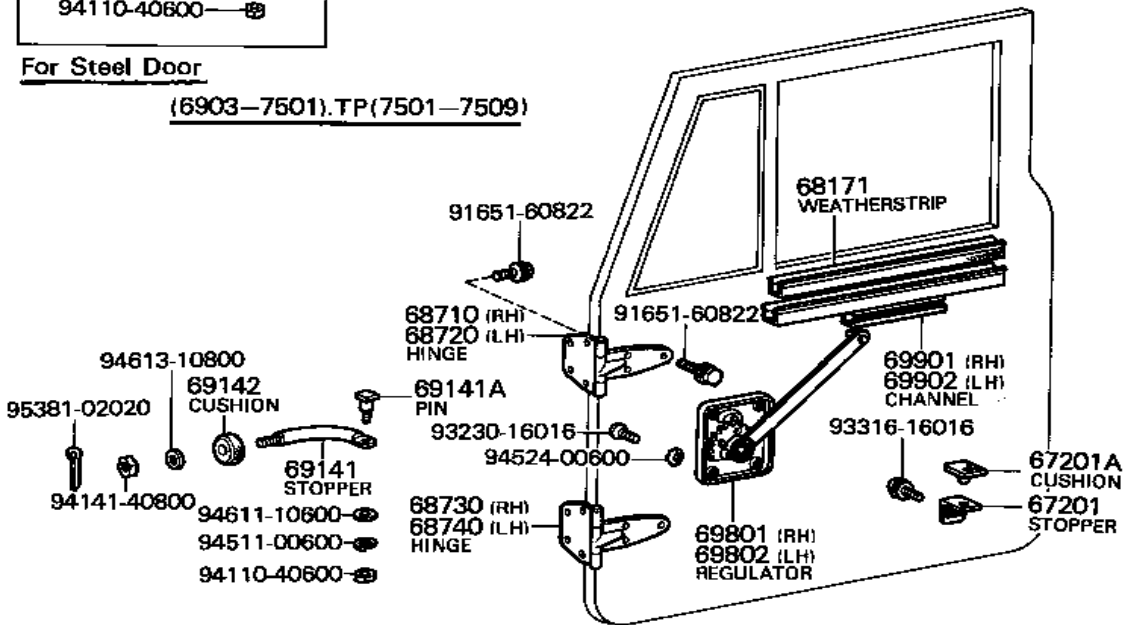
For Canvas Door

(6903—)

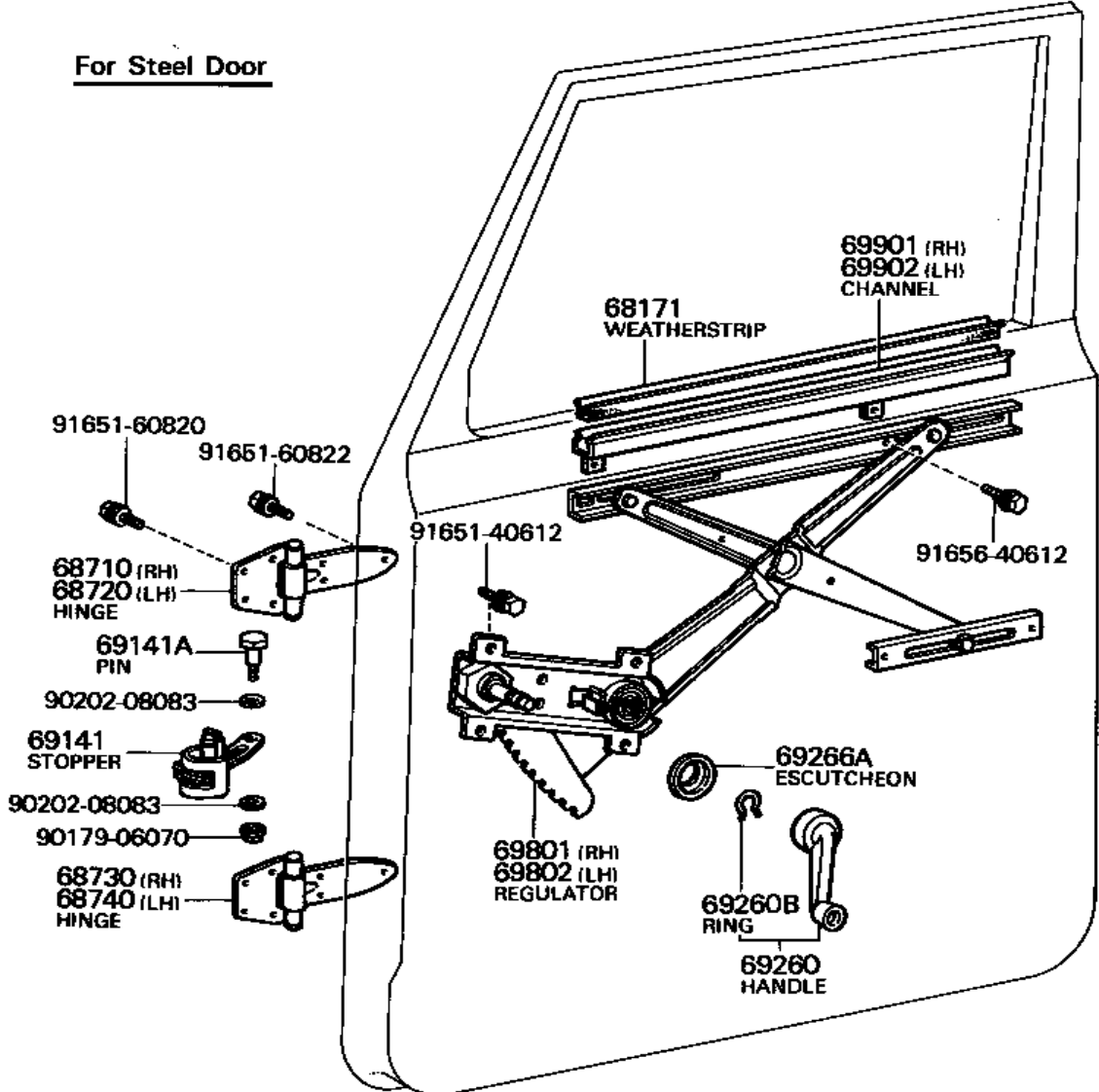


For Steel Door

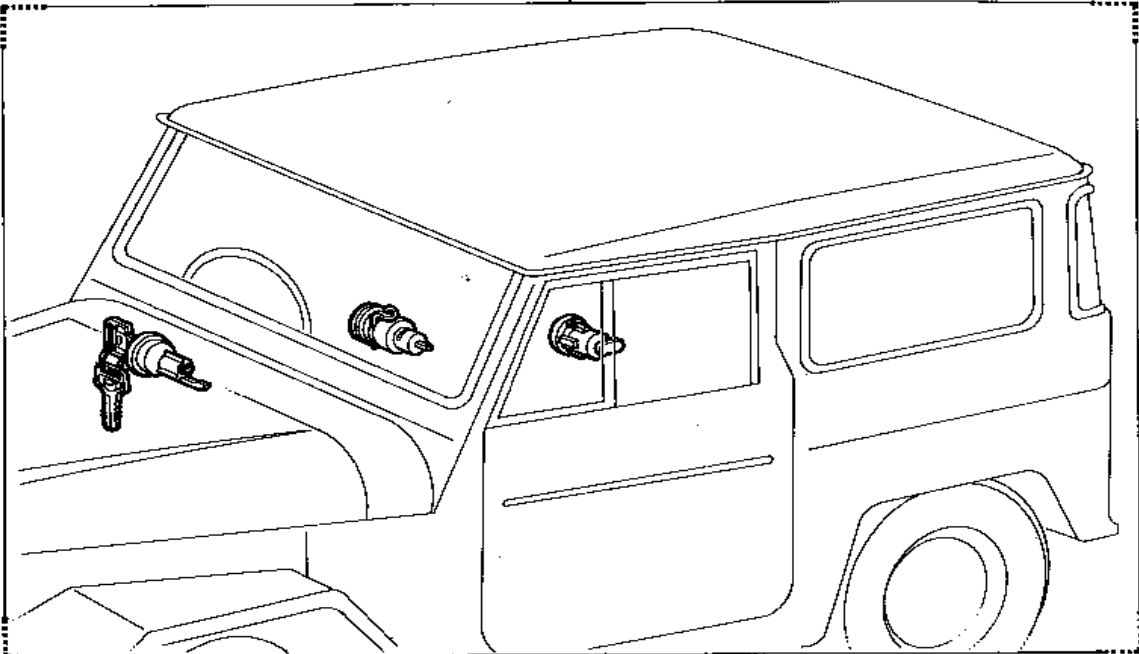
(6903-7501).TP(7501-7509)



For Steel Door

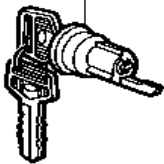


69503
CYLINDER



①

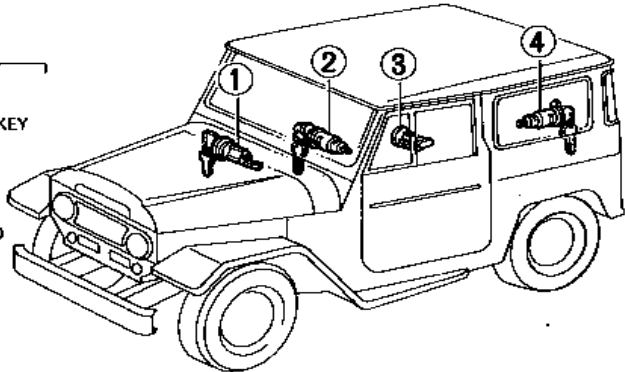
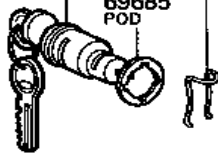
69064
CYLINDER & KEY



②

69051 (RH)
69052 (LH)
CYLINDER & KEY

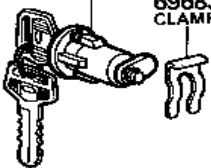
69685
POD



③

69053
CYLINDER & KEY

69683
CLAMP



④

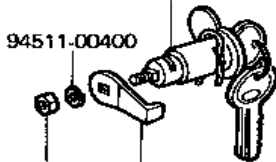
VLS

69054
CYLINDER & KEY

94511-00400

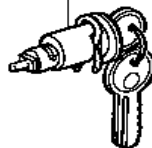
94115-40400

69384
PLATE



VKC

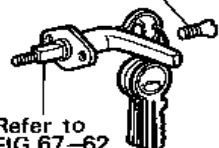
69054
CYLINDER & KEY



TPC

93239-24010

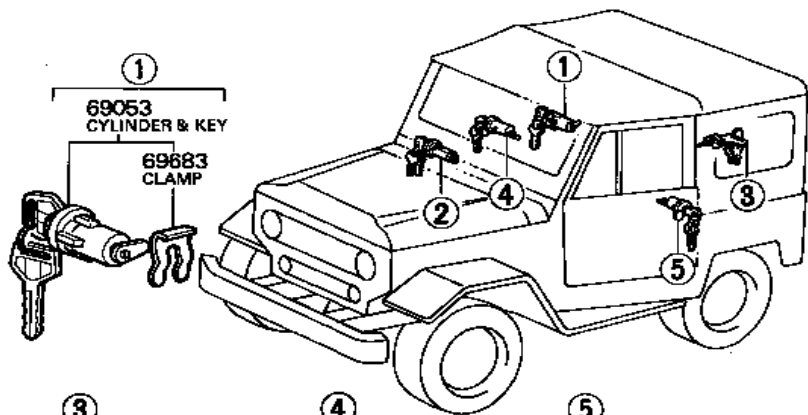
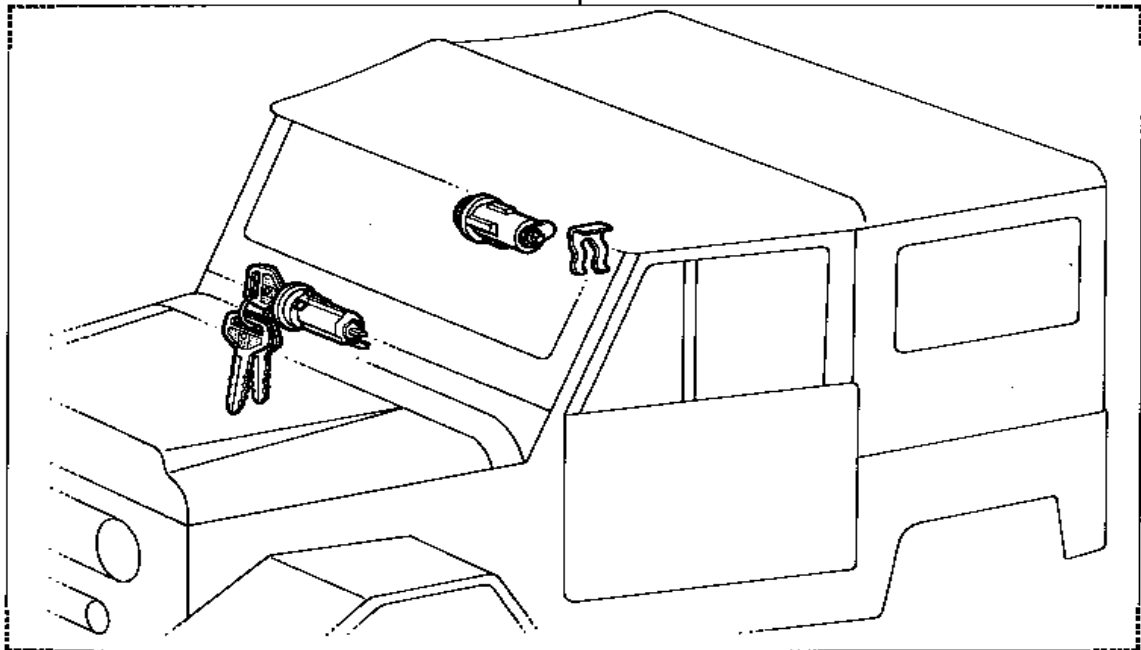
Refer to
FIG.67-62



69503A
KEY

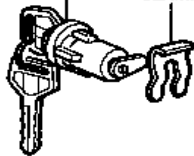


69503
CYLINDER



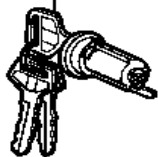
①
69053
CYLINDER & KEY

69683
CLAMP



②

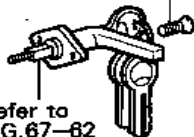
69064
CYLINDER & KEY



③

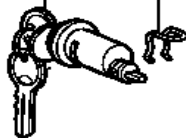
93239-24010

Refer to
FIG. 67-82



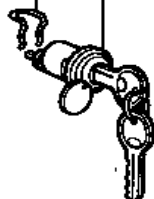
④

69051
CYLINDER & KEY



⑤

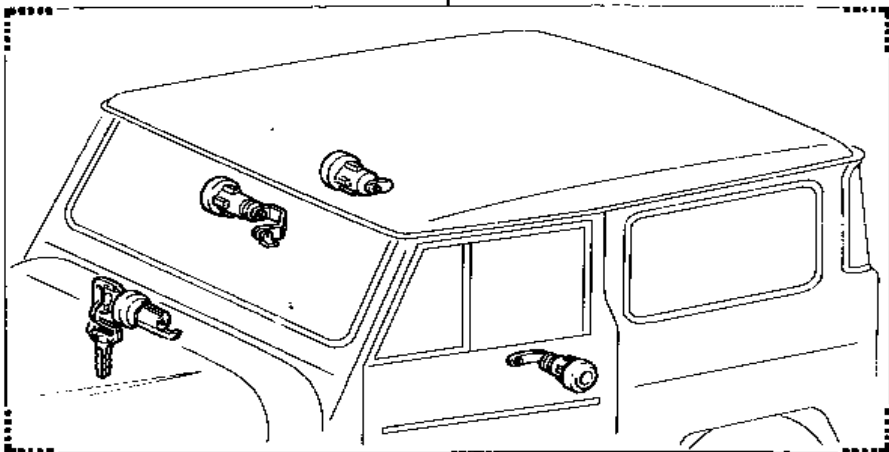
69052
CYLINDER & KEY



69503A
KEY



69503
CYLINDER

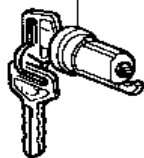


①

②

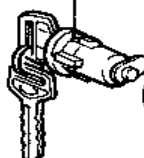
Steering Lock Back Door

69064
CYLINDER & KEY



(7901-)

69053
CYLINDER & KEY



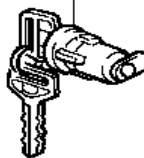
69685
PAD



69683
CLAMP

(7407-7901)

69503
CYLINDER & KEY



69681
CLAMP



69503A
KEY

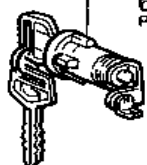


69503A
KEY



③

69051
CYLINDER & KEY

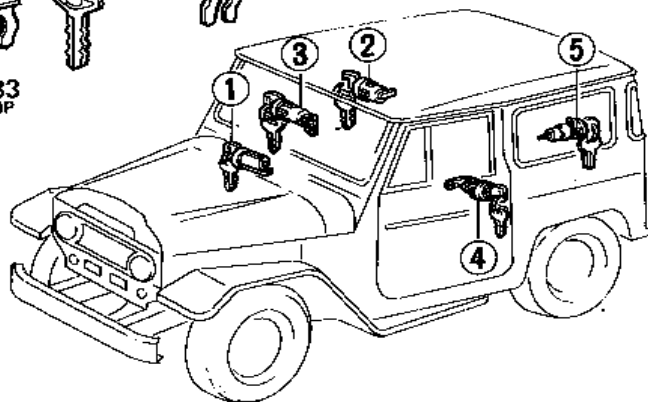


69685
PAD



69681
CLAMP

④

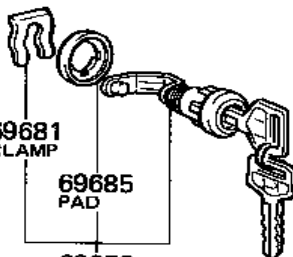


⑤

69681
CLAMP

69685
PAD

69052
CYLINDER & KEY



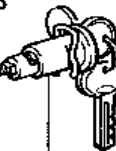
VLS

69563
PAD

94511-00400

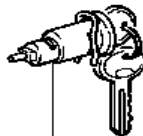
69384
PLATE

94115-40400



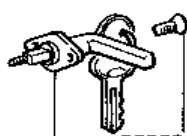
69054
CYLINDER & KEY

VKC



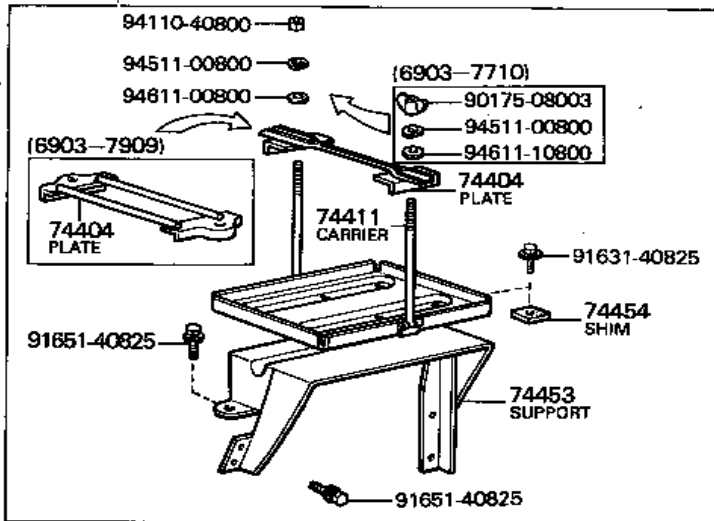
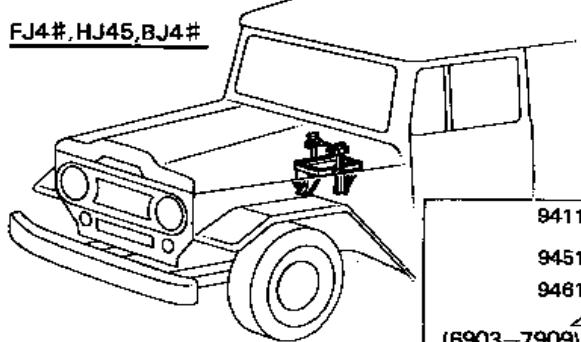
69054
CYLINDER & KEY

TPC

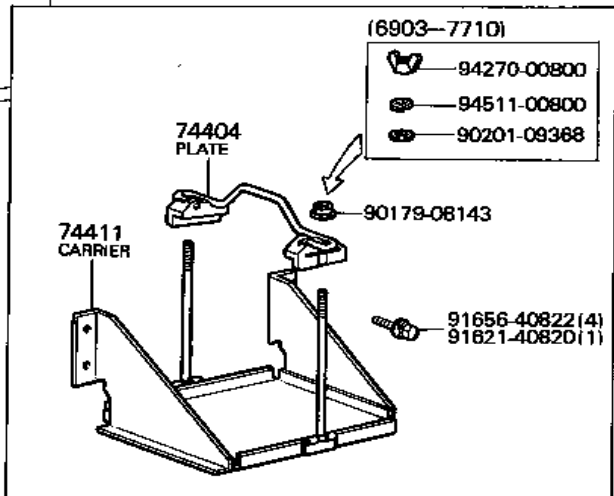
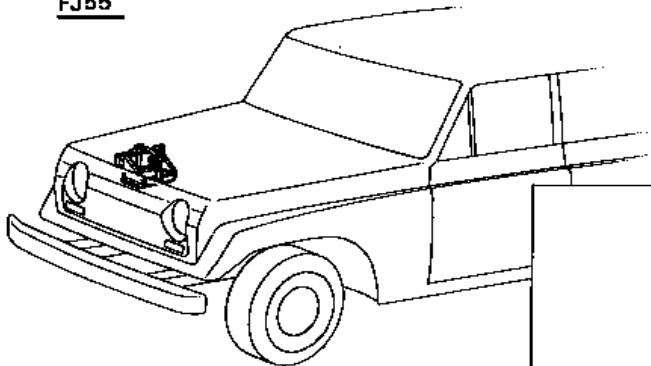


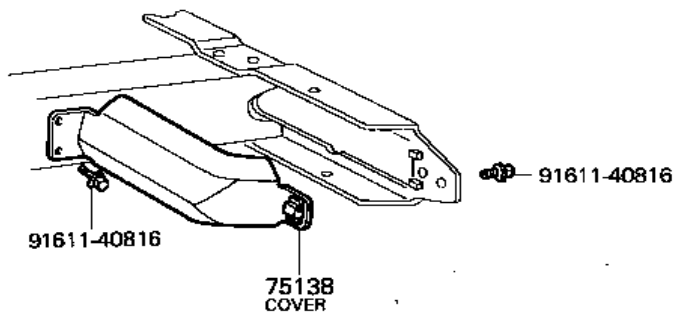
Refer to 93239-24010
FIG.67-62

FJ4#, HJ45, BJ4#

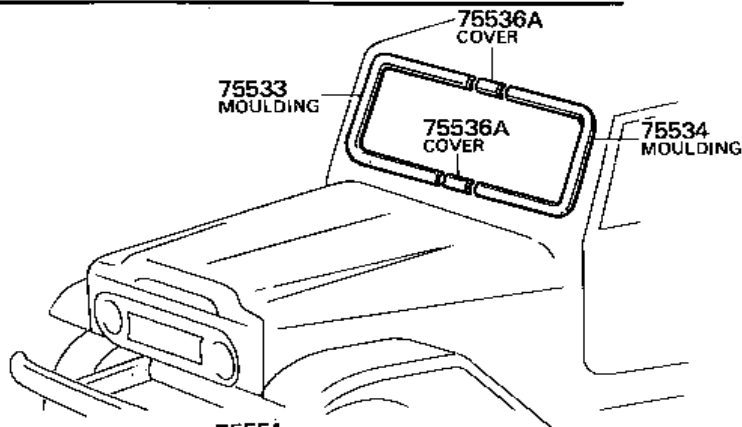


FJ55

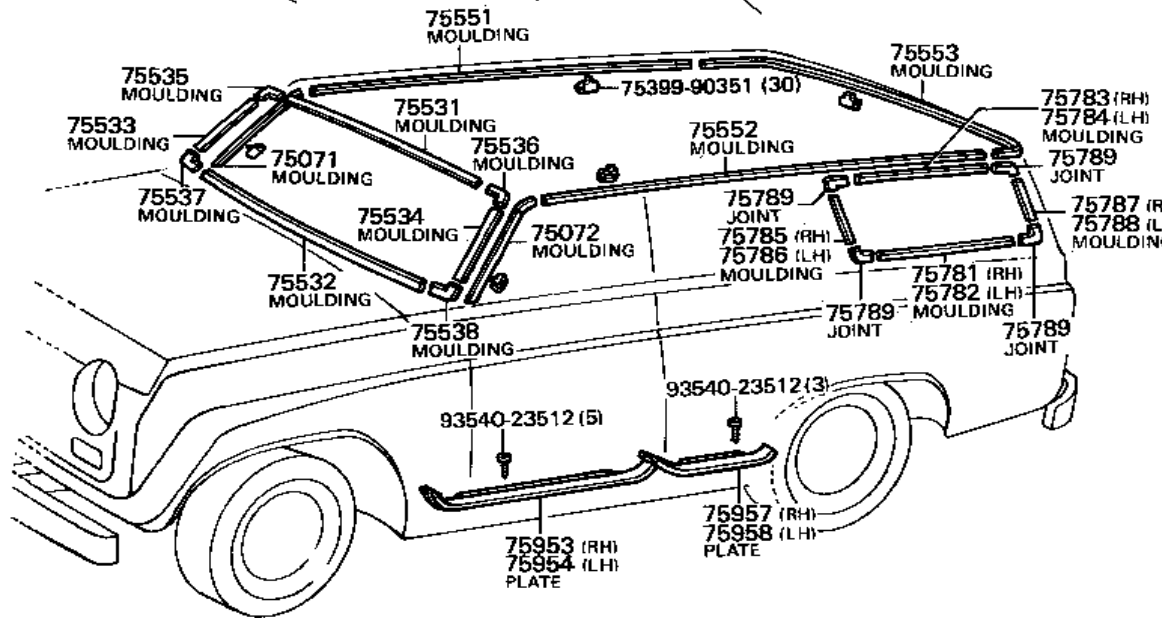


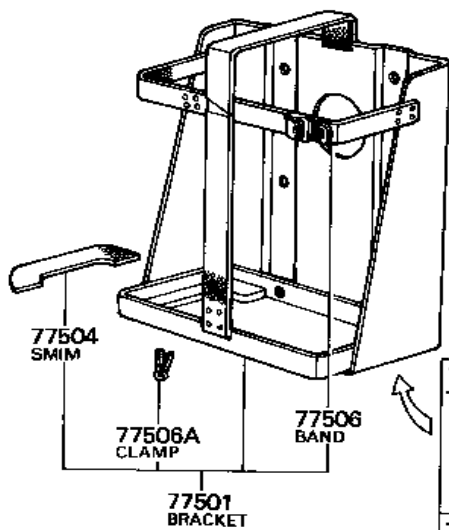


FJ40,43,BJ4#..GEN(7909—) .FJ45,HJ45..PIC..GEN(7909—)

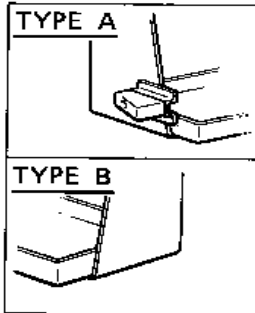
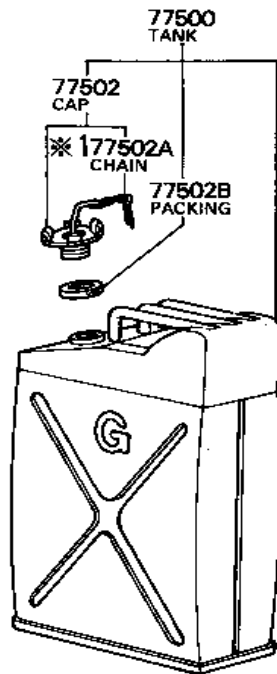


FJ55



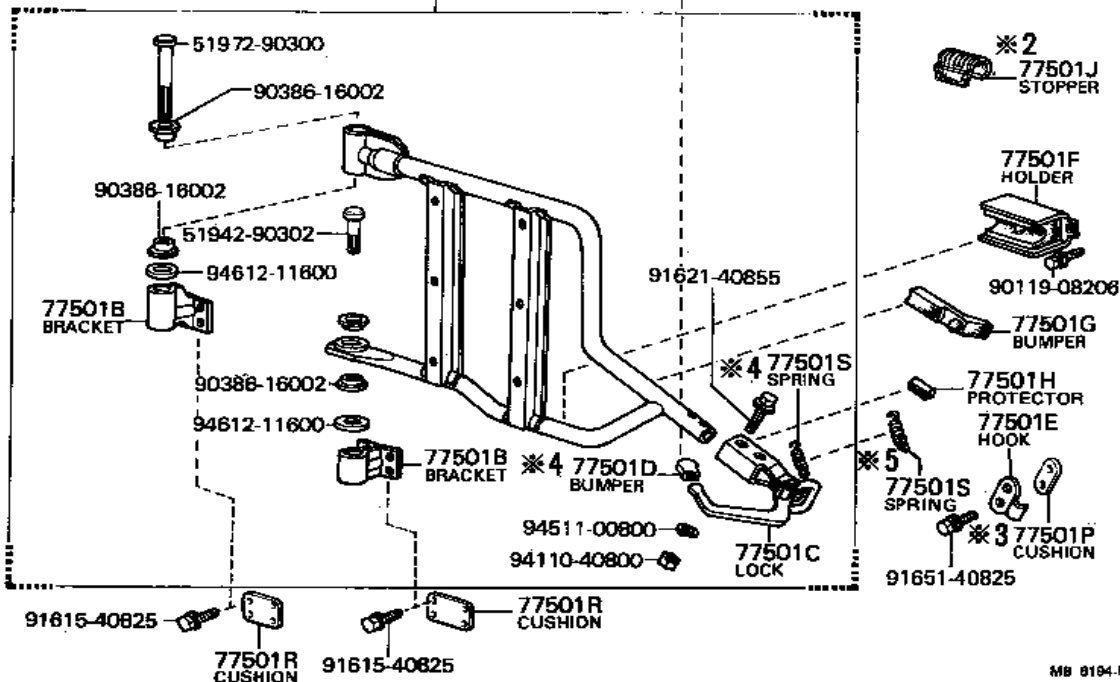


- *1 (6903-7611)
- *2 (7608-7805)
- *3 (7608-)
- *4 (7608-8005)
- *5 (8005-)

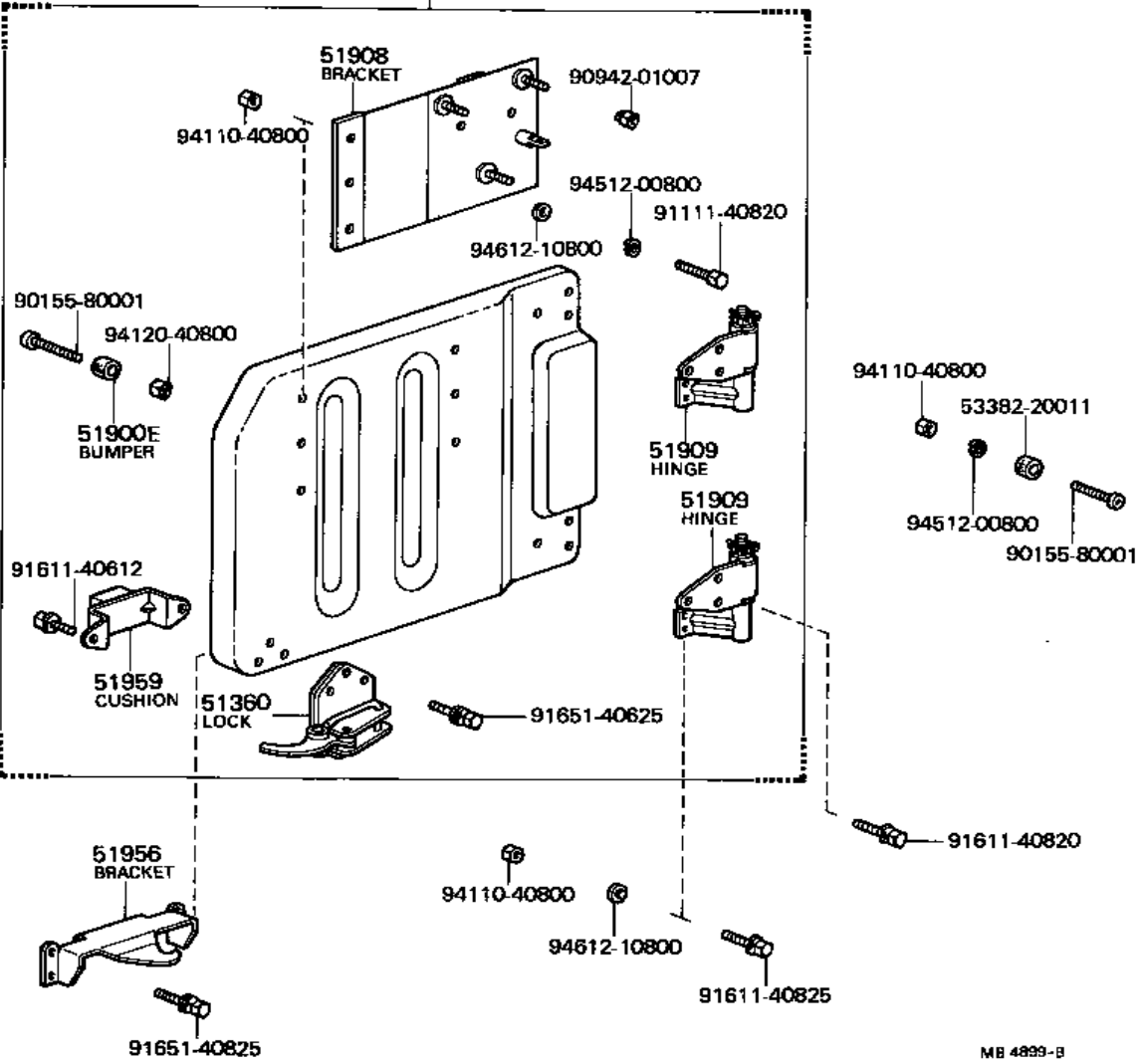


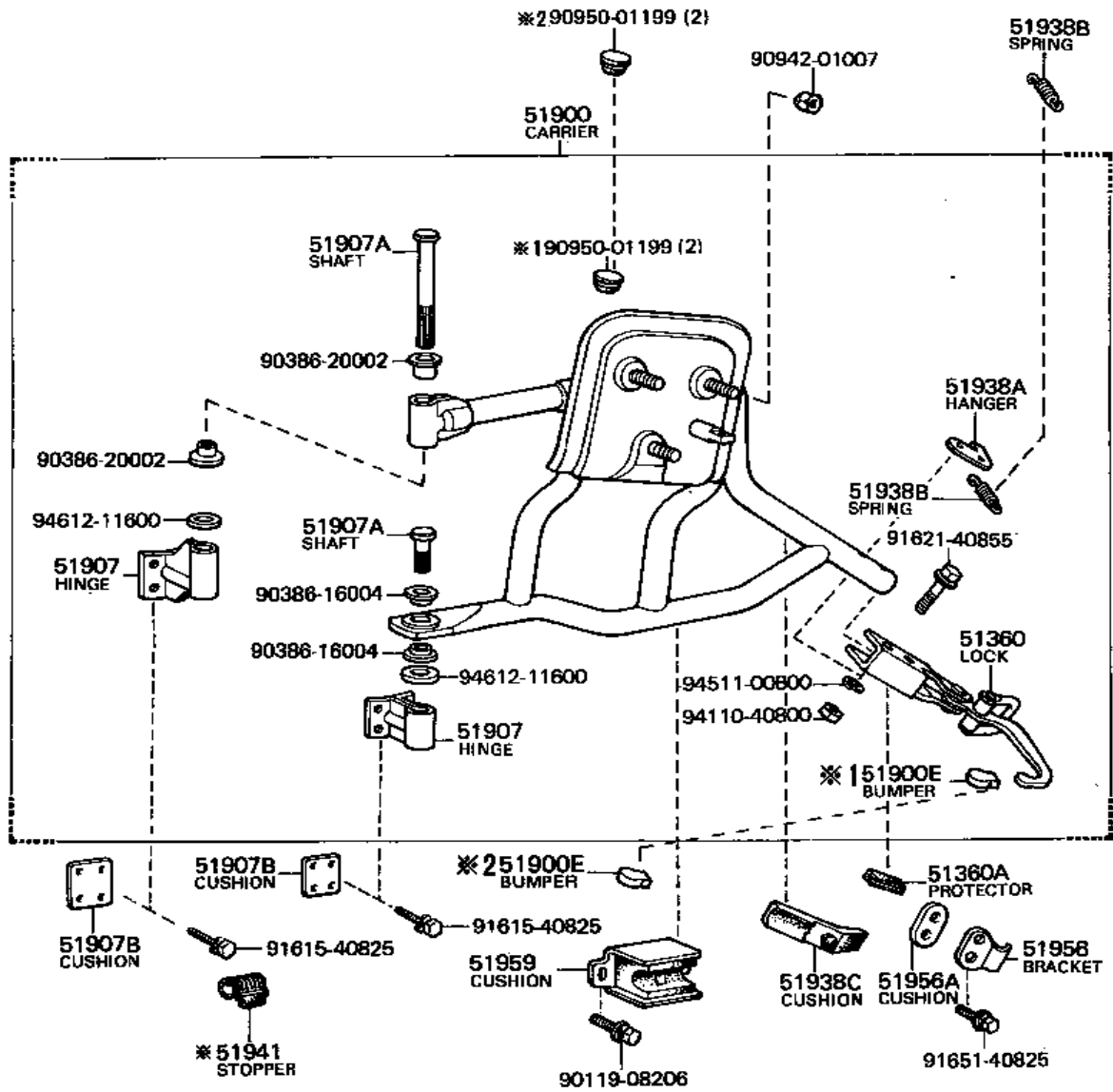
*3 77501A
CARRIER

*5 77501D
BUMPER

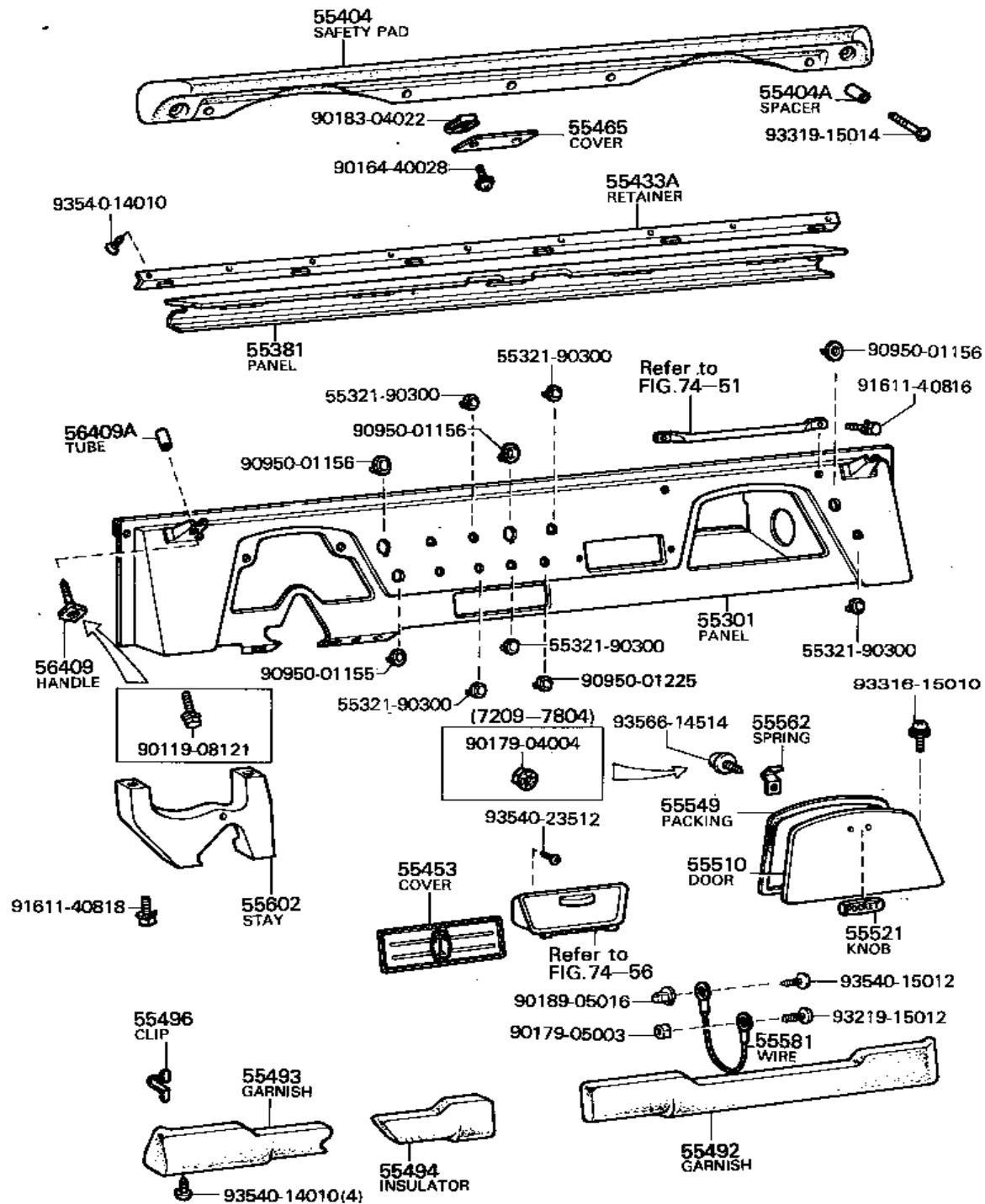


51900
CARRIER

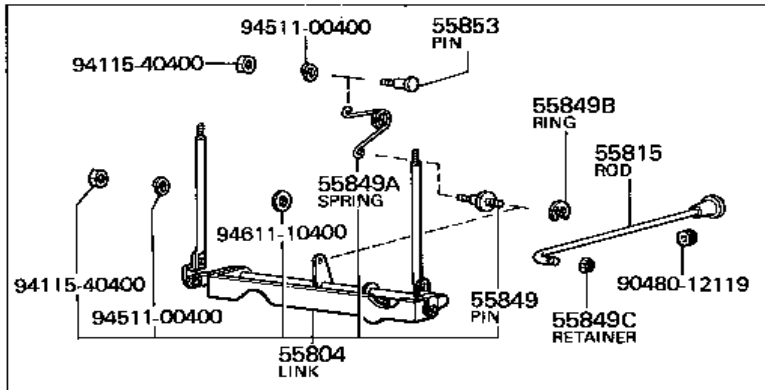




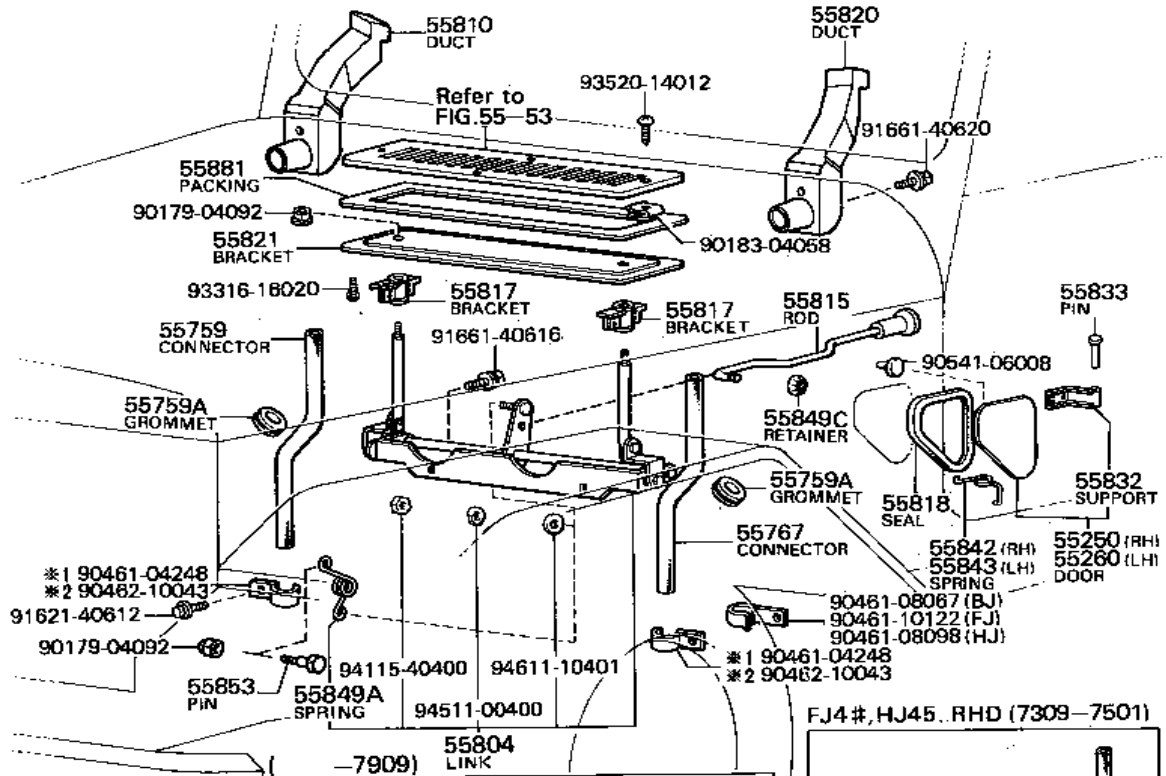
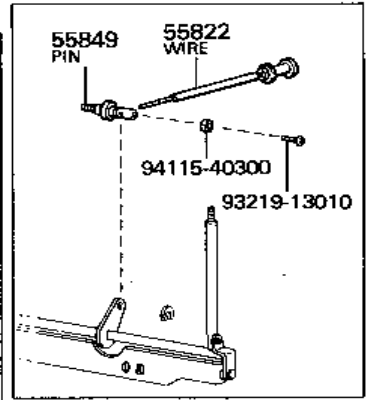
- * (7608-7805)
- * 1 (7608-8005)
- * 2 (8005-)



LHD (6903-7209)



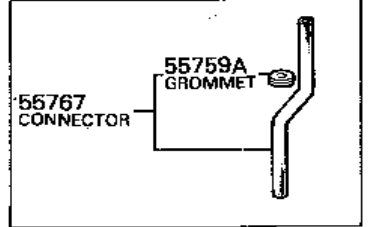
RHD (6903-7209)



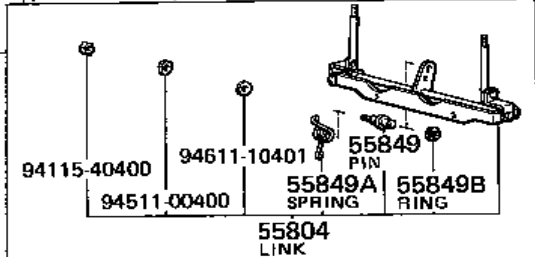
- *1 90461-04248
- *2 90462-10043

- *1 90461-04248
- *2 90462-10043

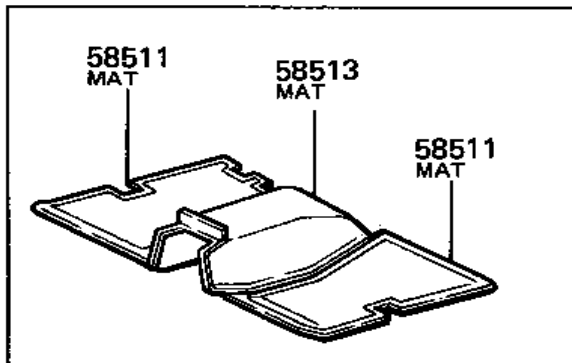
FJ4 #, HJ45, RHD (7309-7501)



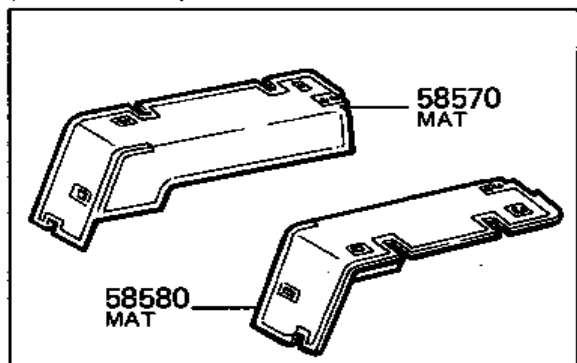
- *1 (6903-7106)
- *2 (7106-)



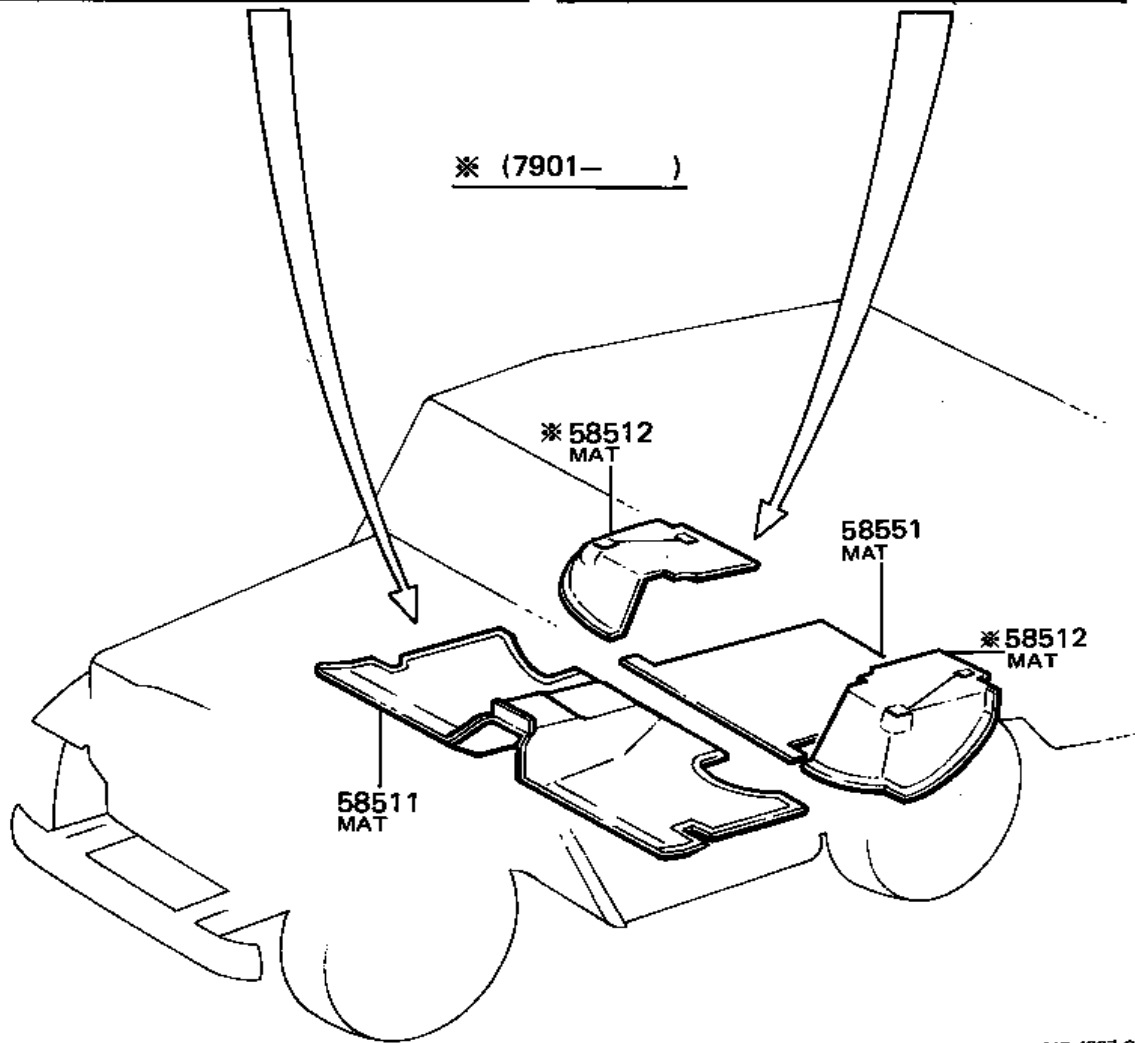
(6903-7106)



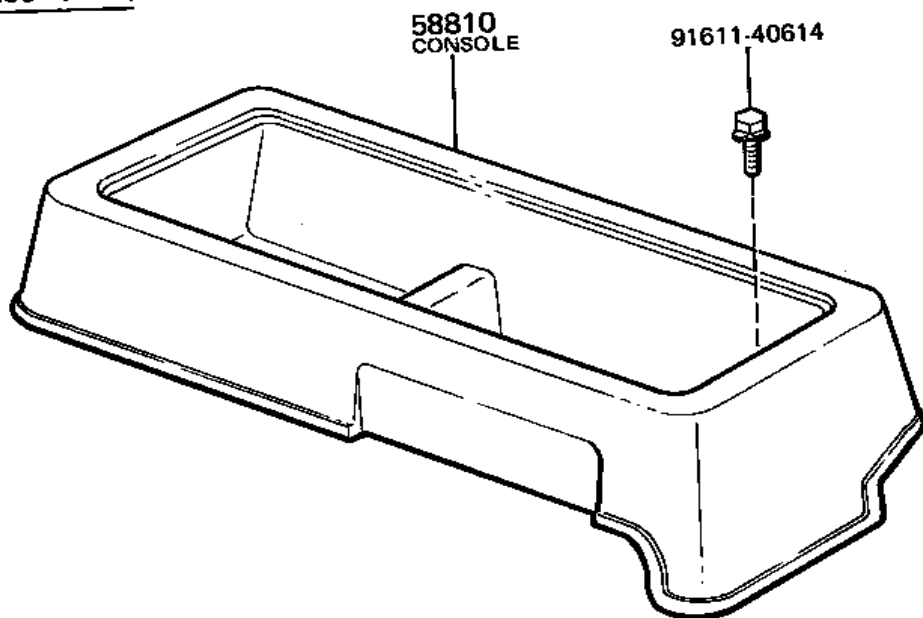
(6903-7106)



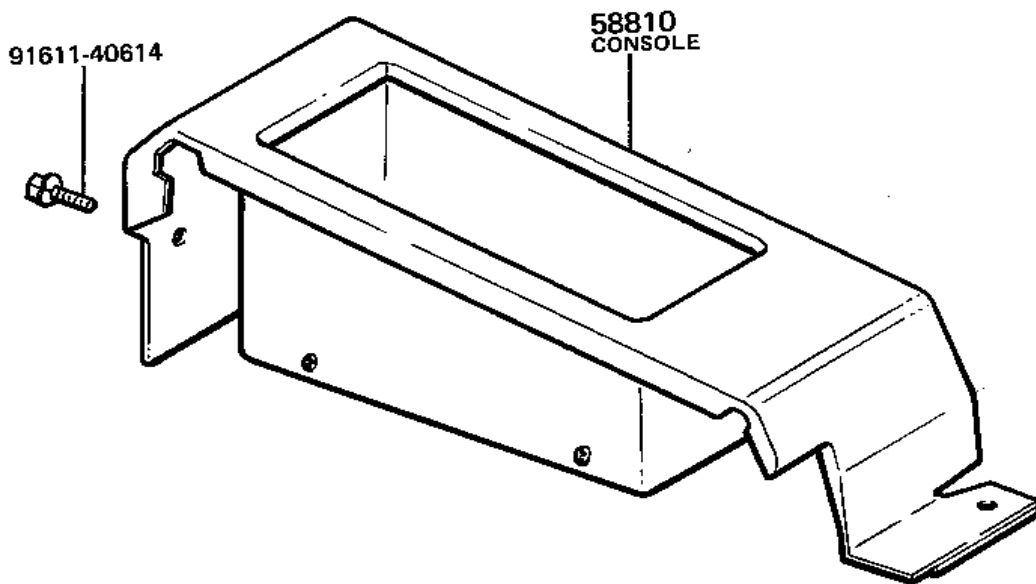
※ (7901-)



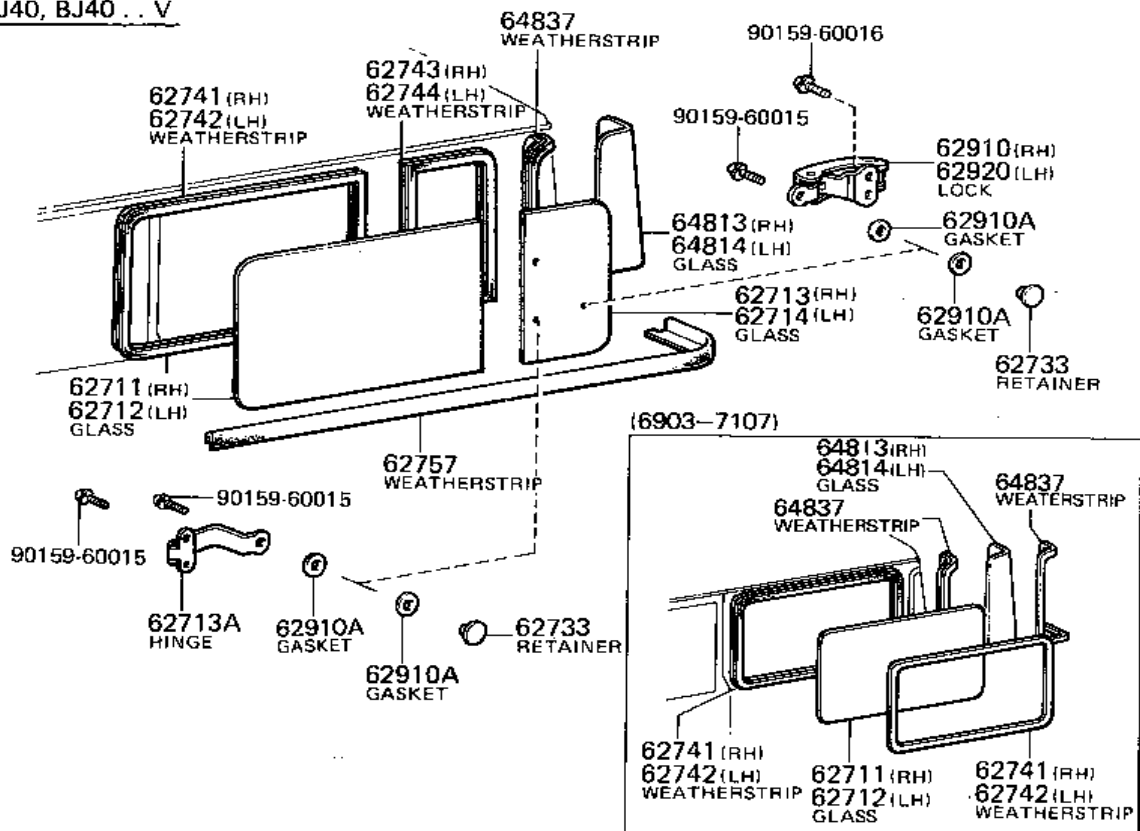
(7209-7901)



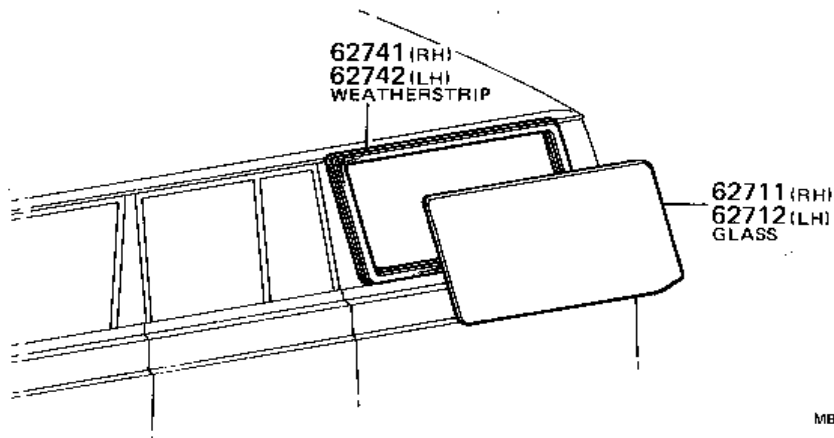
(7901-)

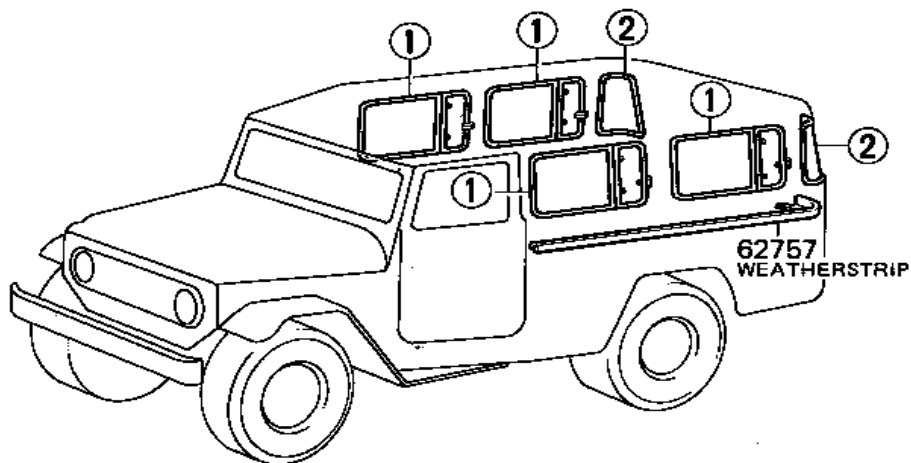


FJ40, BJ40 . . V

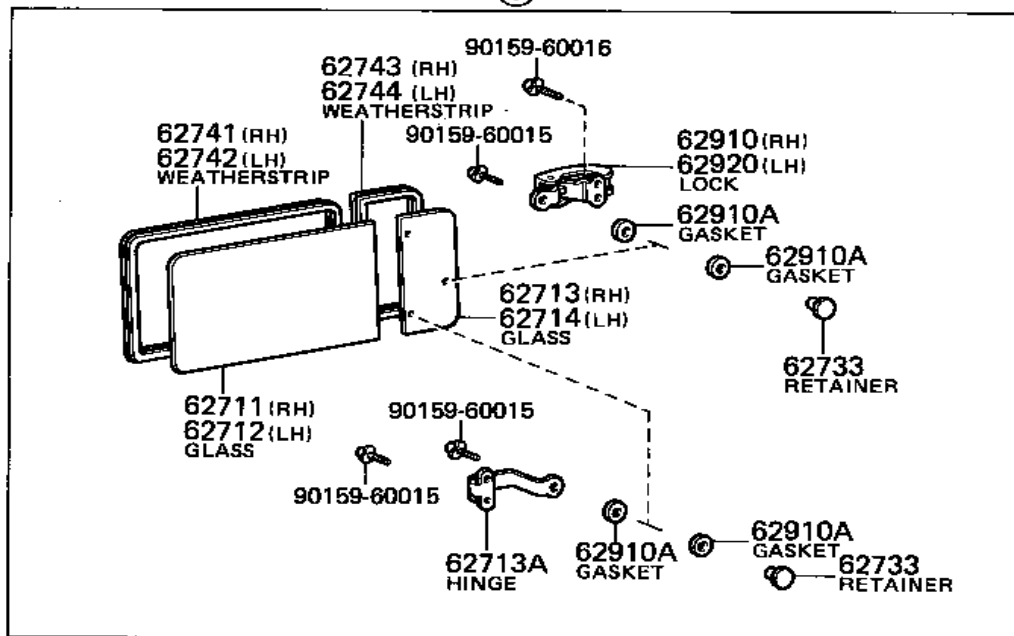


FJ55

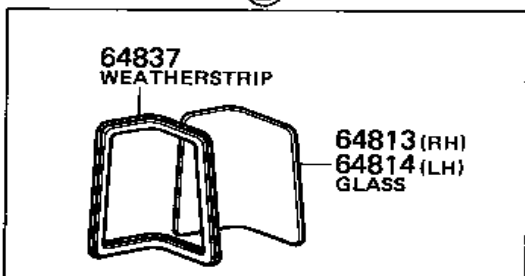




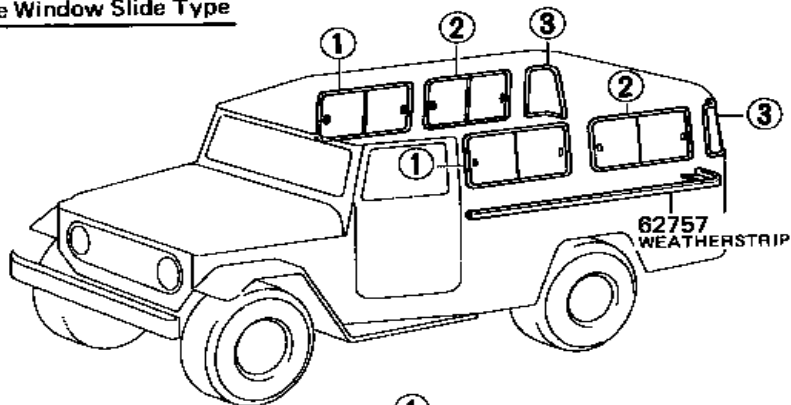
①



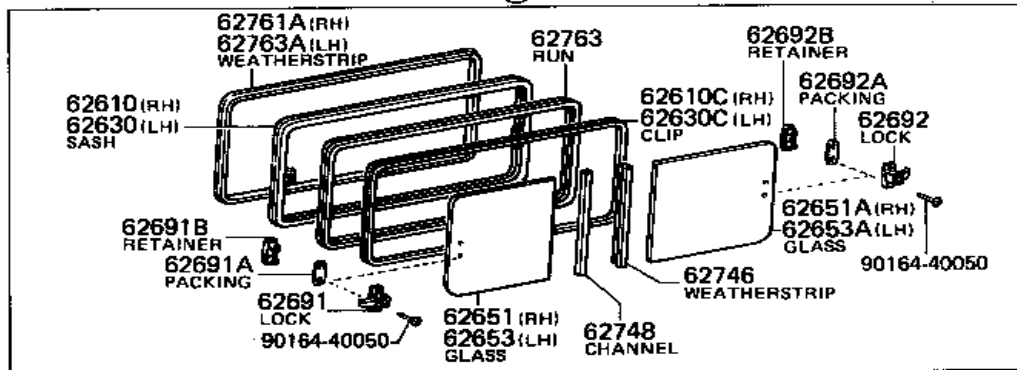
②



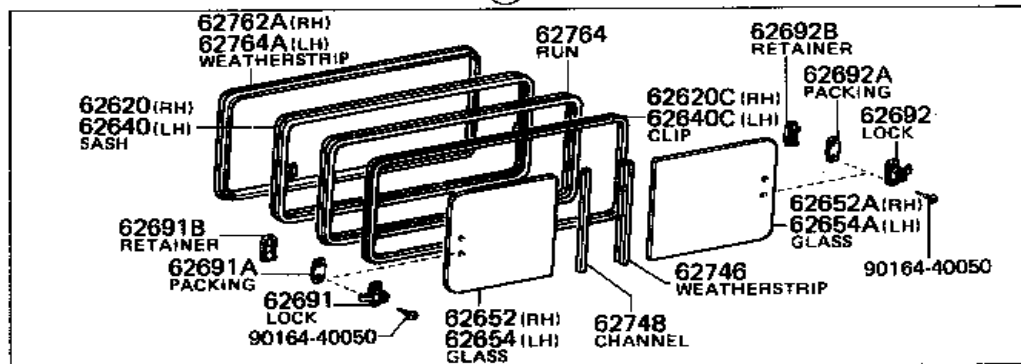
For Rear Side Window Slide Type



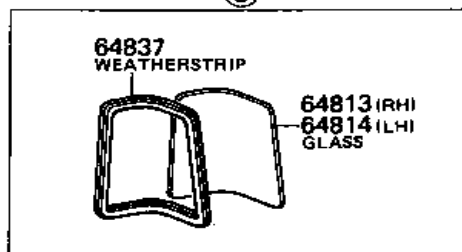
①

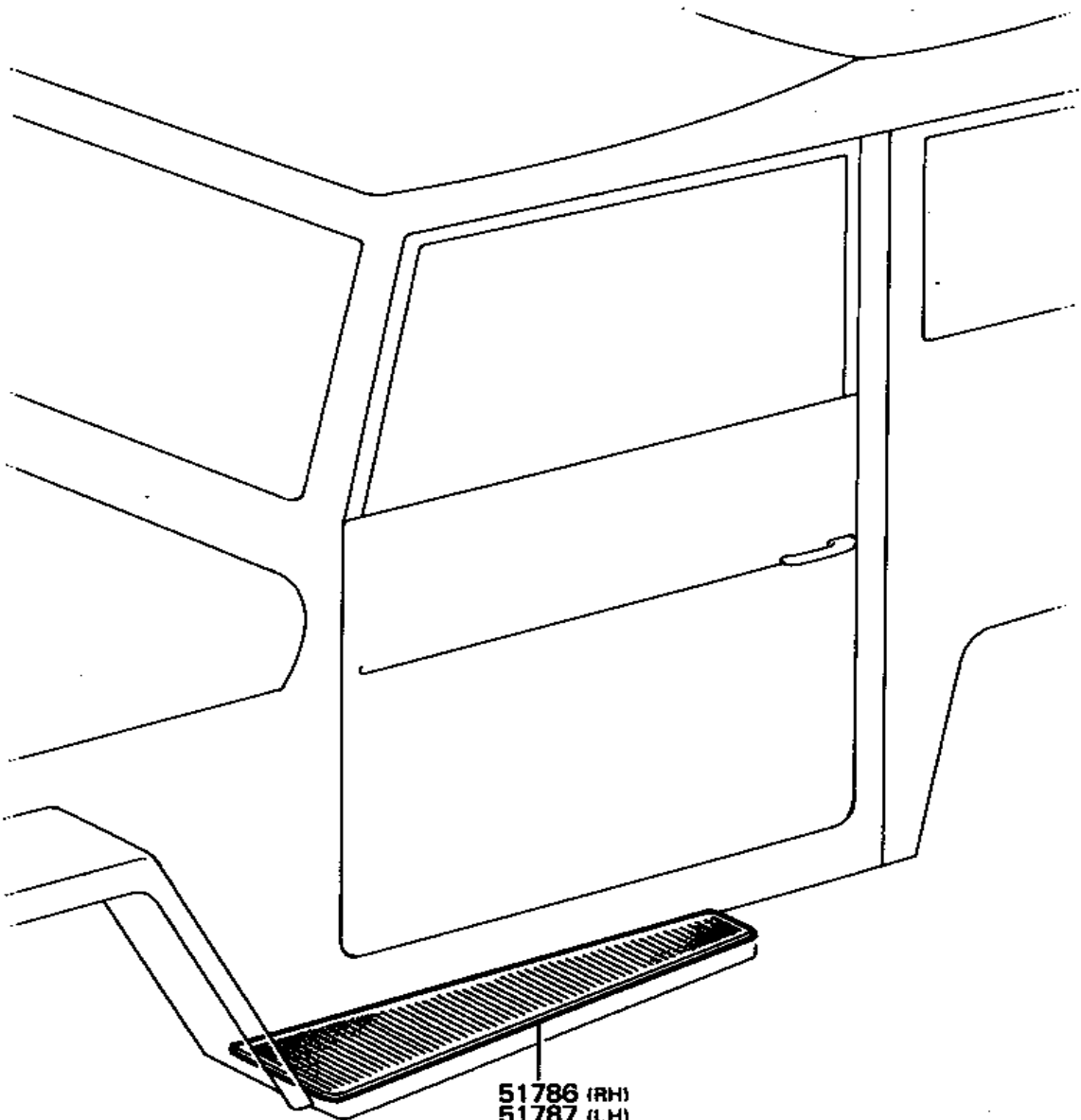


②



③

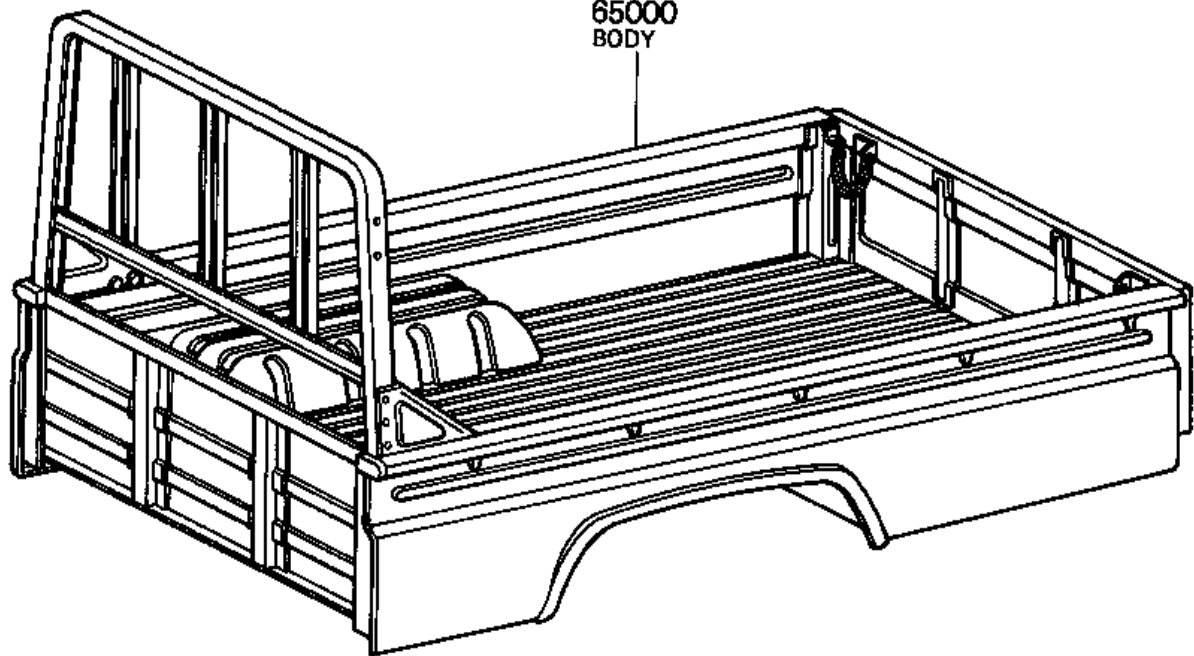




51786 (RH)
51787 (LH)
MAT

MB 5606

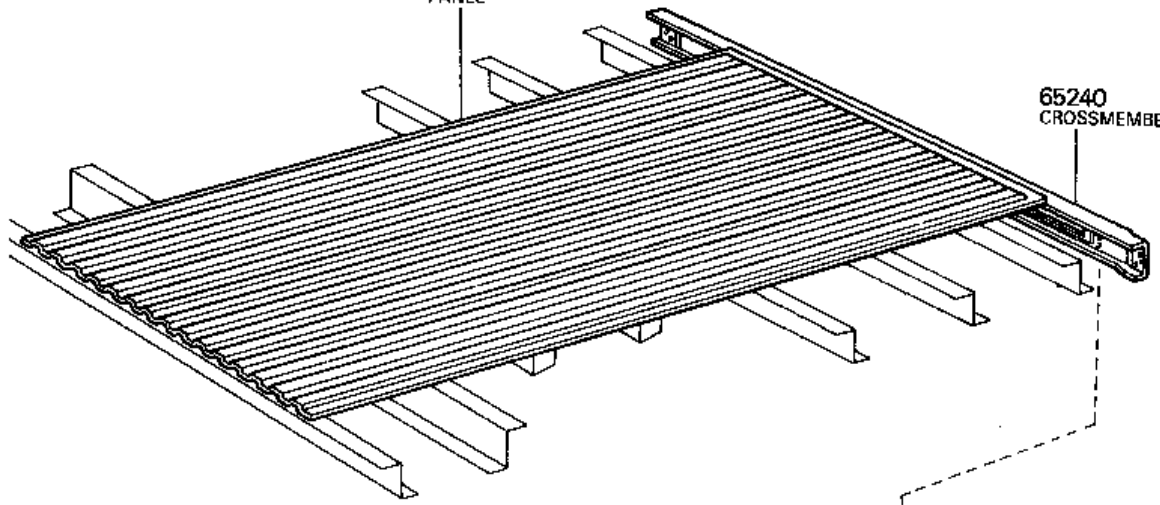
65000
BODY



MB 1262-B

65311
PANEL

65240
CROSSMEMBER



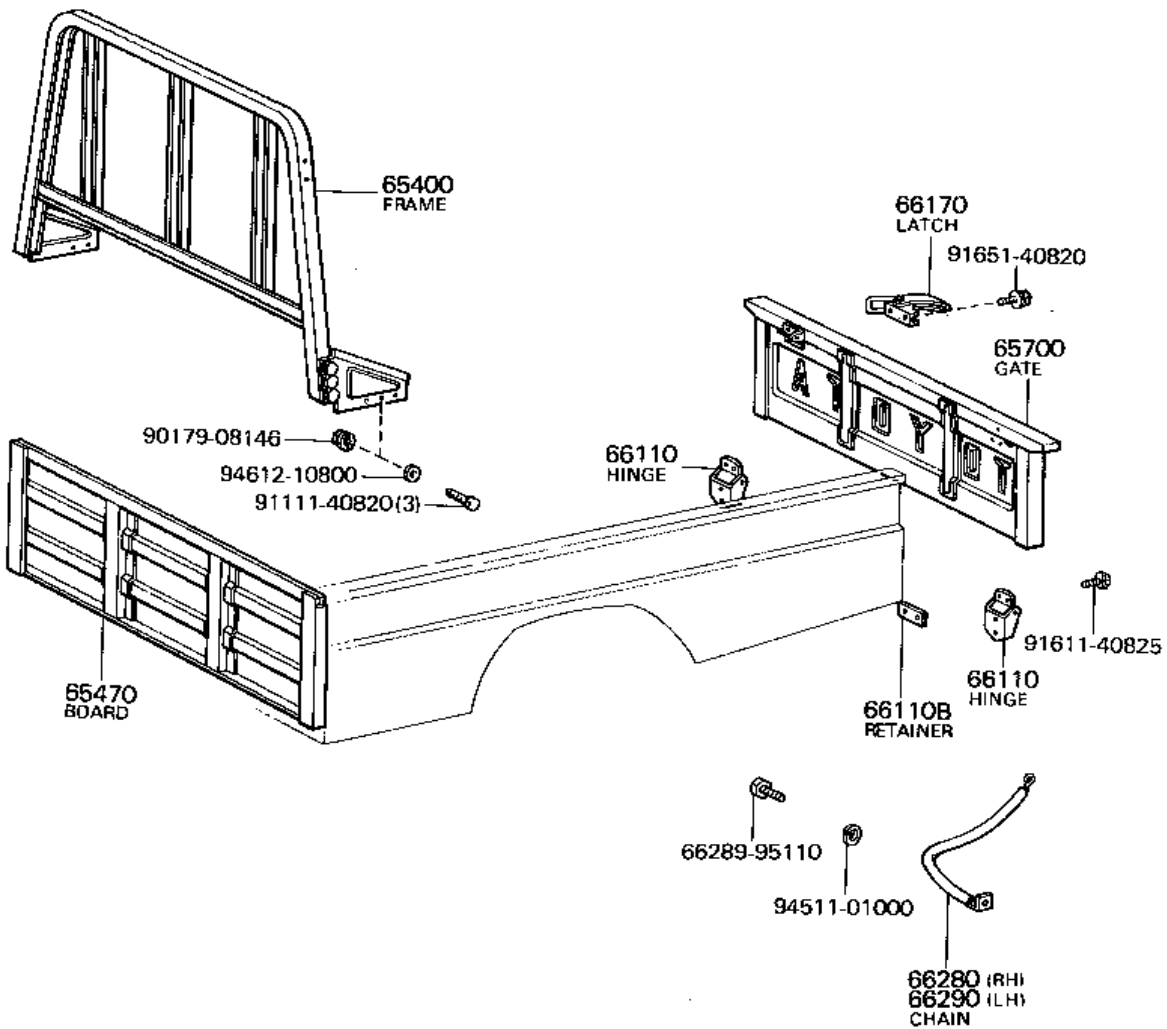
90179-05172

93312-15030

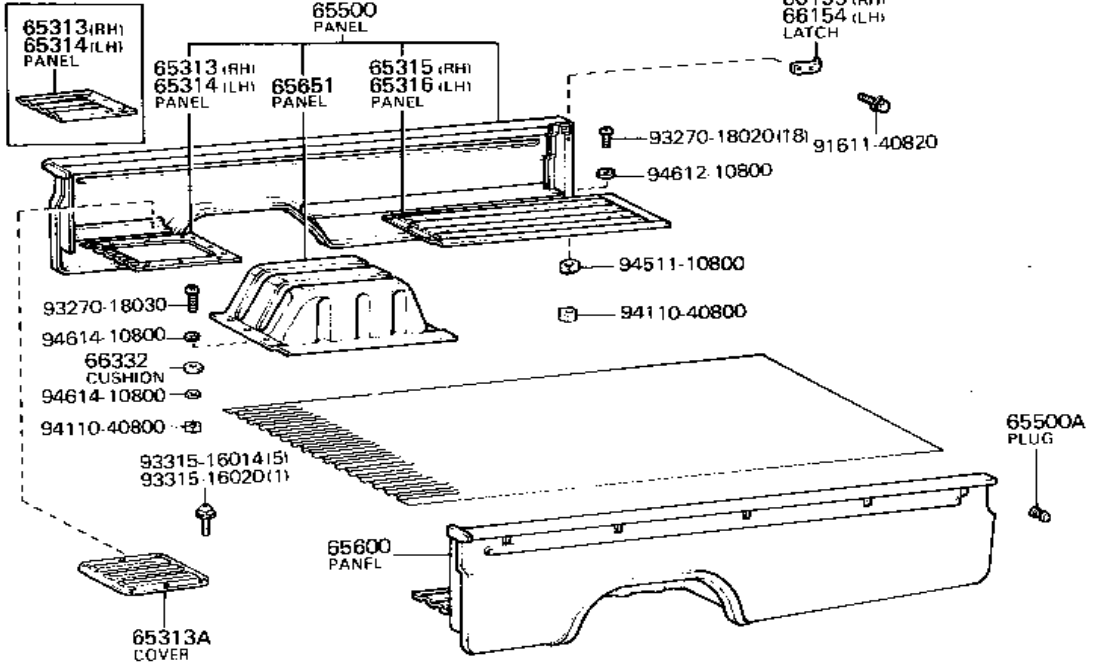
66321
BUMPER

MB 8006-C

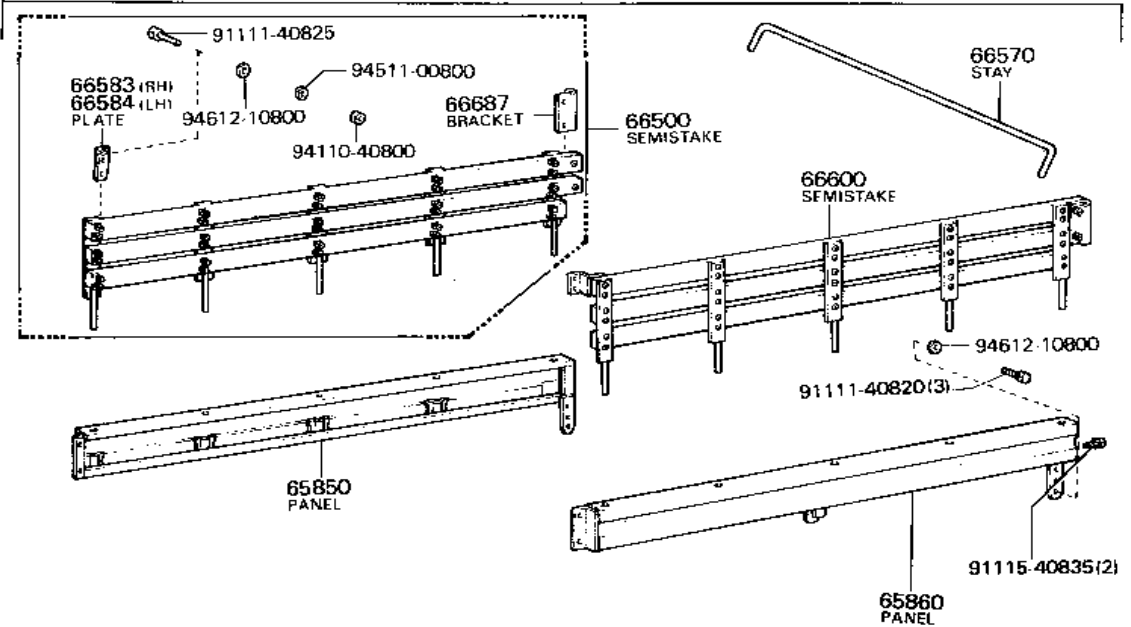




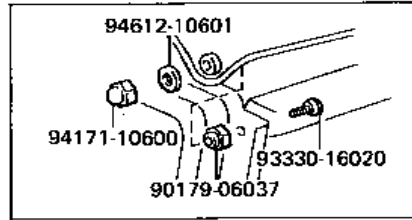
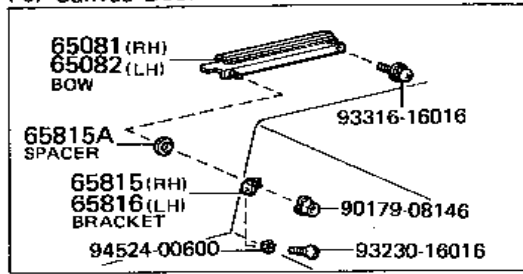
(6903-7610)



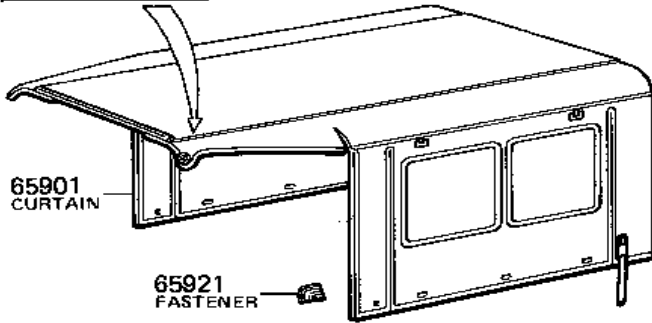
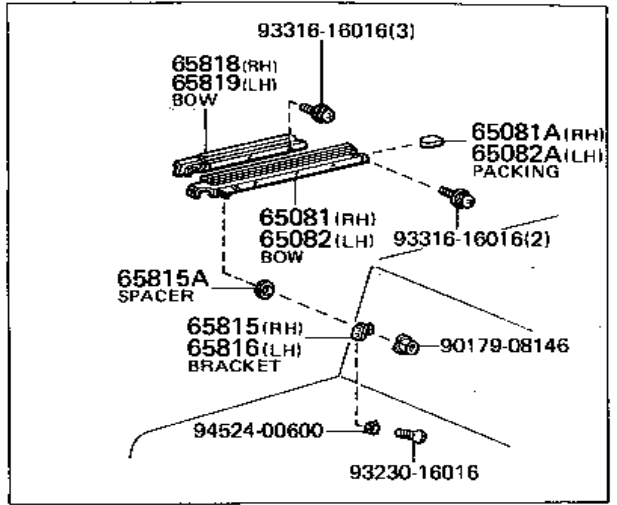
(6903-7709) GEN(7901-)



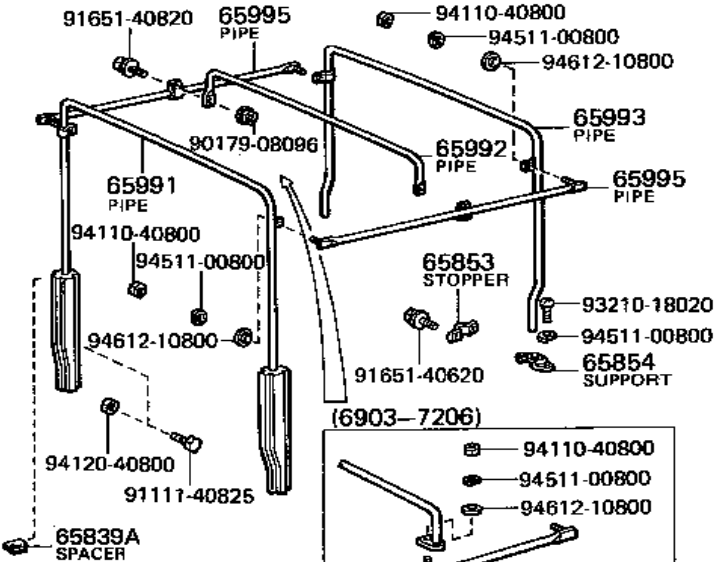
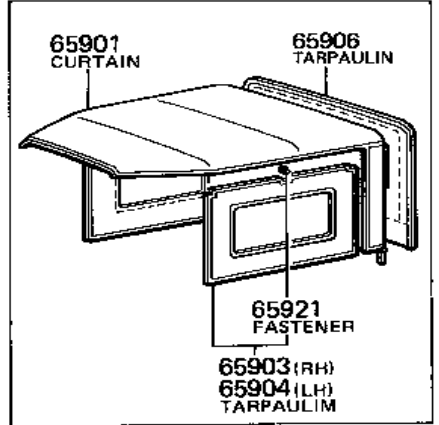
For Canvas Door



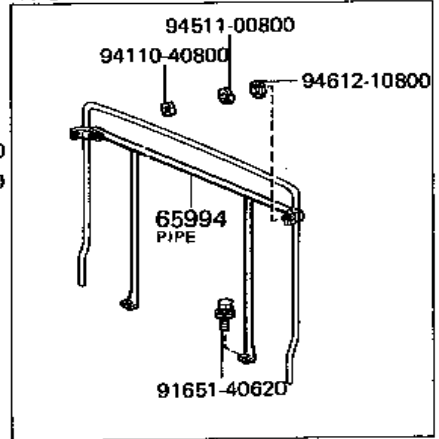
For Steel Door



(6903-7109)

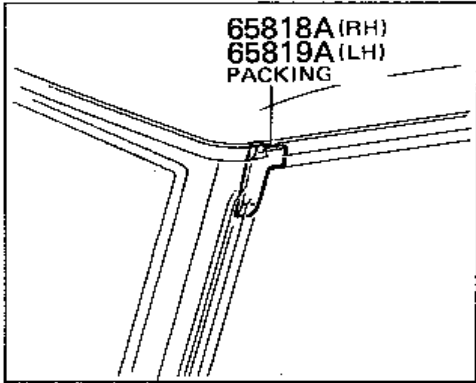


TPC



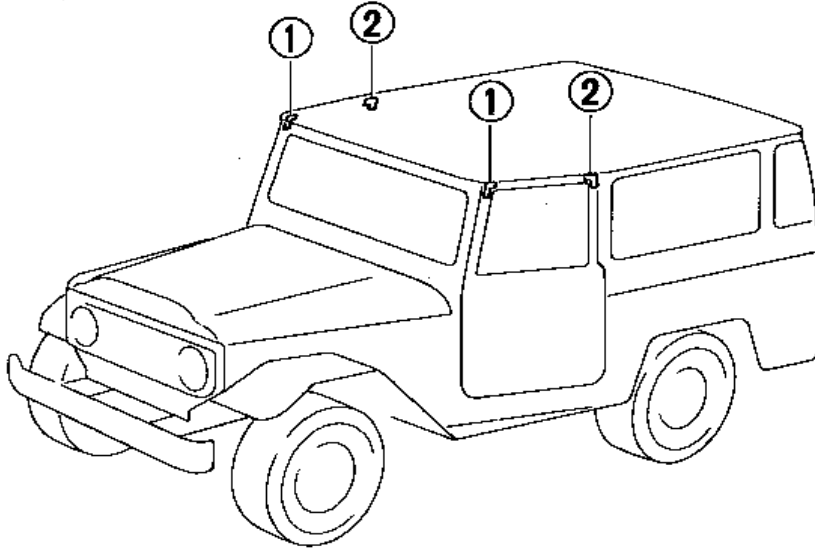
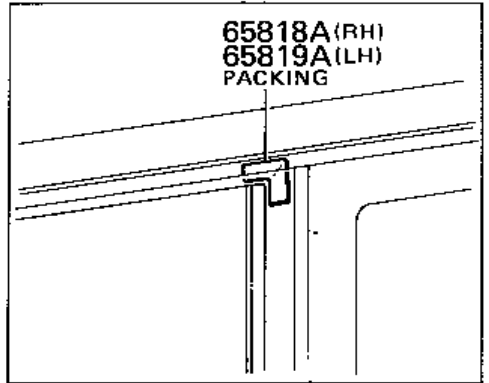
①

65818A (RH)
65819A (LH)
PACKING



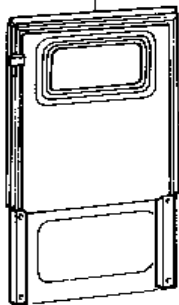
②

65818A (RH)
65819A (LH)
PACKING

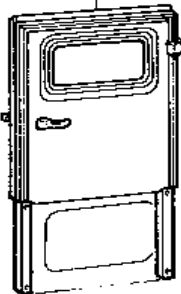


MB C360

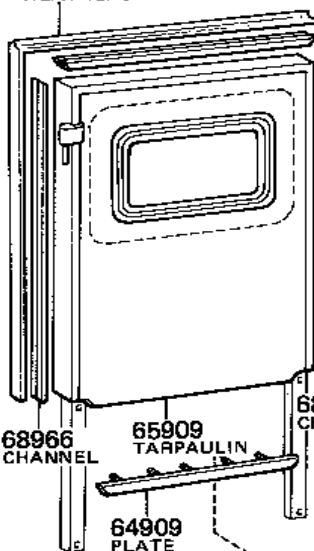
67005
-PANEL



67005
PANEL



67886
WEATHERSTRIP



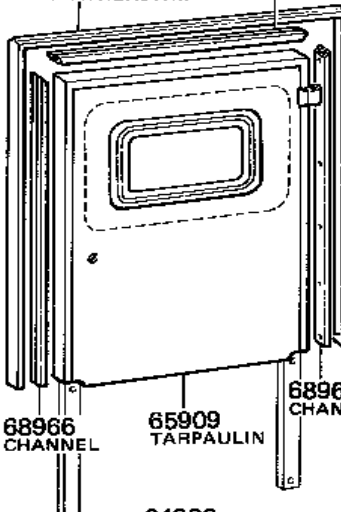
68967
CHANNEL



67883
WEATHERSTRIP



67885
WEATHERSTRIP



68967
CHANNEL



93520-13010



68966
CHANNEL



65909
TARPAULIN



68966
CHANNEL



68966
CHANNEL



65909
TARPAULIN



64909
PLATE



90179-05095



64924
CUSHION



64924
CUSHION



64924
CUSHION



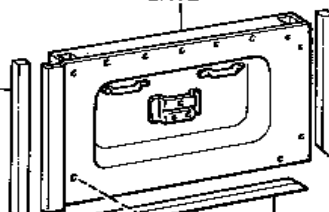
91651-40816



64907
GATE



64906
GATE



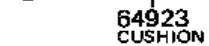
64923
CUSHION



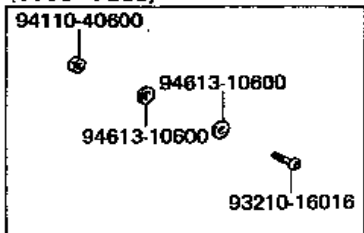
91651-40816



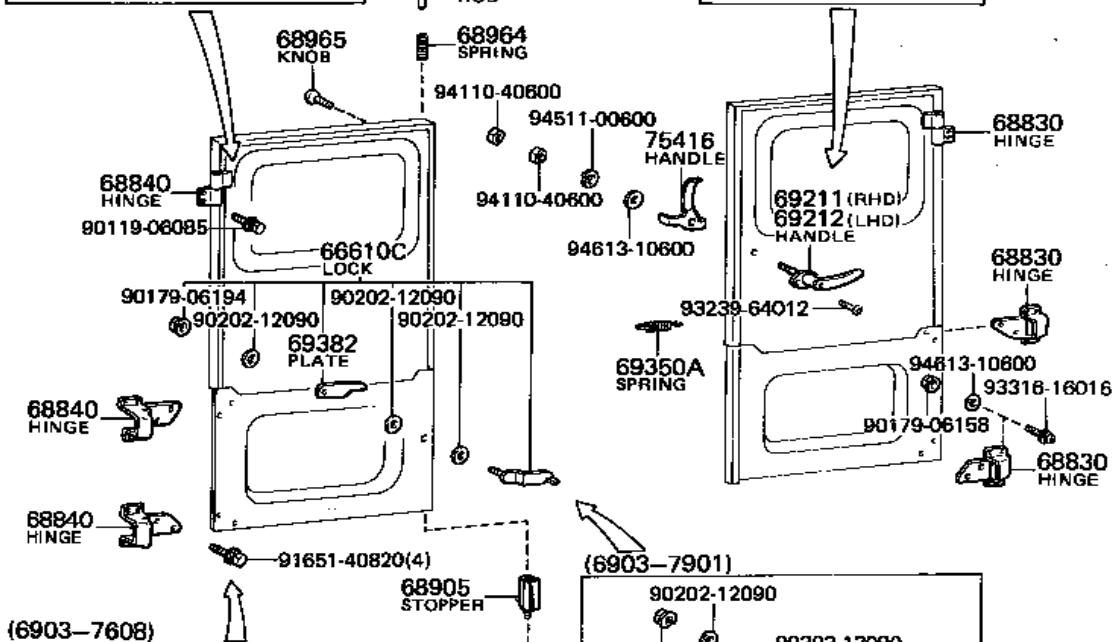
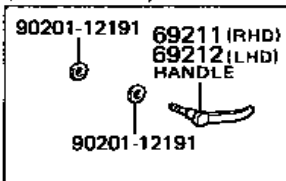
64923
CUSHION



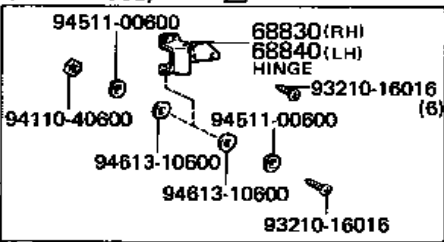
(6903-7203)



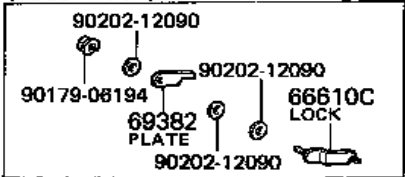
(6903-7709)



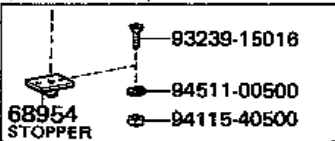
(6903-7608)

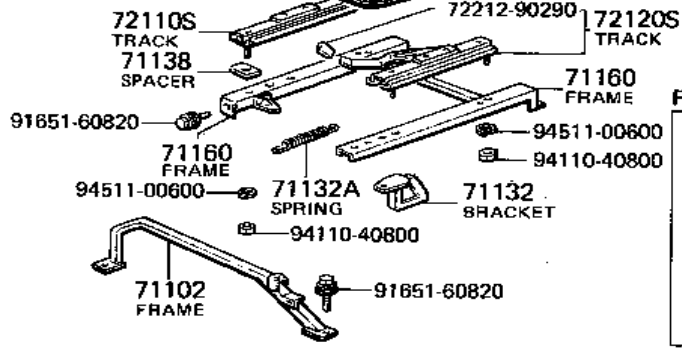
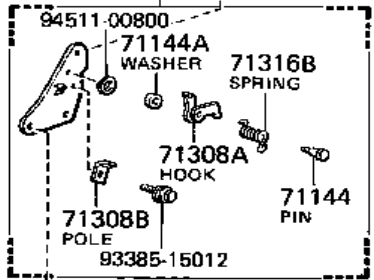
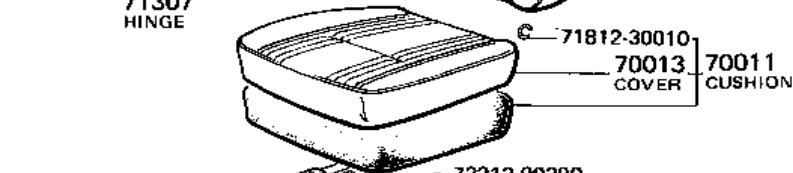
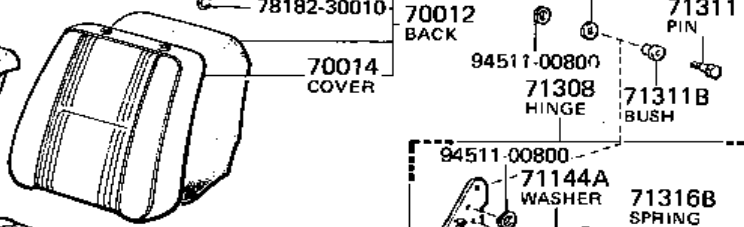
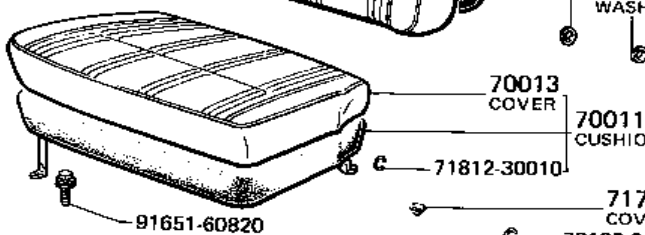
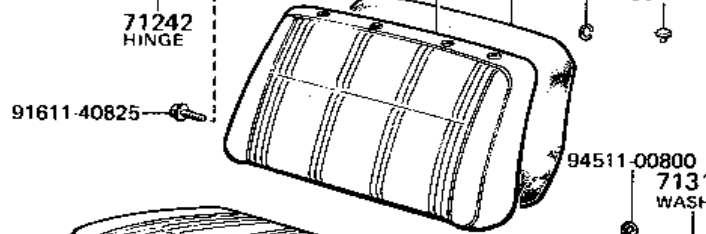
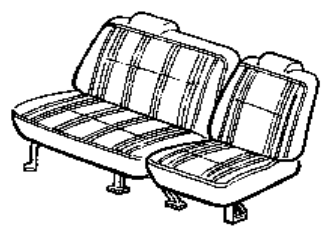
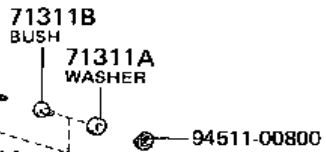
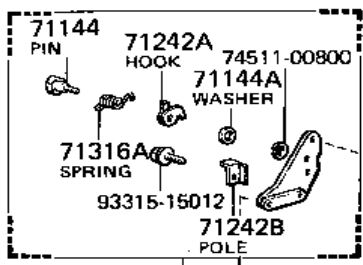


(6903-7901)

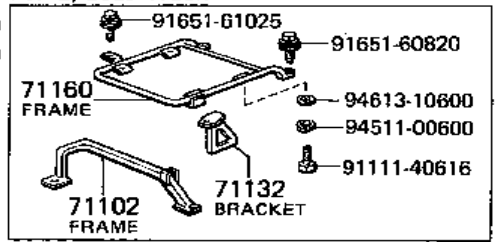


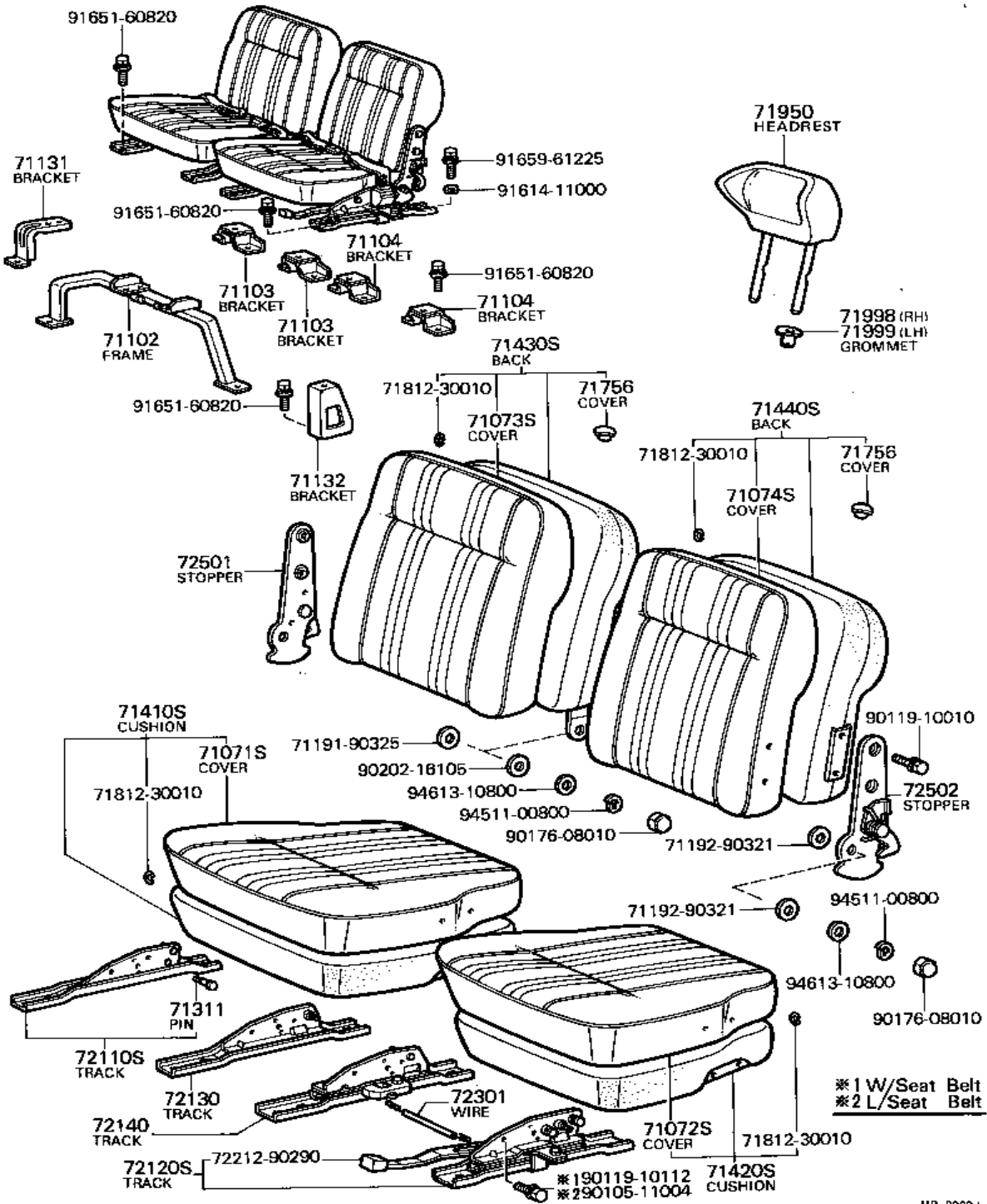
(6903-7312)



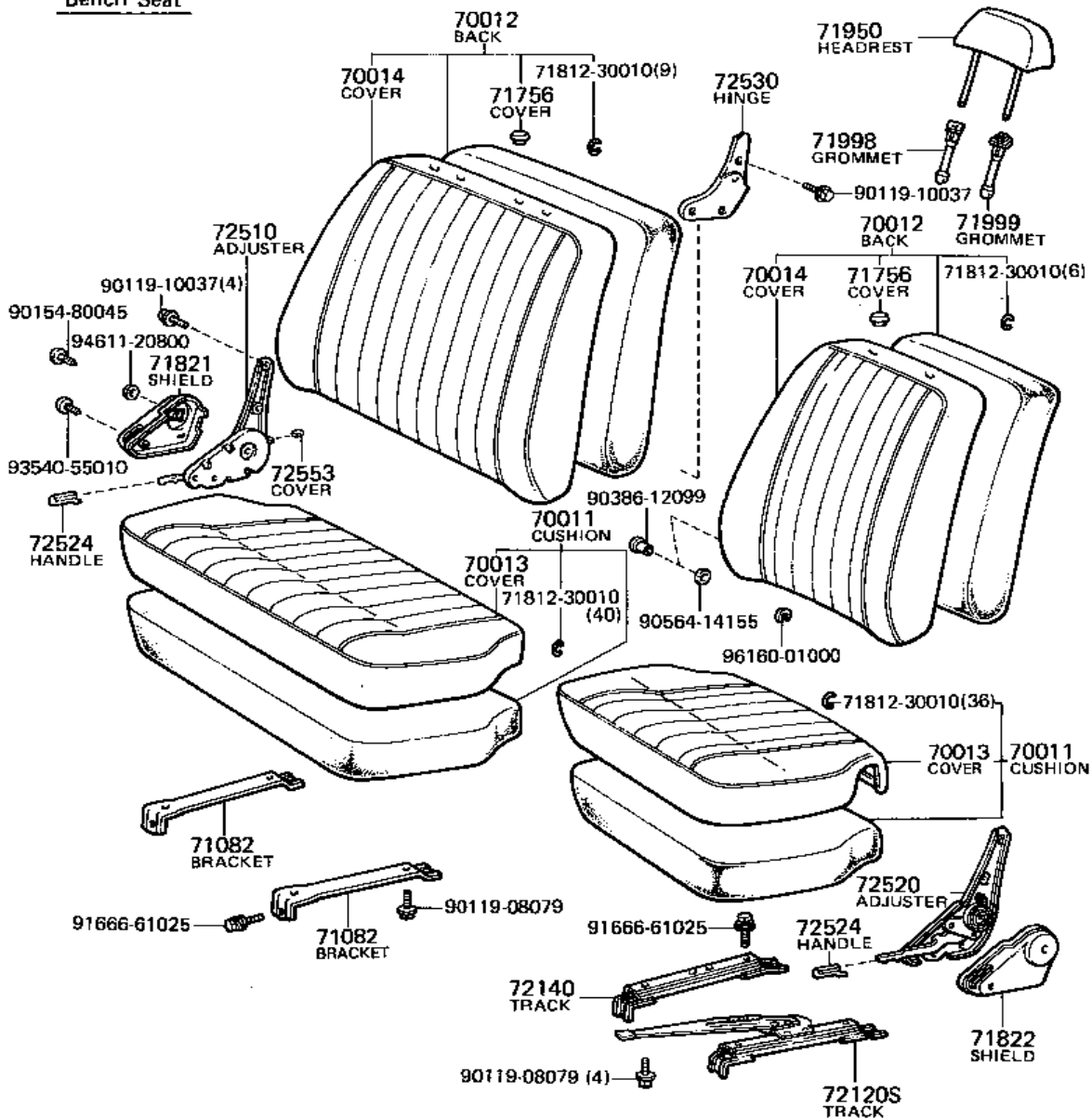


For L/Seat Track

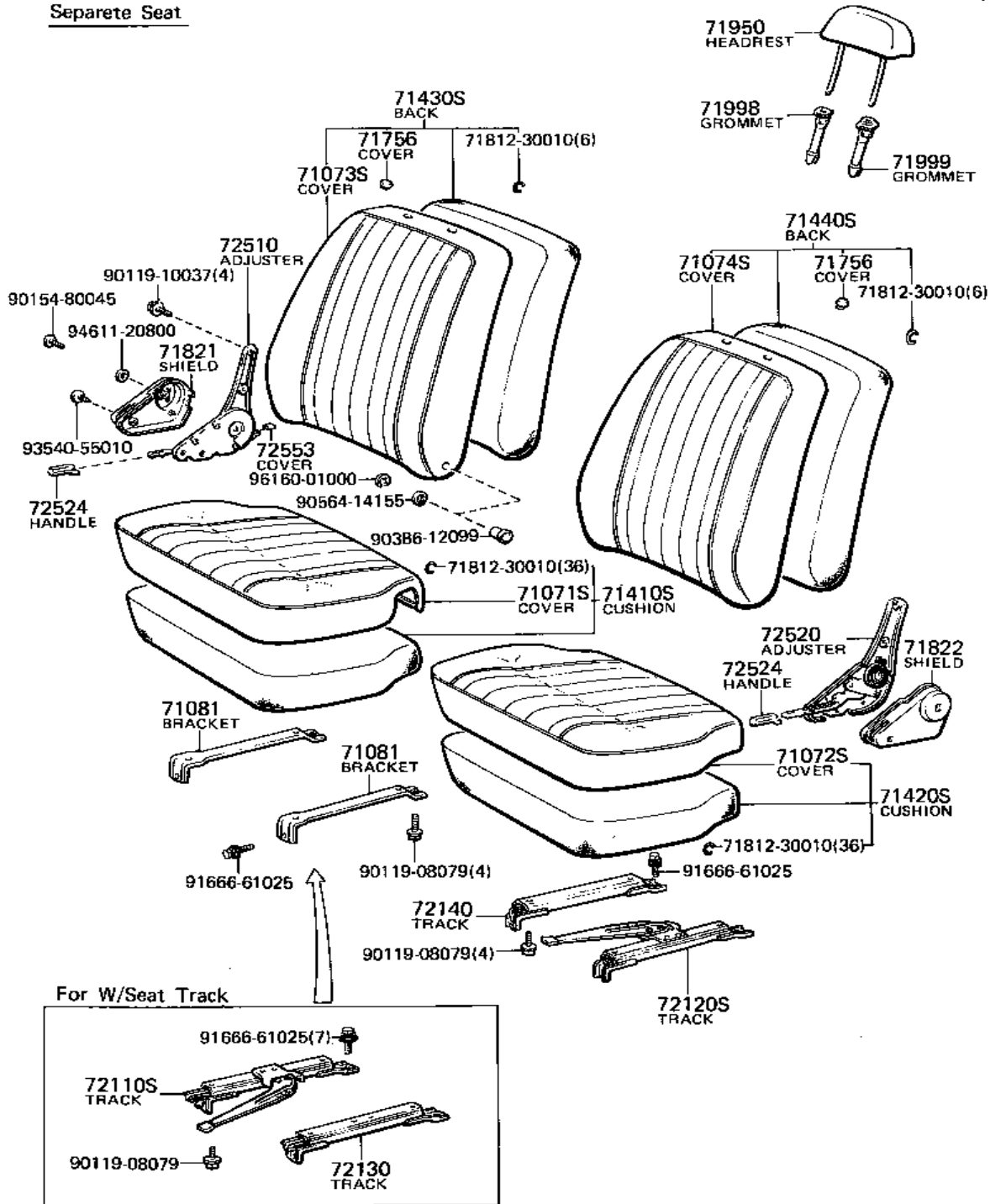




Bench Seat

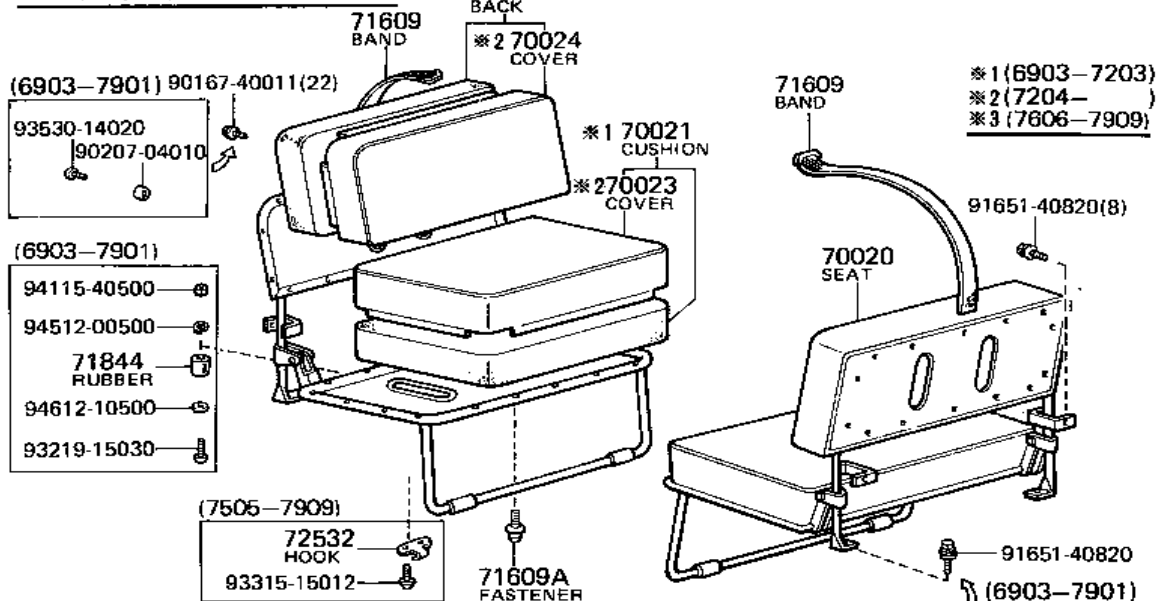


Separate Seat

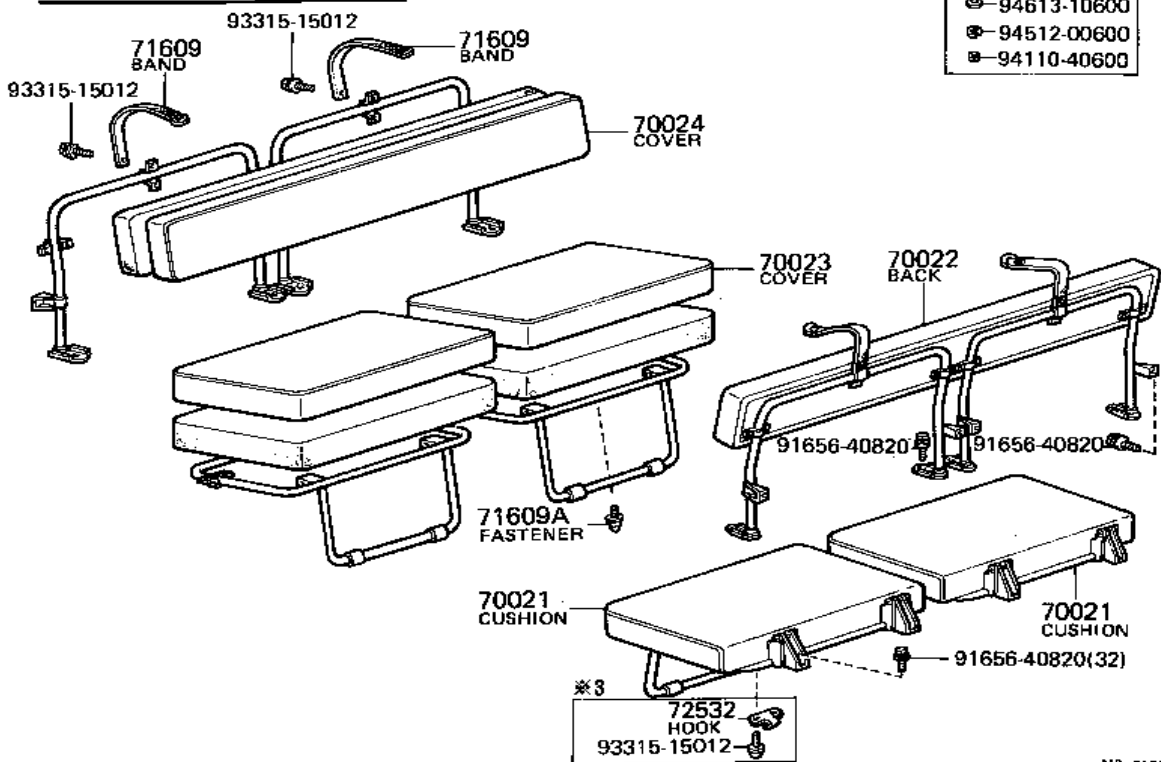


Rear Side Seat

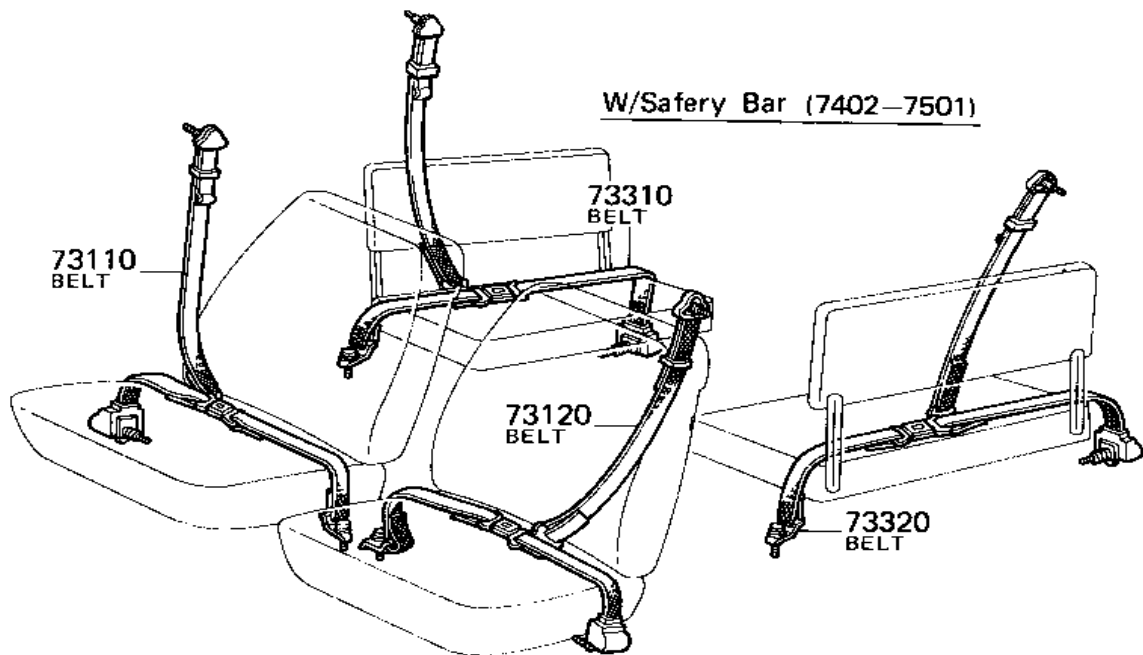
FJ40, 42, 43, BJ4= (6903-) *1 70022



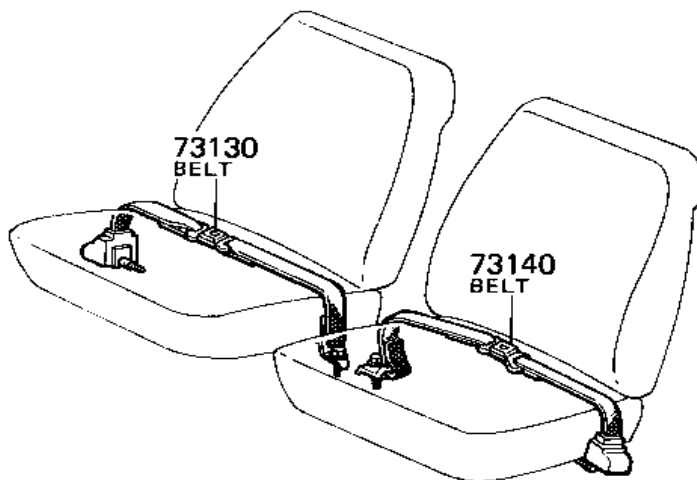
FJ45, HJ45, V, TP (7606-)

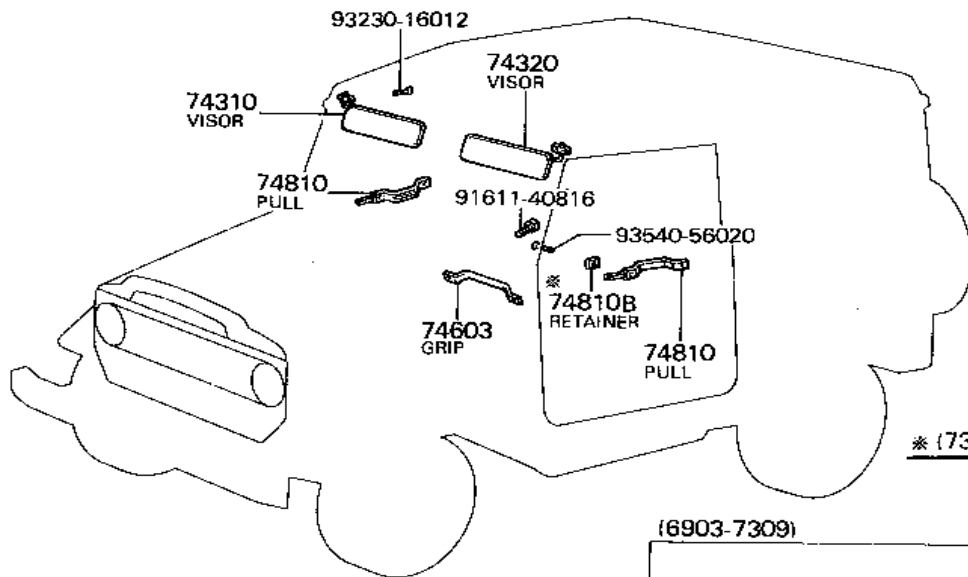


3 Point Type



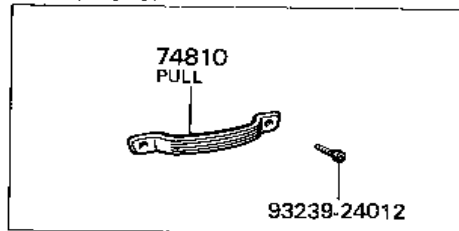
Lap Type





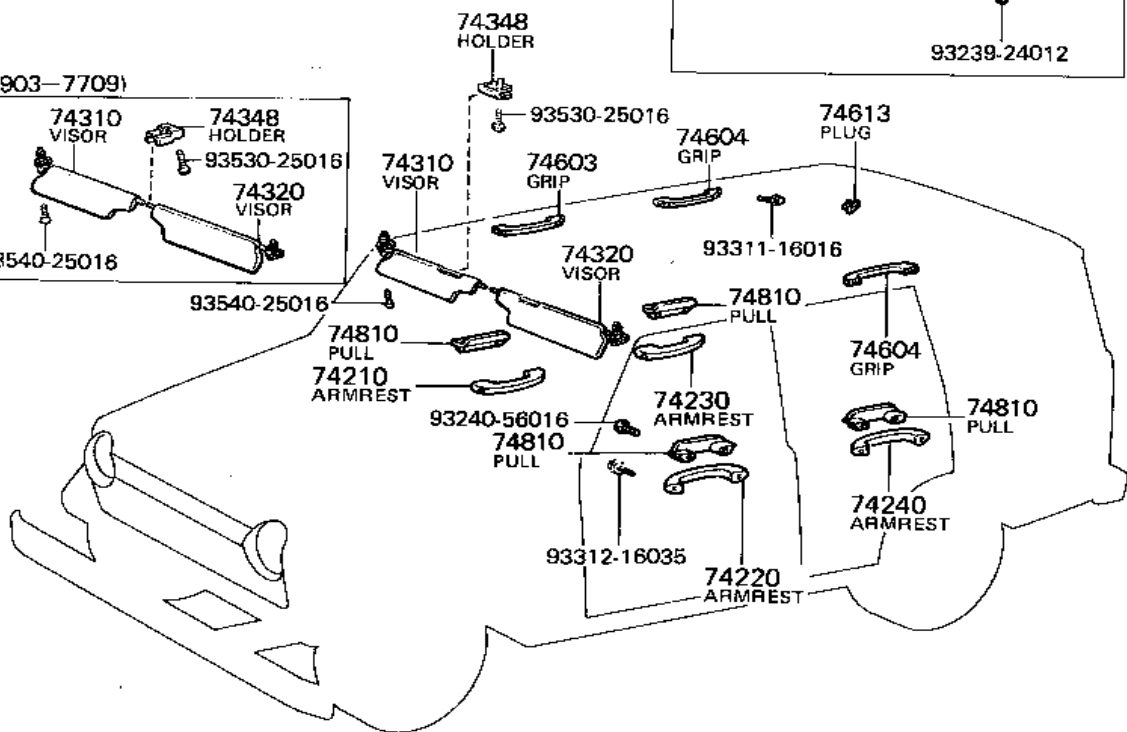
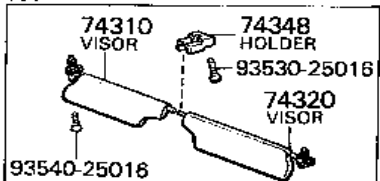
*(7309-7509)

(6903-7309)

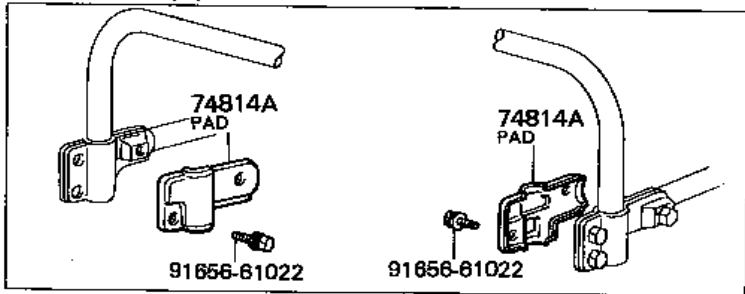


FJ55

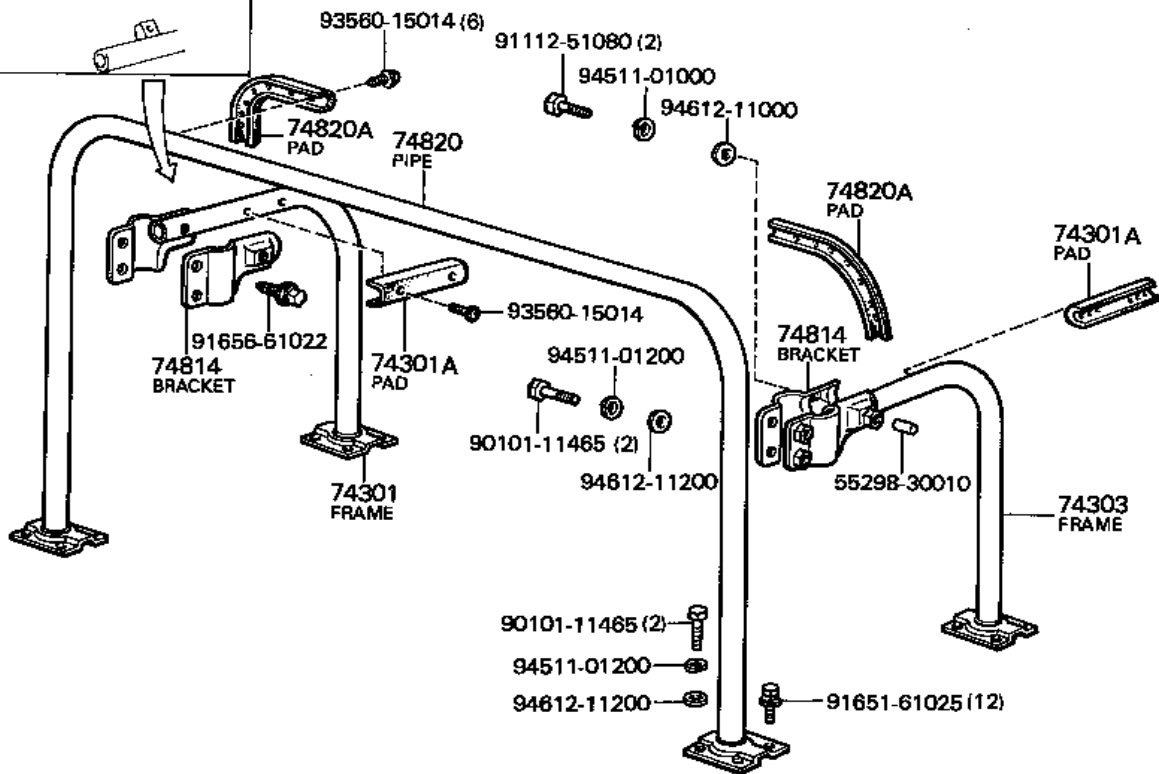
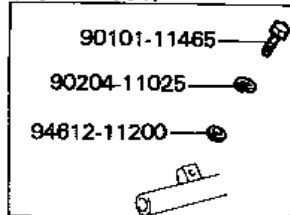
(6903-7709)



For 3 Point Tyep (7901—)

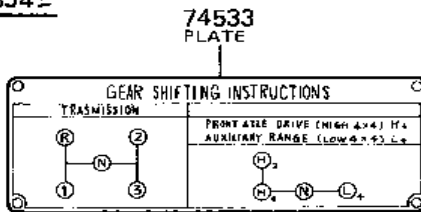


(7309-7901)

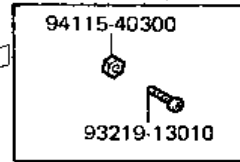


FJ4#, HJ45, BJ4 =

3F



(6903-7701)

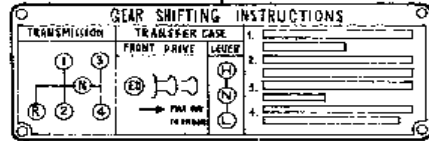
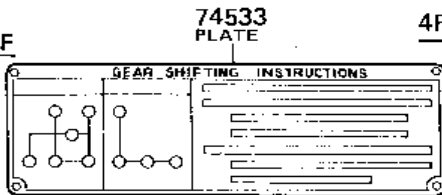


93219-13010

4F (FRONT DRIVE)

74533 PLATE

4F

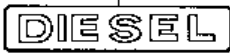


BJ4#, HJ45(7909-)

BJ4#(7402-7909)

HJ45 (7204-7909)

74548 PLATE



74548 PLATE



74548 PLATE

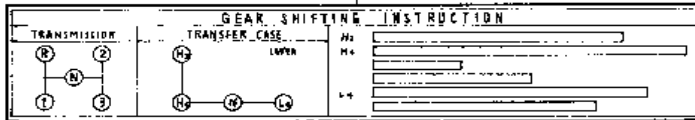


FJ55

FJ45, HJ45..EUR(7901-)

3F

74533 PLATE



74582 PLATE

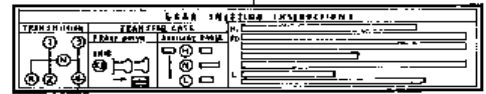


4F

74533 PLATE

4F (FRONT DRIVE)

74533 PLATE



FJ55..ARL

74541 PLATE



FJ40..ARL

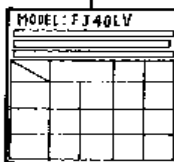
74562 PLATE



(7507-7709)

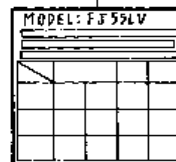
FJ40

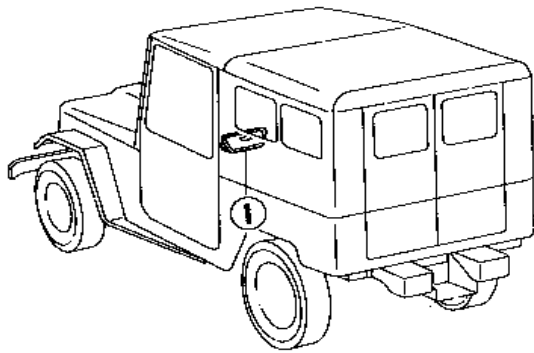
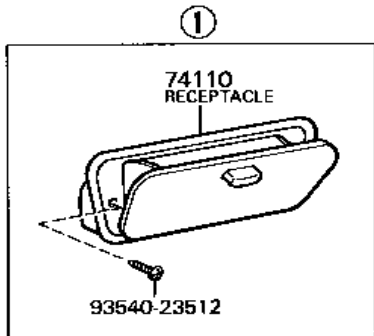
74552 PLATE



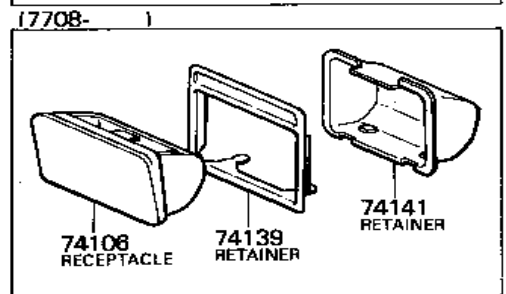
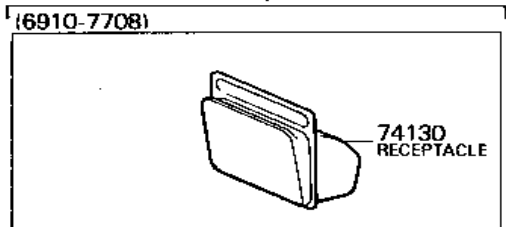
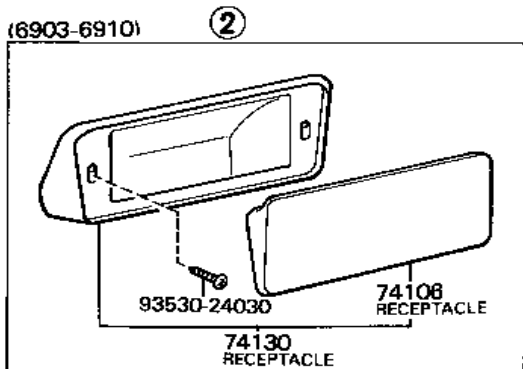
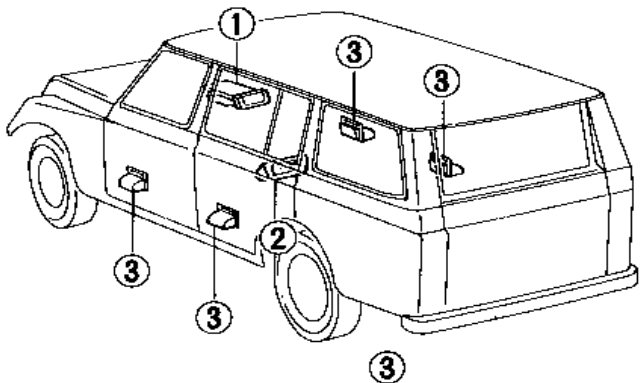
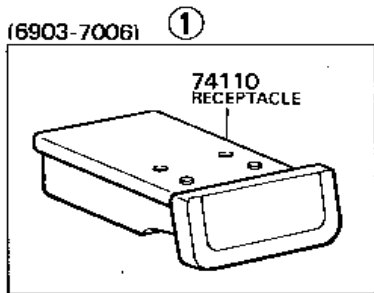
FJ55

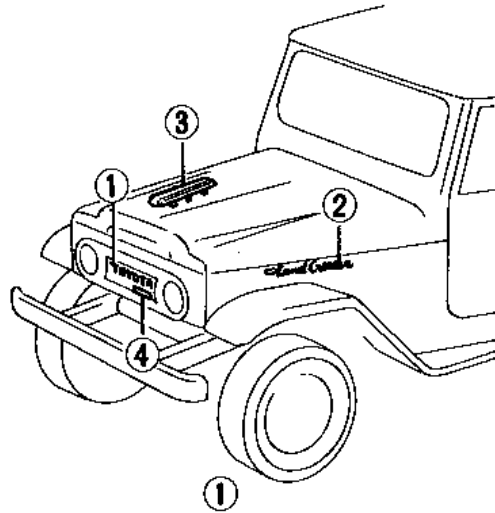
74552 PLATE



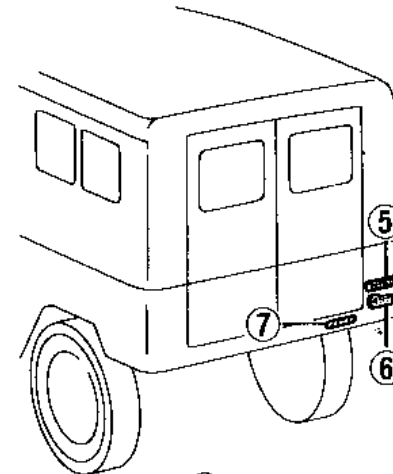
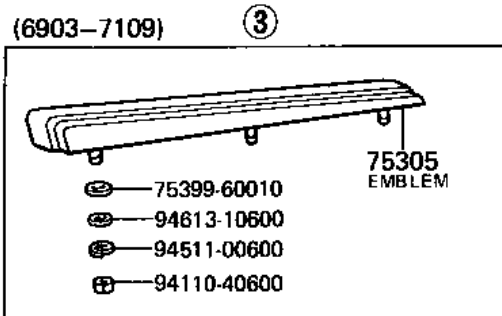
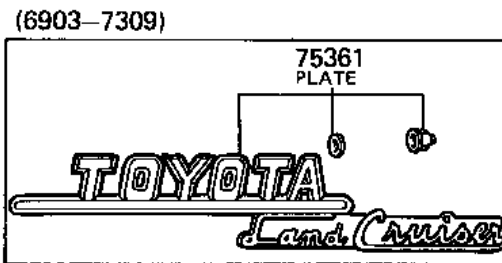
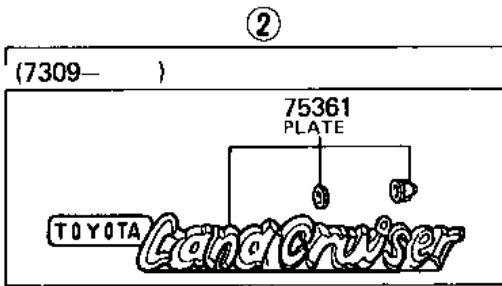
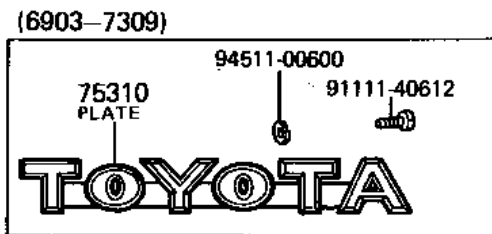
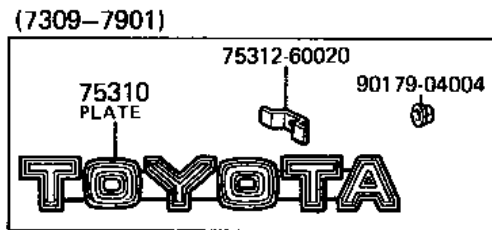
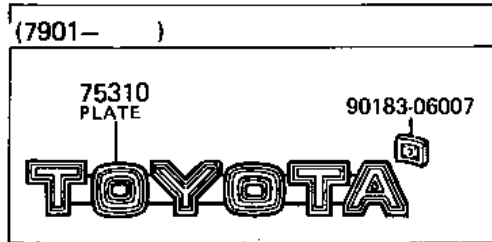


FJ55

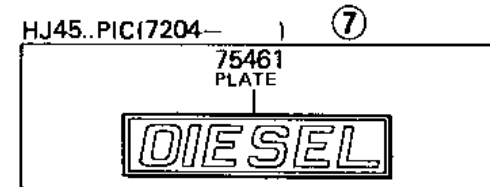
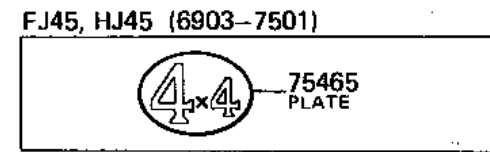
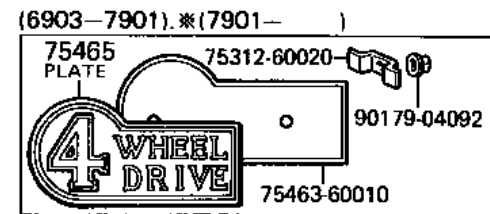
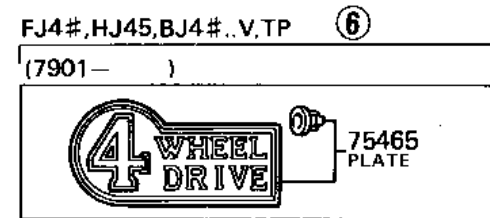
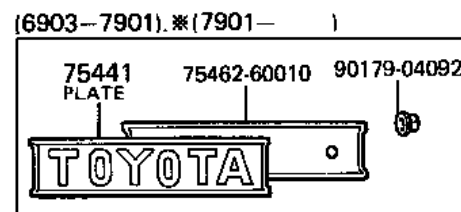
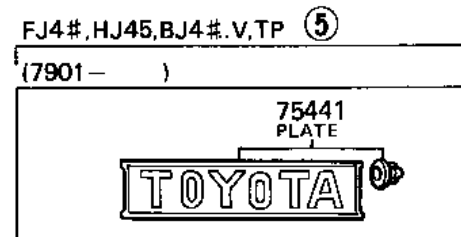
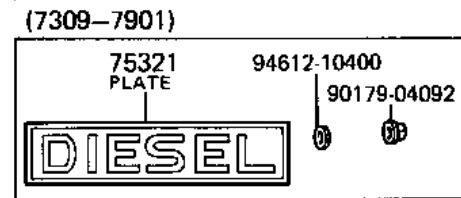
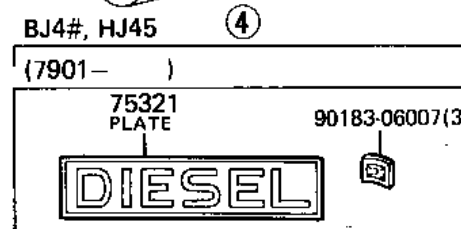




①

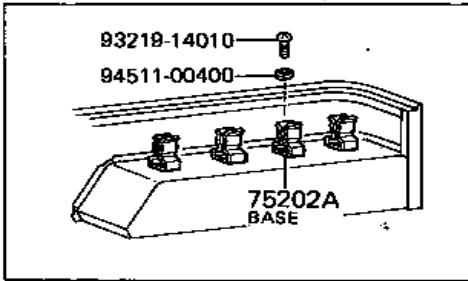


④

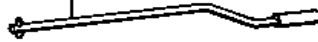


* For License Plate Position LH.

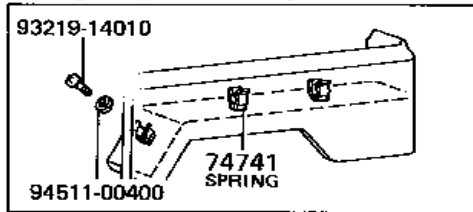
FJ40, 42, 43 (6903-6909)



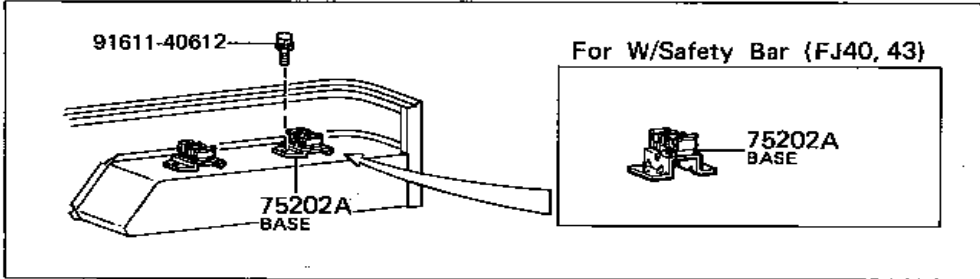
52177
HANDLE



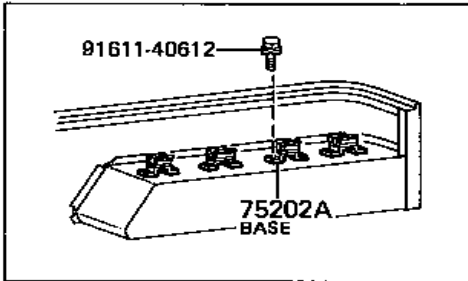
FJ40, 43 (6903-7901)



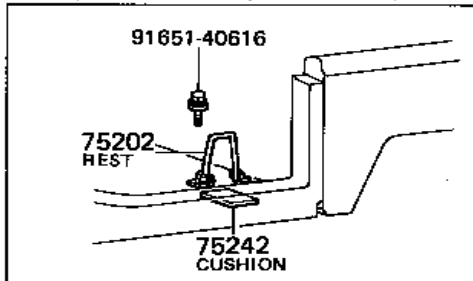
FJ40, 42, 43, BJ40 (6909-7901)



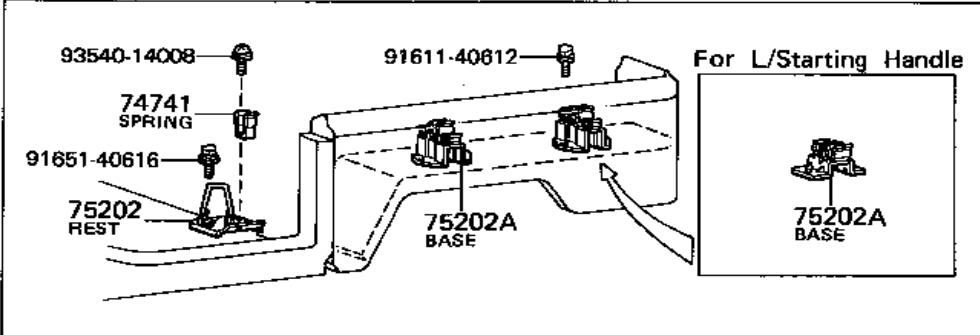
FJ43, BJ43 (6909-7901)

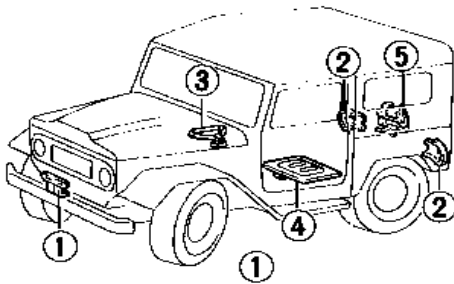


FJ45, HJ45 . . PIC (7901-)



FJ4#, HJ45, BJ4# . . V, TP (7901-)





(7604-)

75111
BRACKET



91111-40816

90179-08146

(6903-7604)

75111
BRACKET



91111-40816

94512-00800

94110-40800

(6903-7309)

75135 (RH)
75136 (LH)
BRACKET



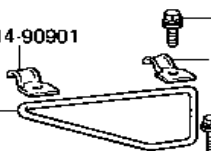
91651-40820

②

③

(7807-)

75214-90901
75217
BAND



91651-40612

75214-90301

91651-40612

75216
BRACKET

(7509-7807)

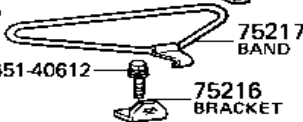
75214-90301

91651-40612

75214-90301

91651-40612

91651-40612



75217
BAND

75216
BRACKET

(6903-7509)

75217
BAND



91651-40612

FJ40, 42, 43 (6903-7209)

75273
PACKING

75272
PACKING

75208
CATCH



75204
DOOR

75272
PACKING

75273
PACKING

75208
CATCH

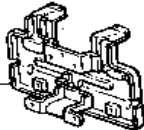
93219-14008

④

*(7402-7901)

FJ4#, HJ45, BJ4# .V, TP (7402-)

75102
BRACKET

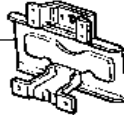


90119-06083(5)

91651-40612

FJ40, 42, 43, BJ4# (6903-7402)

75102
BRACKET

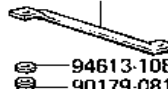


91651-40612

FJ45, HJ45, PIC (7309-)

91111-40820

75126
STAY



91111-40820

90179-08146

75123
BRACKET

91111-40816

94613-10800

90179-08146

90179-08146

FJ45, HJ45 (6903-7309)

94110-40800

94512-00800

94512-00800

94110-40800

91111-40820

94613-10800

94512-00800

94512-00800

91111-40820

91111-40820

91111-40820

75122
STAY

75123
BRACKET

94611-10800

91111-40816

75126
STAY

91111-40816

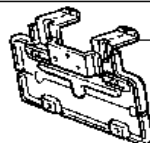
94613-10800

94512-00800

94110-40800

FJ55

75102
BRACKET



91651-40620

